

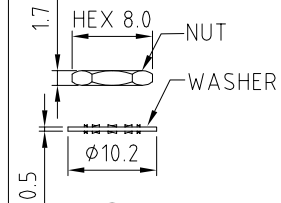
CABLE 395 RF: I-PEX MHF + RP SMA RIGHT ANGLE BULKHEAD JACK WITH O-RING RATED TO IP67/68 + MULTIPLE CABLE SIZES, 6GHz

SPECIFICATIONS :

1. I-PEX MHF PLUG, P/N: FOR RG178 CABLE: 20278-112R-18, FOR  $\phi$ 1.13MM CABLE: 20278-112R-13.
2. COAXIAL CABLE, SEE P/N OPTION FOR DETAIL.
3. RP SMA RIGHT ANGLE BULKHEAD JACK WITH O-RING RATED TO IP67/68, GOLD PLATED, P/N:  
FOR RG178 CABLE: RFCT-SMA077-F78.  
FOR  $\phi$ 1.13MM CABLE: RFCT-SMA078-F13.

USAGE PRECAUTIONS: CABLES USING 'MICRO' COAX ARE DELICATE:

- (i) HANDLE WITH CARE.
- (ii) DO NOT TWIST; APPLY EXCESSIVE FORCES OR SHARP BENDS TO THE CABLE. DO NOT FORCEFULLY DEFORM WIRES.
- (iii) CONSULT CONNECTOR MANUFACTURER'S DATASHEETS FOR DETAILED NOTES ON HANDLING INSTRUCTIONS.

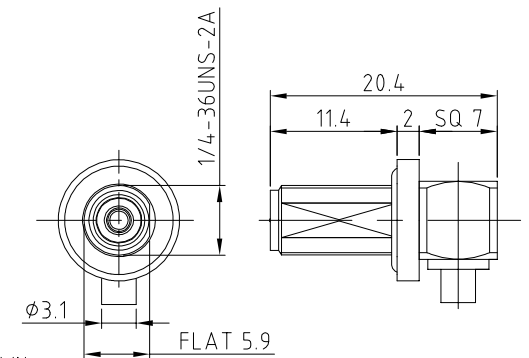
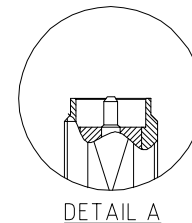
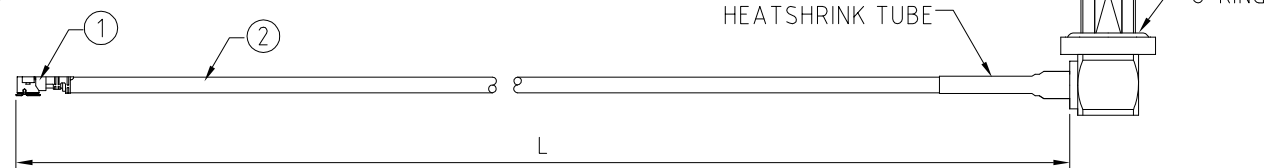


ENVIRONMENTAL:

- A. BULKHEAD MOUNTED CONNECTOR (RFCT-SMA077-F78/ RFCT-SMA078-F13) RATED TO THE FOLLOWING SPECIFICATION:
- i. IP6X - DUST TIGHT - NO PARTICLE INGRESS.
  - ii. IPX7 WATERPROOF FOR 30 MINUTES UP TO 1 METER UNDERWATER.
  - iii. IPX8 WATERPROOF FOR 48 HOURS AT 1 METER UNDERWATER.

NOTES:

1. THE ORIENTATION OF CONNECTORS ON DRAWING IS FOR REFERENCE ONLY, IF THE ORDER IS LEFT BLANK THE CONNECTOR WILL NOT HAVE FIXED ORIENTATION.
2. FIXED ORIENTATION IS SUGGESTED FOR CABLE LENGTH 50MM TO 100MM. PLEASE SPECIFY THE FIXED ORIENTATIONS FROM THE ORDER CODE (F1, F2, ETC)
3. CONTACT GRADCONN IF THE ORIENTATION YOU REQUIRE IS NOT SHOWN.
4. WORKING FREQUENCY RANGE: DC-6GHz.
5. OPERATING TEMPERATURE: -40°C TO +85°C
6. IMPEDANCE: 50 OHM.



HOW TO ORDER

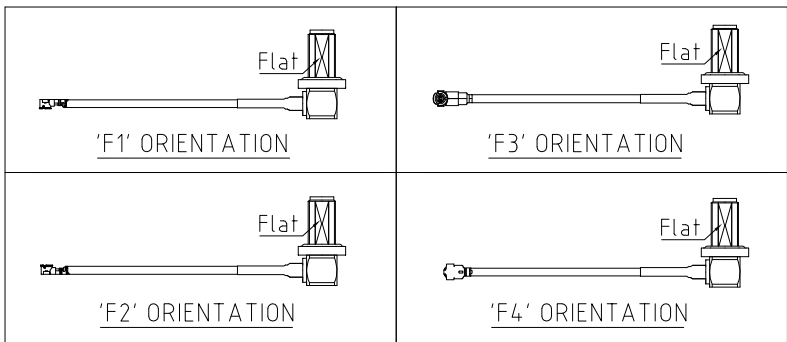
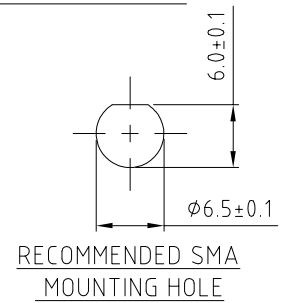
CABLE 395 RF - XXX - XX - X - X

"L" LENGTH IN MM:  
eg: 100MM = 100  
(MIN. 050-MAX.400  
STANDARD = 100, 150, 200)  
Tolerance: 50-200mm:  $\pm$ 5mm.  
201-400mm:  $\pm$ 7mm.

CABLE SIZE:  
1 = RG178 CABLE, COLOR: BROWN  
2 =  $\phi$ 1.13MM CABLE, COLOR: GRAY

WASHER AND NUT OPTIONS:  
BLANK = SEPARATELY PACKED (STANDARD)  
A = ASSEMBLED WITH CONNECTOR

ORIENTATION OPTIONS:  
BLANK = DOES NOT HAVE A FIXED ORIENTATION  
F1 = OPPOSITE ORIENTATION (L=50-200MM)  
F2 = SAME ORIENTATION (L=50-200MM)  
F3 = LEFT CONNECTION SAME AS D-FLAT (L=50-200MM)  
F4 = LEFT CONNECTION OPPOSITE TO D-FLAT (L=50-200MM)  
(SEE NOTES 1, 2, 3 AND DIAGRAMS FOR MORE INFORMATION)



REV. DATE & DRN  
10 27/06/20 - NYW RELEASE  
11 06/05/20 - NYW  
12 03/05/20 - NYW 2  
13 03/05/20 - NYW  
14 03/05/20 - NYW  
15 03/05/20 - NYW  
16 03/05/20 - NYW  
17 03/05/20 - NYW  
18 03/05/20 - NYW  
19 03/05/20 - NYW  
20 03/05/20 - NYW  
21 03/05/20 - NYW  
22 03/05/20 - NYW  
23 03/05/20 - NYW  
24 03/05/20 - NYW  
25 03/05/20 - NYW  
26 03/05/20 - NYW  
27 03/05/20 - NYW  
28 03/05/20 - NYW  
29 03/05/20 - NYW  
30 03/05/20 - NYW  
31 03/05/20 - NYW  
32 03/05/20 - NYW  
33 03/05/20 - NYW  
34 03/05/20 - NYW  
35 03/05/20 - NYW  
36 03/05/20 - NYW  
37 03/05/20 - NYW  
38 03/05/20 - NYW  
39 03/05/20 - NYW  
40 03/05/20 - NYW  
41 03/05/20 - NYW  
42 03/05/20 - NYW  
43 03/05/20 - NYW  
44 03/05/20 - NYW  
45 03/05/20 - NYW  
46 03/05/20 - NYW  
47 03/05/20 - NYW  
48 03/05/20 - NYW  
49 03/05/20 - NYW  
50 03/05/20 - NYW  
51 03/05/20 - NYW  
52 03/05/20 - NYW  
53 03/05/20 - NYW  
54 03/05/20 - NYW  
55 03/05/20 - NYW  
56 03/05/20 - NYW  
57 03/05/20 - NYW  
58 03/05/20 - NYW  
59 03/05/20 - NYW  
60 03/05/20 - NYW  
61 03/05/20 - NYW  
62 03/05/20 - NYW  
63 03/05/20 - NYW  
64 03/05/20 - NYW  
65 03/05/20 - NYW  
66 03/05/20 - NYW  
67 03/05/20 - NYW  
68 03/05/20 - NYW  
69 03/05/20 - NYW  
70 03/05/20 - NYW  
71 03/05/20 - NYW  
72 03/05/20 - NYW  
73 03/05/20 - NYW  
74 03/05/20 - NYW  
75 03/05/20 - NYW  
76 03/05/20 - NYW  
77 03/05/20 - NYW  
78 03/05/20 - NYW  
79 03/05/20 - NYW  
80 03/05/20 - NYW  
81 03/05/20 - NYW  
82 03/05/20 - NYW  
83 03/05/20 - NYW  
84 03/05/20 - NYW  
85 03/05/20 - NYW  
86 03/05/20 - NYW  
87 03/05/20 - NYW  
88 03/05/20 - NYW  
89 03/05/20 - NYW  
90 03/05/20 - NYW  
91 03/05/20 - NYW  
92 03/05/20 - NYW  
93 03/05/20 - NYW  
94 03/05/20 - NYW  
95 03/05/20 - NYW  
96 03/05/20 - NYW  
97 03/05/20 - NYW  
98 03/05/20 - NYW  
99 03/05/20 - NYW  
100 03/05/20 - NYW

Scale: NTS	THIRD ANGLE	Unstated X XX XXX ANGLES	Tolerances: N/A N/A N/A N/A
Drawn: NYW			
App'd: XXX	Title CABLE ASSEMBLY		
Date: 24 JUL '20	Revision: 12	Unit: mm	

		Type: Cable 395 RF
IP67/68 Rated Cables	www.gradconn.com	CABLE 395 RF
© THIS DRAWING IS CONFIDENTIAL AND MUST NOT BE COPIED OR DISCLOSED WITHOUT WRITTEN CONSENT		Drawing Number:
		Sheet 1 of 1
		Drawing © E and O E