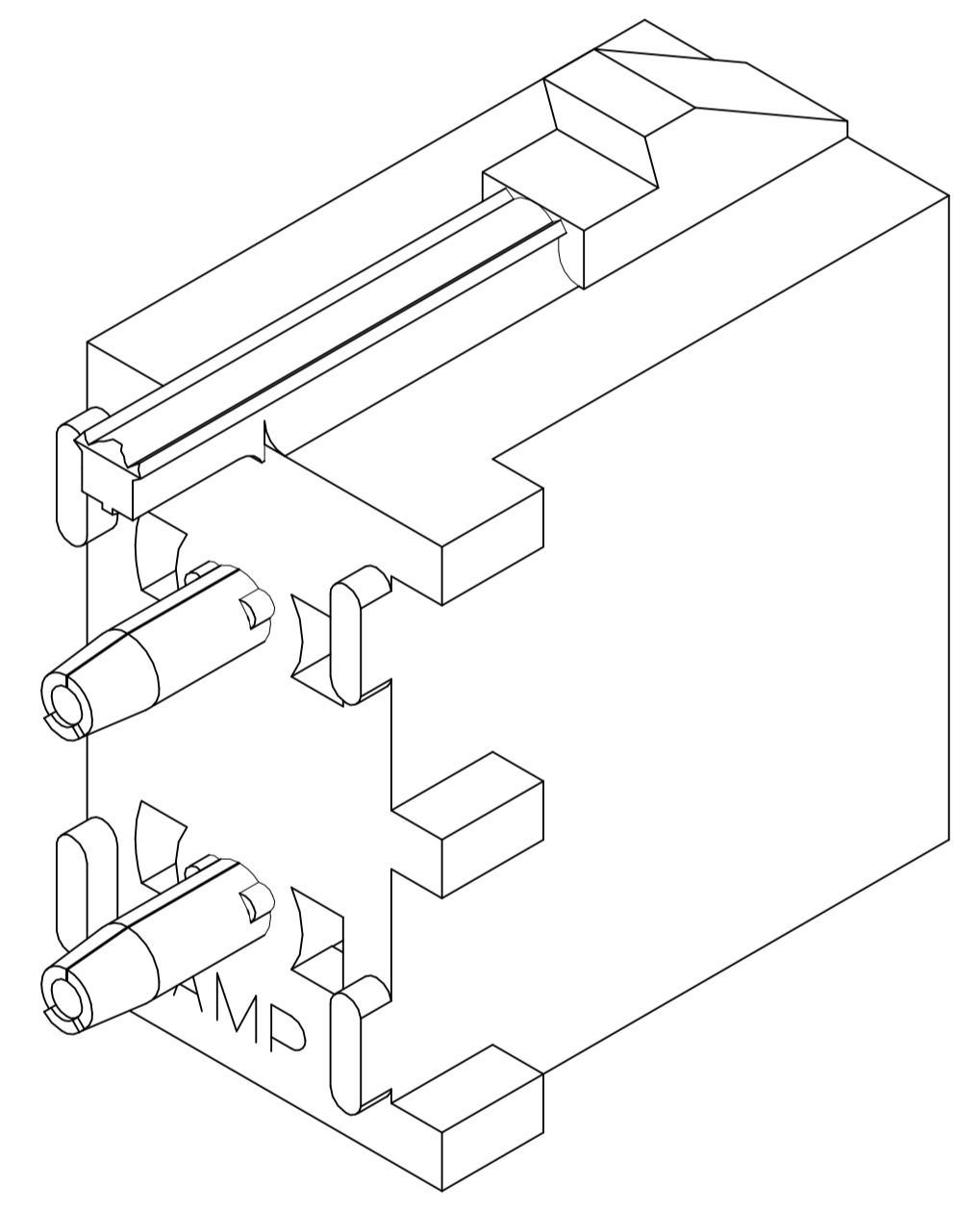
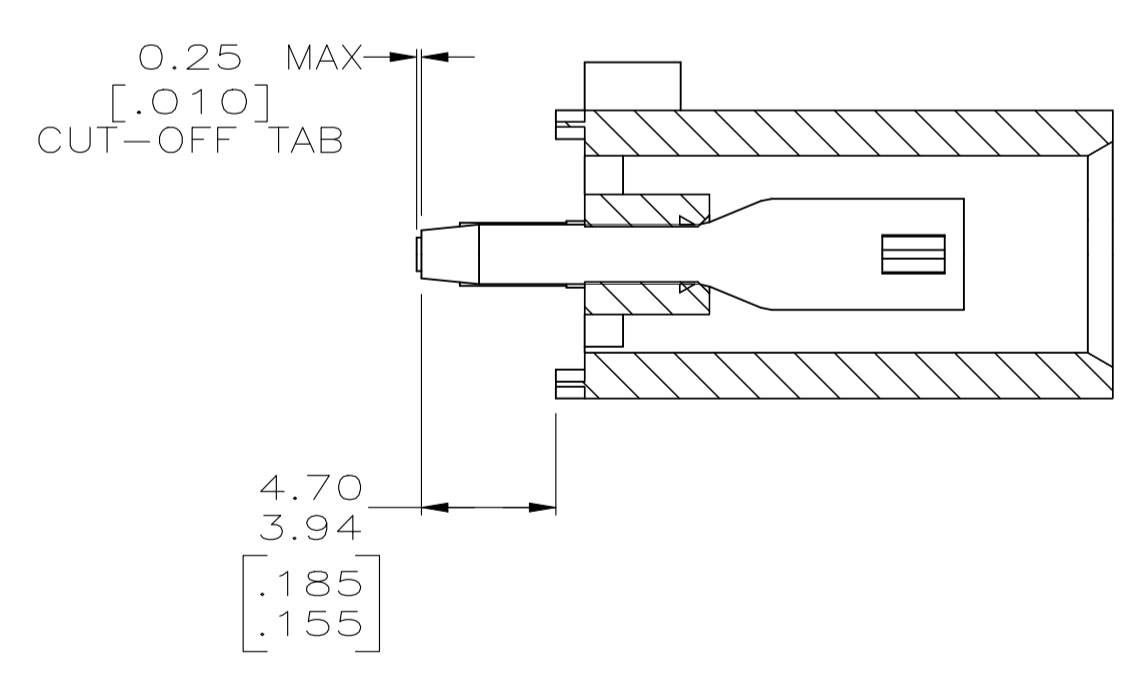
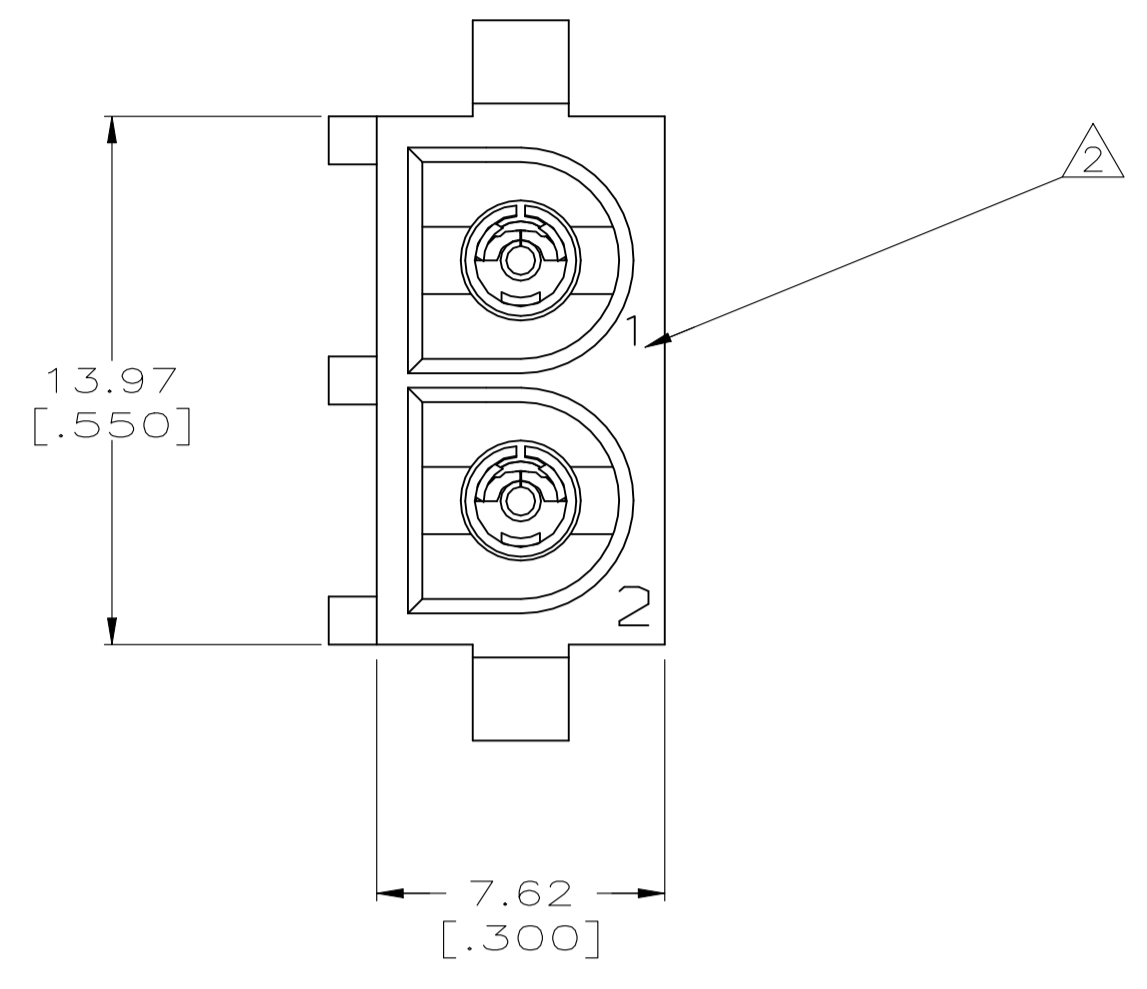
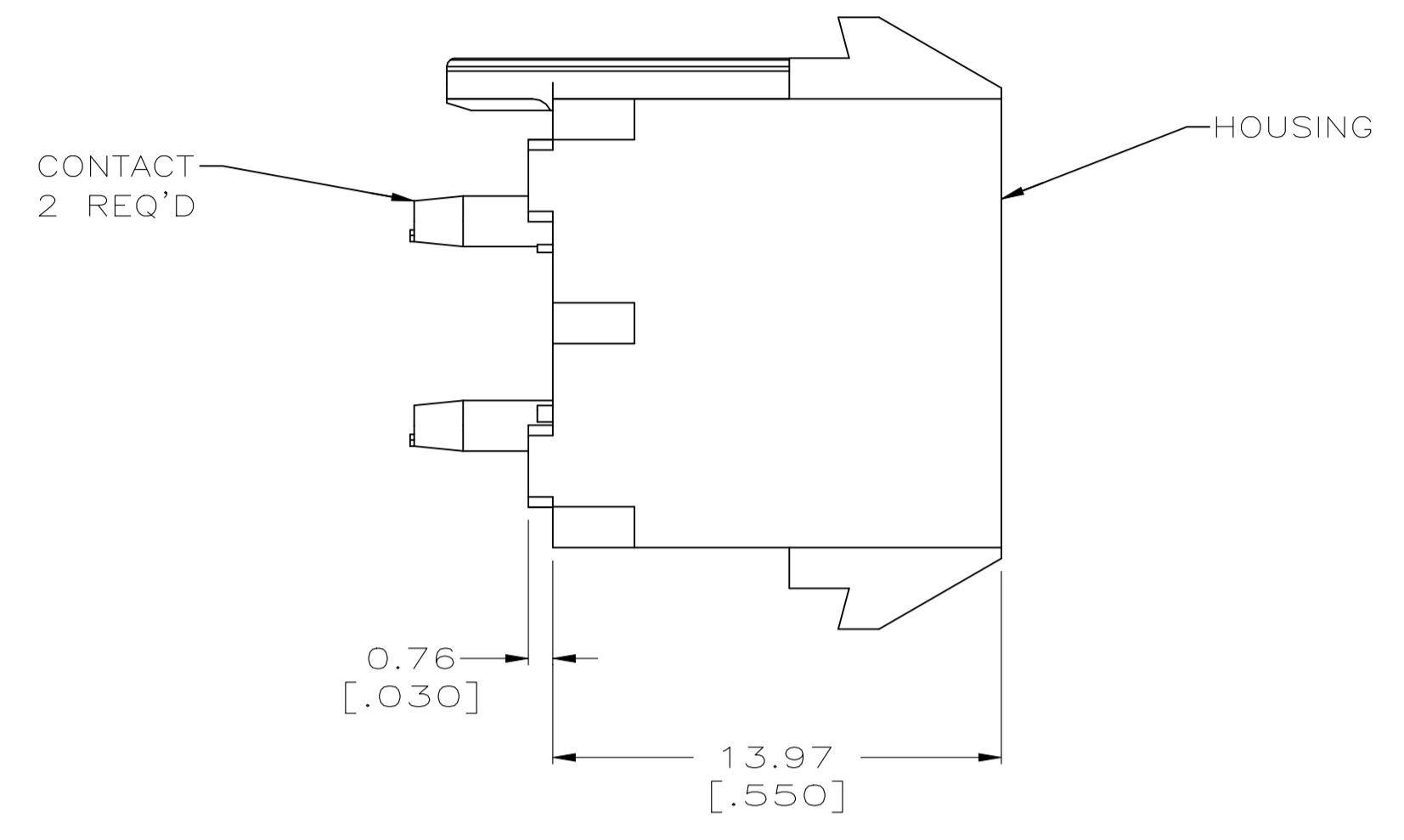
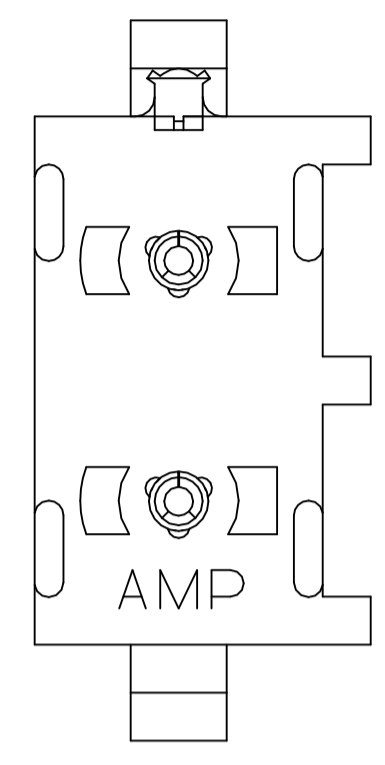
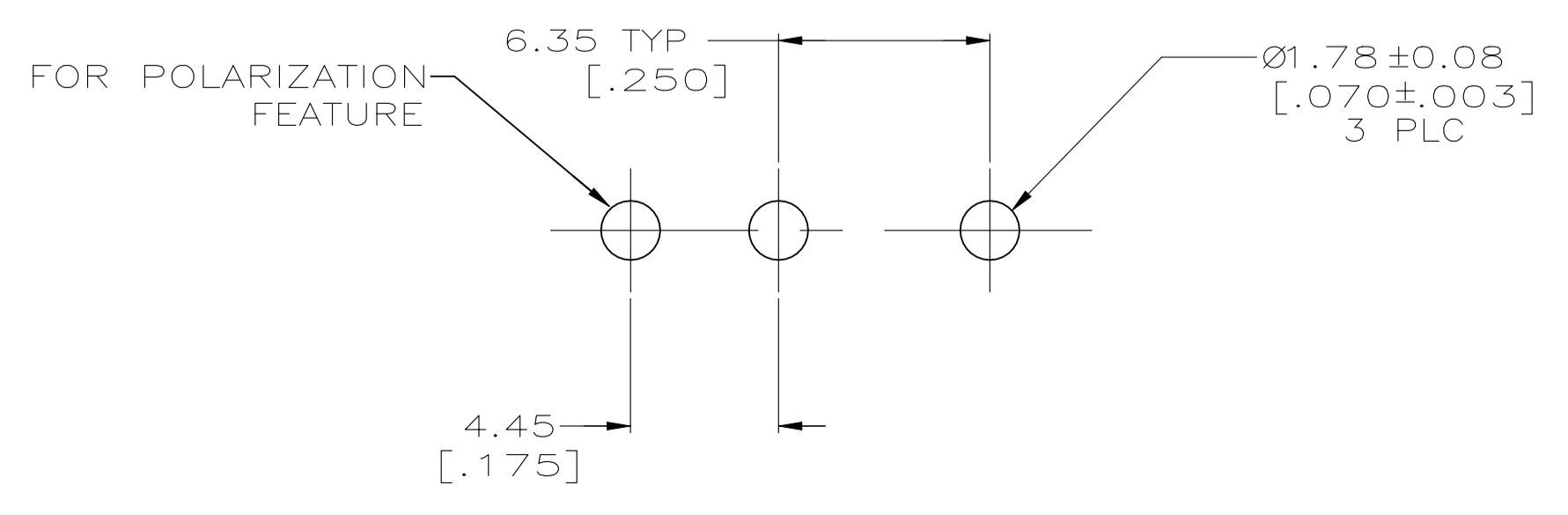


REVISIONS					
REV	DATE	DESCRIPTION	BY	CHK	APP'D
H1	01AUG2022	REVISED PER ECR-21-117154	SM	VS	

- PARTS COMPLY TO AMP SOLDERABILITY SPECIFICATION 109-11-3.
- CIRCUIT IDENTIFICATION CHARACTERS ARE ADJACENT TO THE INDICATED CAVITIES, BUT LOCATION AND ORIENTATION MAY DIFFER FROM PRINT.
- DIMENSIONS IN BRACKETS ARE IN INCHES.
- DIMENSIONS SHOWN REPRESENT PRODUCT IN DRY CONDITION. ADDITIONAL 2% GROWTH DUE TO END USE LOCATION MOISTURE ABSORPTION MAY OCCUR AND SHOULD BE ACCOUNTED FOR.



3-DIMENSIONAL MODEL NTS



RECOMMENDED MOUNTING HOLE PATTERN FOR 1.57 [.062] THICK P.C. BOARD

PHOSPHOR BRONZE, PRE-TIN PIN CONTACT MATERIAL AND FINISH	NYLON, UL94V-2,NATURAL HOUSING MATERIAL	643411-1 PART NO																								
THIS DRAWING IS A CONTROLLED DOCUMENT.																										
DIMENSIONS: mm [INCHES]	TOLERANCES UNLESS OTHERWISE SPECIFIED:	<table border="1"> <tr> <td>0 PLC</td> <td>± -</td> </tr> <tr> <td>1 PLC</td> <td>± -</td> </tr> <tr> <td>2 PLC</td> <td>± 0.13 [.005]</td> </tr> <tr> <td>3 PLC</td> <td>± -</td> </tr> <tr> <td>4 PLC</td> <td>± -</td> </tr> <tr> <td>ANGLES</td> <td>± 0° 30'</td> </tr> </table>	0 PLC	± -	1 PLC	± -	2 PLC	± 0.13 [.005]	3 PLC	± -	4 PLC	± -	ANGLES	± 0° 30'												
0 PLC	± -																									
1 PLC	± -																									
2 PLC	± 0.13 [.005]																									
3 PLC	± -																									
4 PLC	± -																									
ANGLES	± 0° 30'																									
MATERIAL SEE TABLE	FINISH SEE TABLE	<table border="1"> <tr> <td>REV</td> <td>DATE</td> <td>DESCRIPTION</td> <td>BY</td> <td>CHK</td> <td>APP'D</td> </tr> <tr> <td>H1</td> <td>07-JAN-2000</td> <td>McEACHIN</td> <td>L</td> <td></td> <td></td> </tr> <tr> <td></td> <td>07-JUN-2000</td> <td>COBLE</td> <td>K</td> <td></td> <td></td> </tr> <tr> <td></td> <td>07-JUN-2000</td> <td>COBLE</td> <td>K</td> <td></td> <td></td> </tr> </table>	REV	DATE	DESCRIPTION	BY	CHK	APP'D	H1	07-JAN-2000	McEACHIN	L				07-JUN-2000	COBLE	K				07-JUN-2000	COBLE	K		
REV	DATE	DESCRIPTION	BY	CHK	APP'D																					
H1	07-JAN-2000	McEACHIN	L																							
	07-JUN-2000	COBLE	K																							
	07-JUN-2000	COBLE	K																							
<p>METRIC</p>		<p>STE TE Connectivity</p> <p>SOCKET HEADER ASSEMBLY, POLARIZED,2 CIRCUIT UNIVERSAL MATE-N-LOK</p>																								
CUSTOMER DRAWING		<table border="1"> <tr> <td>SIZE</td> <td>CAGE CODE</td> <td>DRAWING NO</td> <td>RESTRICTED TO</td> </tr> <tr> <td>A1</td> <td>00779</td> <td>643411</td> <td>-</td> </tr> </table>	SIZE	CAGE CODE	DRAWING NO	RESTRICTED TO	A1	00779	643411	-																
SIZE	CAGE CODE	DRAWING NO	RESTRICTED TO																							
A1	00779	643411	-																							
SCALE 5:1		SHEET 1 of 1 REV H1																								