

THIS DRAWING IS UNPUBLISHED.

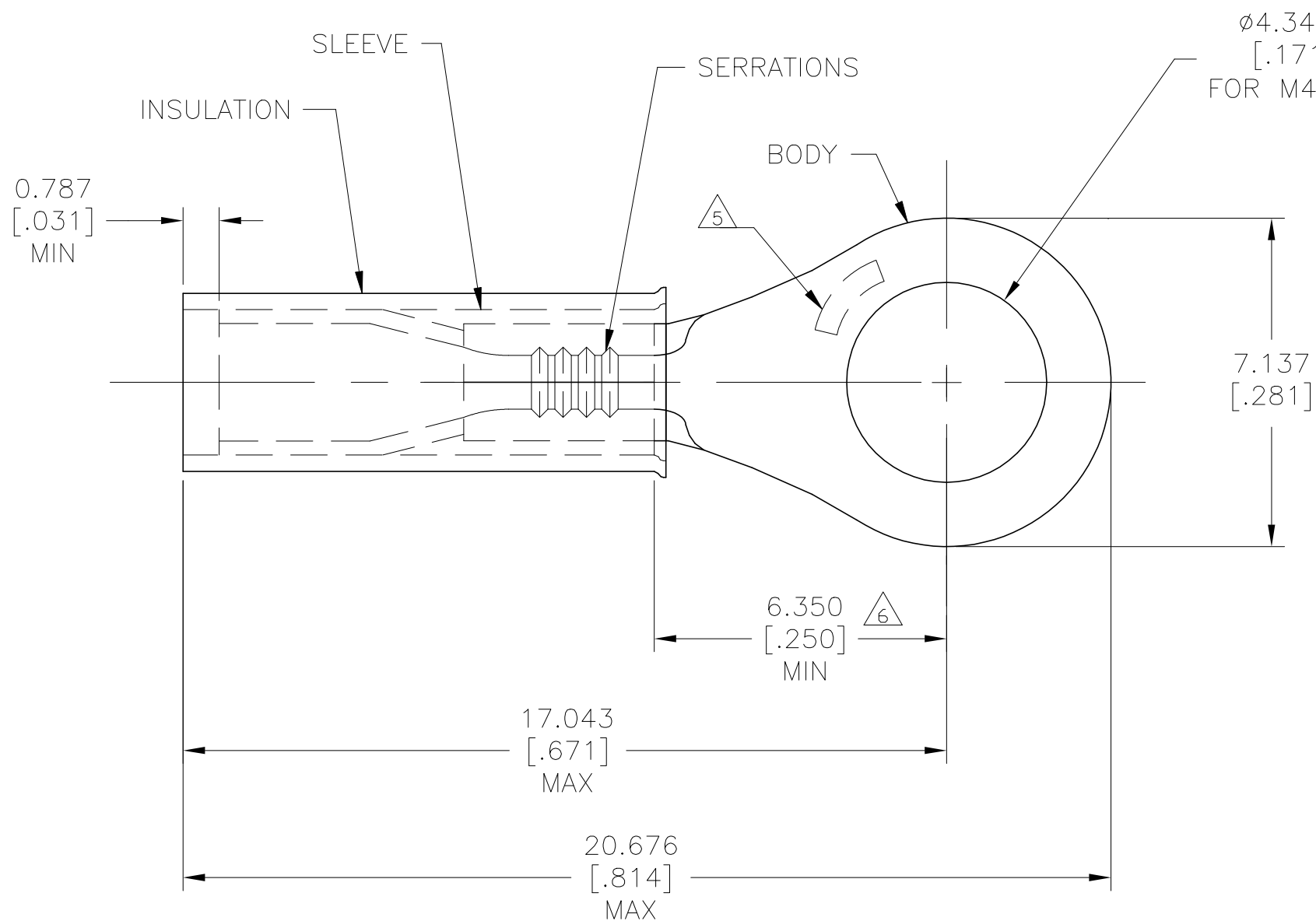
RELEASED FOR PUBLICATION

© COPYRIGHT - TE Connectivity Ltd.

ALL RIGHTS RESERVED.

REVISIONS

P	LTR	DESCRIPTION	DATE	DWN	APVD
C		REV PER 0G3A-0049-04	27JAN04	JR	TM
C1		REVISED PER ECO-19-010624	15JUL2019	RS	DR



$\phi 4.343 \pm 0.076$   
 $[\ .171 \pm .003 ]$   
 FOR M4[#8] STUD

- 1 BODY MATERIAL THK IS  $0.685 \pm 0.025$   $[\ .027 \pm .001 ]$
- 2 FOR 1.270  $[\ .050 ]$  TO 2.667  $[\ .105 ]$  WIRE INS. DIA.
- 3 MUST BE CRIMPED WITH 22-18 OR 22-16 PIDG (RED) TOOL.
- △4 MEETS MS25036-146 CLASS 1 & 2
- △5 STAMP "AMP" APPROX AS SHOWN
- △6 APPLIES FROM EDGE OF METAL WIRE BARREL TO CENTER OF STUD HOLE.
- △7 MATERIAL: BODY & SLEEVE- COPPER PER ASTM B152  
INSULATION: NYLON PER ASTM D4066, TYPE I
- △8 FINISH: BODY & SLEEVE- TIN PLATE 0.00254  $[\ .000100 ]$  MIN EXT THK PER ASTM B545  
INSULATION: COLOR YELLOW

△4	1000	LOOSE PIECE	54311-1
	QTY	PACKAGE TYPE	PART NO

AMP INCORPORATED  
 CUSTOMER SERVICE SYSTEMS

THIS DRAWING IS A CONTROLLED DOCUMENT.

DWN JR RUTH 27JAN04  
 CHK T MICHIELUTTI 27JAN04  
 APVD T MICHIELUTTI 27JAN04



FOR ADDITIONAL  
 PRODUCT INFORMATION OR  
 COPIES OF DRAWINGS  
 AND TECHNICAL DOCUMENTS

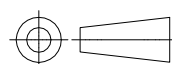
PRODUCT INFORMATION CENTER  
 1-800-522-6752

MAX RECOMMENDED OPERATING  
 TEMPERATURE:  
 105°C [221°F]

VOLTAGE RATING:  
N/A

WIRE CROSS SECTIONAL AREA RANGE,  
 0.12-0.24mm<sup>2</sup>[238-475] CIR MILS

DIMENSIONS:  
mm [INCHES]



TOLERANCES UNLESS OTHERWISE SPECIFIED:

- 0 PLC ± -
- 1 PLC ± -
- 2 PLC ± -
- 3 PLC ± 0.127[.005]
- 4 PLC ± - ± 1°

MATERIAL



FINISH



PRODUCT SPEC  
 SAE AS7928

APPLICATION SPEC  
 114-2157

WEIGHT -

CUSTOMER DRAWING

NAME  
 TERMINAL, NYLON PIDG,  
 RING TONGUE; WIRE SIZE 26-24 AWG

SIZE	CAGE CODE	DRAWING NO	RESTRICTED TO
A3	00779	C=54311	-

FOR APPLICATION  
 TOOLING ASSISTANCE CENTER

TOOLING INFORMATION  
 1-800-722-1111

FOR ORDER ENTRY  
 1-800-526-5142

SCALE 8:1 SHEET 1 OF 1 REV C1