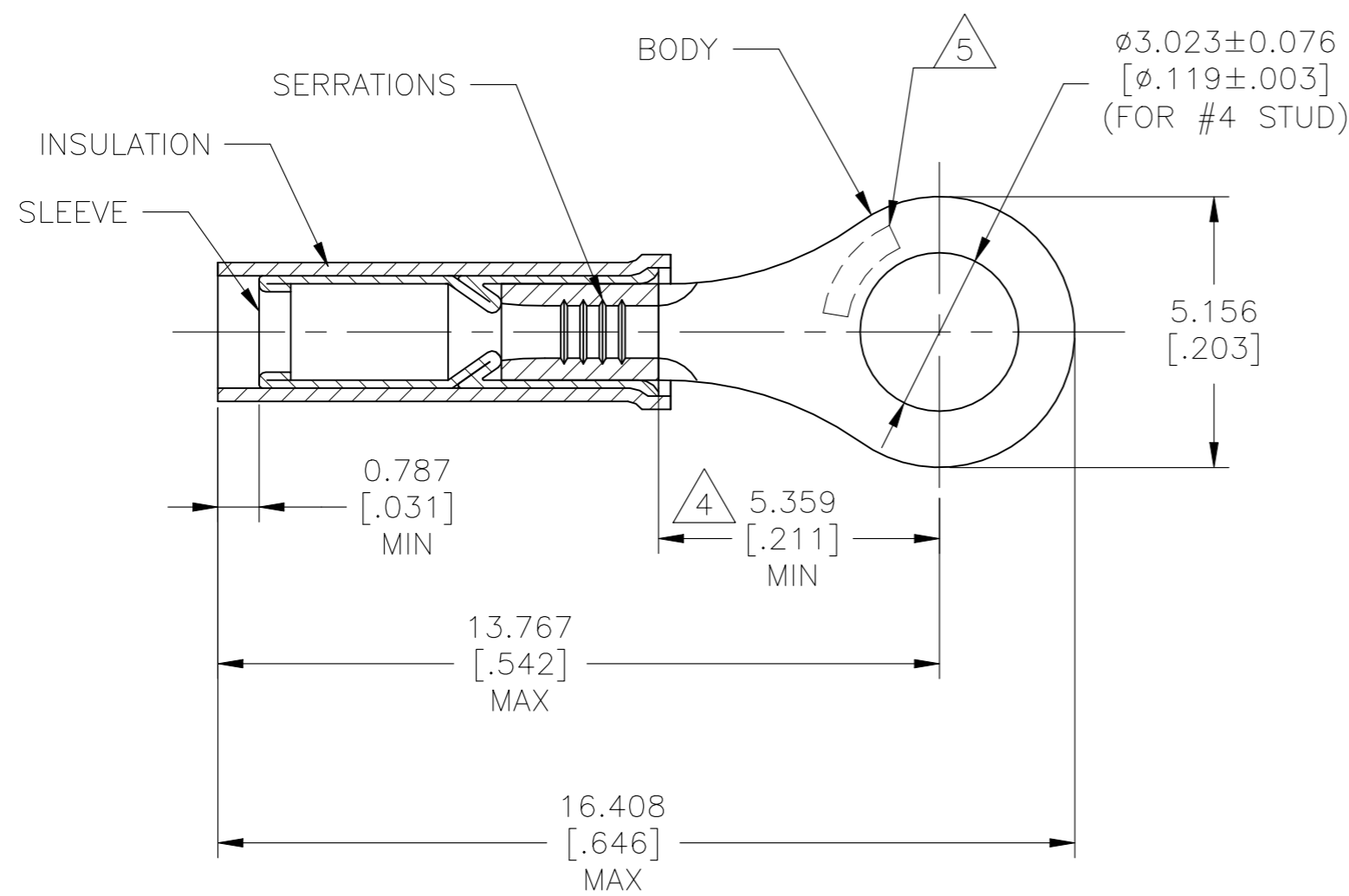


REVISIONS				
P	LTR	DESCRIPTION	DATE	APVD
G5		ECR-22-138429	19MAY2022	LP DSC

AMP
WIRE RANGE

26-24 AWG
STRANDED



- 1 MATERIAL:
BODY & SLEEVE - COPPER PER ASTM B152
INSULATION - PTFE PER ASTM D4895
- FINISH:
BODY - NICKEL PLATE 0.00762[.00030]
AVG EXT THK PER SAE AMS-QQ-N-290
SLEEVE - NICKEL PLATE 0.001651[.000065]
AVG EXT THK PER SAE AMS-QQ-N-290
INSULATION COLOR - BLACK
- 2 FOR 0.813[.032] TO 2.083[.082] WIRE
INSULATION DIA.
- 3 BODY MATERIAL THK: 0.457±0.051[.018±.002]
- 4 DIMENSION APPLIES FROM EDGE OF METAL
WIRE BARREL TO CENTER OF STUD HOLE
- 5 STAMP "AMP" APPROX AS SHOWN

1000	LOOSE PIECE	50829
QTY	PACKAGE TYPE	PART NO.

AMP INCORPORATED CUSTOMER SERVICE SYSTEMS		MAX RECOMMENDED OPERATING TEMPERATURE: 288°C [550°F]	THIS DRAWING IS A CONTROLLED DOCUMENT.		DWN 13OCT2015 NAGALAKSHMI K	STE TE Connectivity					
FOR ADDITIONAL PRODUCT INFORMATION OR COPIES OF DRAWINGS AND TECHNICAL DOCUMENTS	PRODUCT INFORMATION CENTER 1-800-522-6752	VOLTAGE RATING: 300V MAX	DIMENSIONS: mm [INCHES]	TOLERANCES UNLESS OTHERWISE SPECIFIED:	CHK 13OCT2015 MERCURIO MAURIZIO				NAME TERMINAL, RING TONGUE, PIDG, STRATO-THERM, WIRE SIZE: 26-24 AWG		
FOR APPLICATION TOOLING INFORMATION	TOOLING ASSISTANCE CENTER 1-800-722-1111	CIRCULAR MIL AREA: 0.12-0.24mm²[238-475] STRANDED WIRE ONLY		0 PLC ± - 1 PLC ± - 2 PLC ± - 3 PLC ± 0.127[.005] 4 PLC ± - ANGLES ± -	APVD 13OCT2015 MERCURIO MAURIZIO	PRODUCT SPEC	APPLICATION SPEC	SIZE	CAGE CODE	DRAWING NO	RESTRICTED TO
FOR ORDER ENTRY	1-800-526-5142		MATERIAL	FINISH		114-2162	WEIGHT	A3	00779	C-50829	
CUSTOMER DRAWING						SCALE	NTS	SHEET	1 OF 1	REV	G5