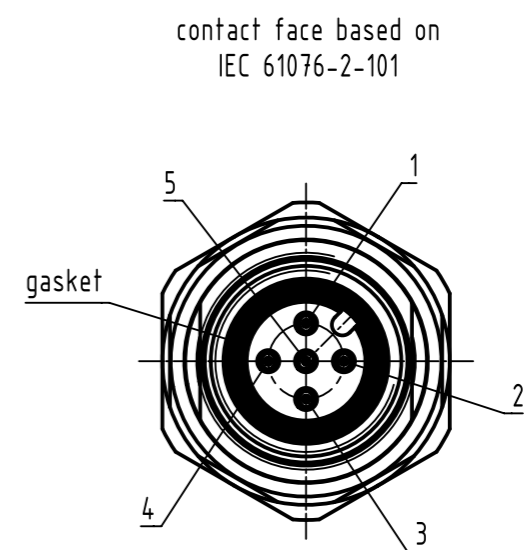
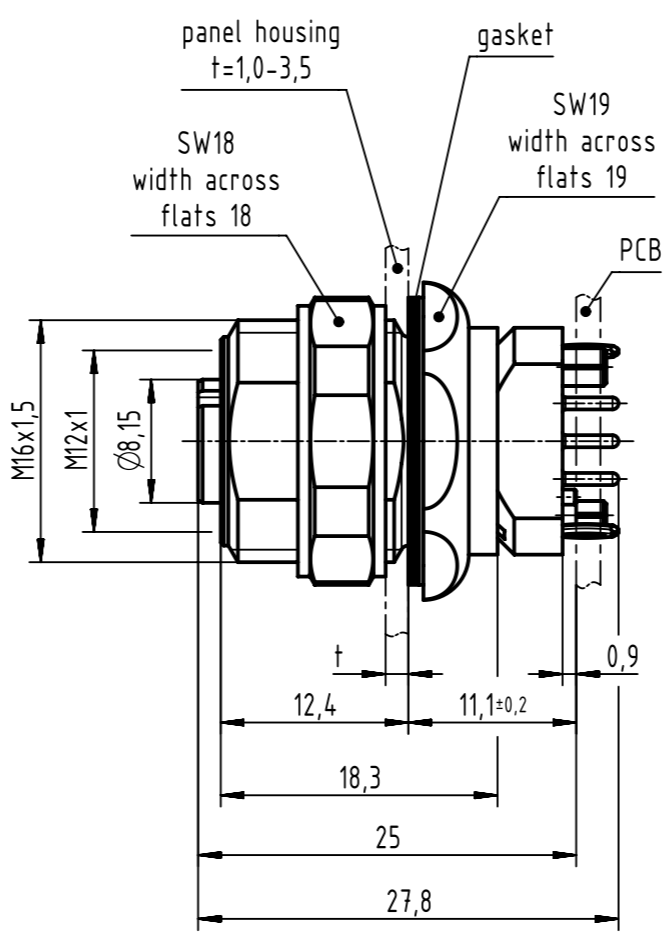
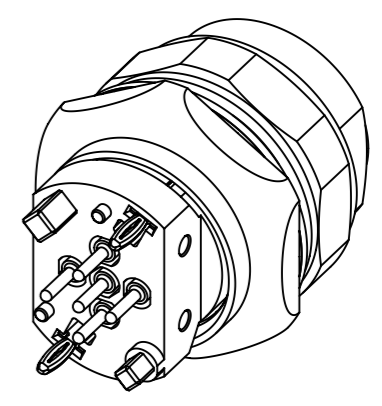
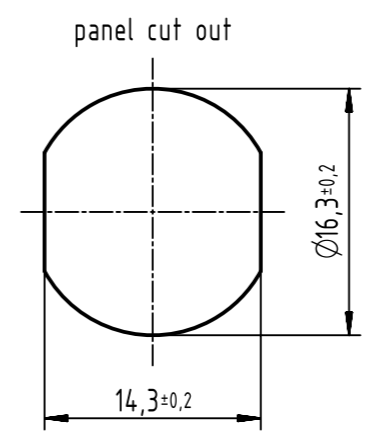
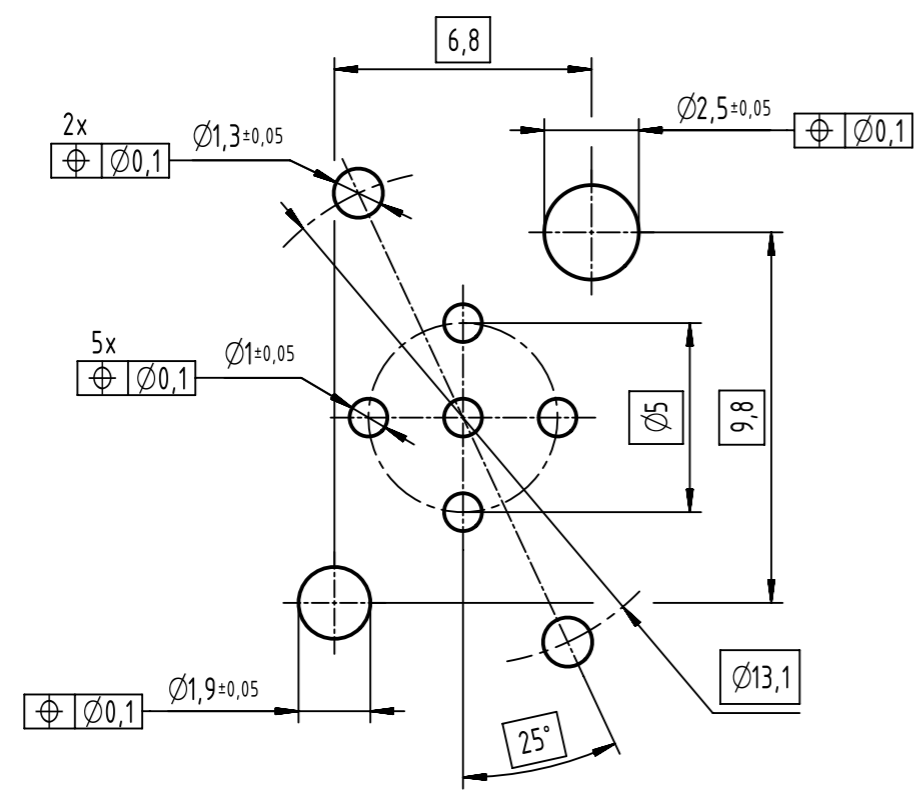


X



X (5:1)
recommended PCB-layout



- 1 pcs. single package

	All rights reserved		Created by		Inspected by		Standardisation		Date		State		
	Department EC PD - DE		STORCK		WELLMANN		KOHLER		2015-08-04		Final Release		
HARTING Electronics GmbH		Title HARTING M12 PCB receptacle female A-coded 5-pole back										Doc-Key / ECM-Nr. 100567305/UGD/000/C 50000092599	
D-32339 Espelkamp		Type TB		Number 21033212530				Rev. C		Page 1/1			