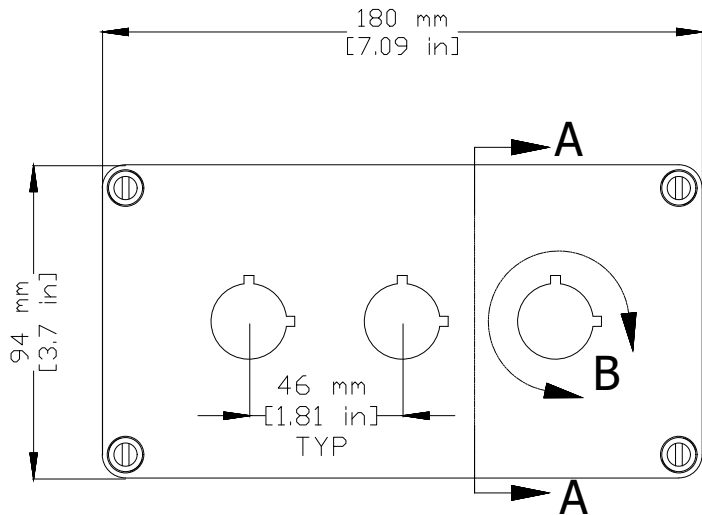
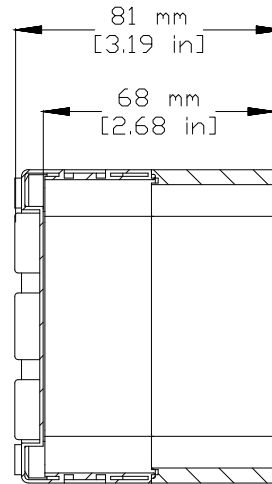


REVISIONS FOR DWG # 3E-3IS-PB-153-903

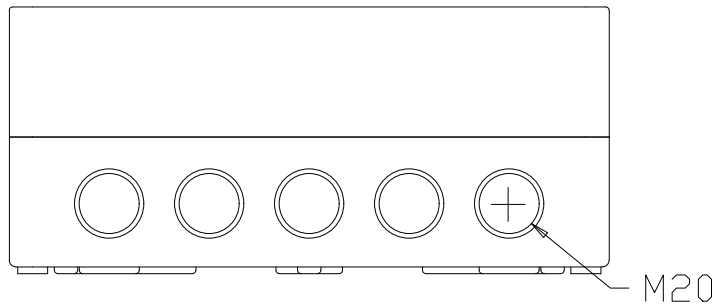
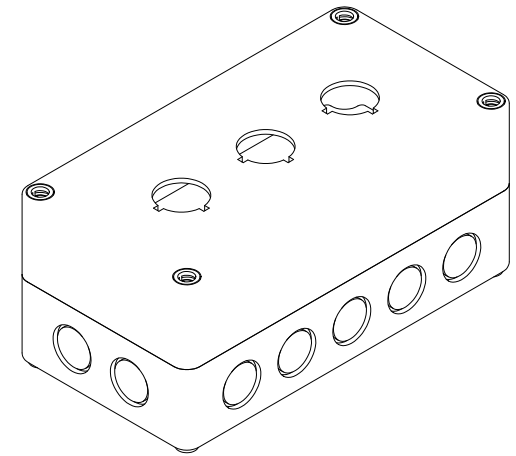
REV	CH.NO.	DESCRIPTION	DATE	REVISED BY
-	-	ORIGINAL DESIGN	07/25/16	ARON G



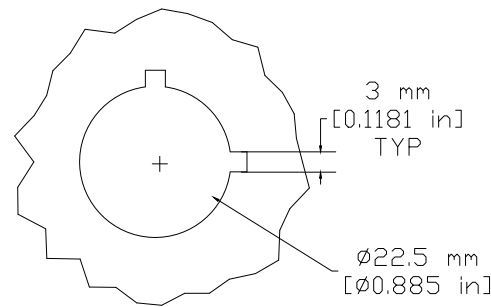
Top View



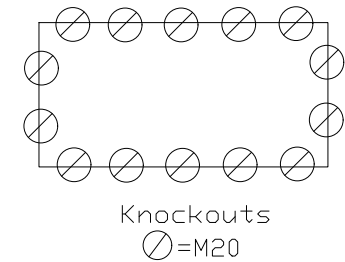
SECTION A-A



Side View



DETAIL B



Knockouts
ø=M20

UNLESS OTHERWISE SPECIFIED
 • ALL DIMENSIONS ARE IN MILLIMETERS
 • THIRD ANGLE PROJECTION

• TOLERANCE	
XX	1.00 mm
XX.X	0.50 mm
XX.XX	0.20 mm
ALL	XX mm

CIRTEK

This Drawing is the property of

Altrech Corp.

35 Royal Road
 Flemington NJ 08822-6000
 (908) 806-9400 • Fax (908) 806-9490

AND IS A CONFIDENTIAL DISCLOSURE
 LENT WITHOUT CONSIDERATION OTHER
 THAN THE BORROWER'S AGREEMENT
 THAT IT SHALL NOT BE REPRODUCED,
 COPIED, LENT, OR DISPOSED OF
 DIRECTLY OR INDIRECTLY NOR USED
 FOR ANY PURPOSE OTHER THAN THAT
 FOR WHICH IT IS SPECIFICALLY
 FURNISHED.

TITLE: 22mm Polycarbonate Enclosure
 Three Hole Enclosure

DRAWN BY: Aron Gyorgypal	07/25/16
CHECKED BY: JEFF R	07/25/16
RELEASED BY: Laszlo G	07/25/16

DRAWING NO.:
 M-Cad-3E-3IS-PB-153-903

REV.:
 -

SCALE: - SHEET: 1 OF: 1