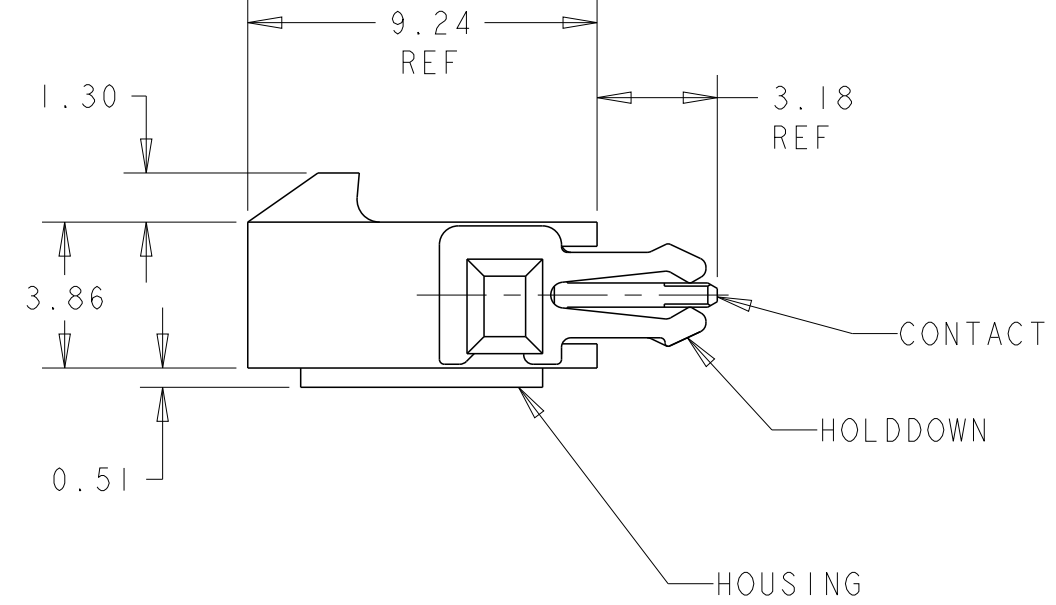
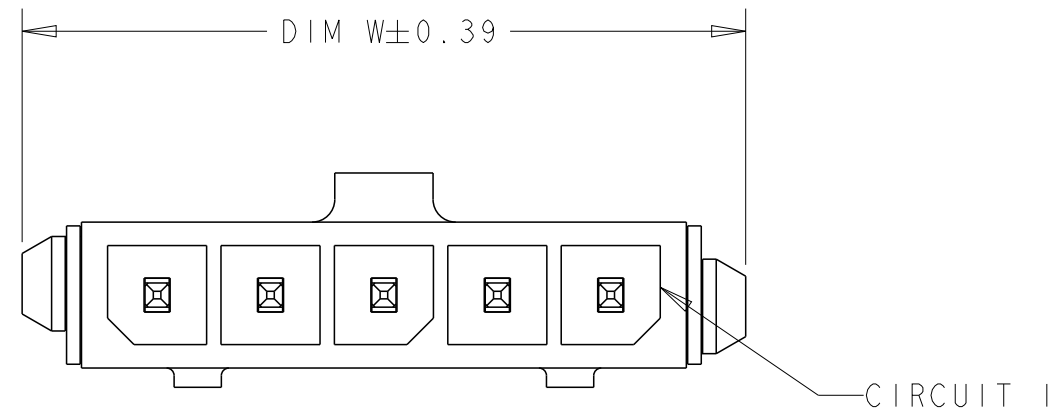
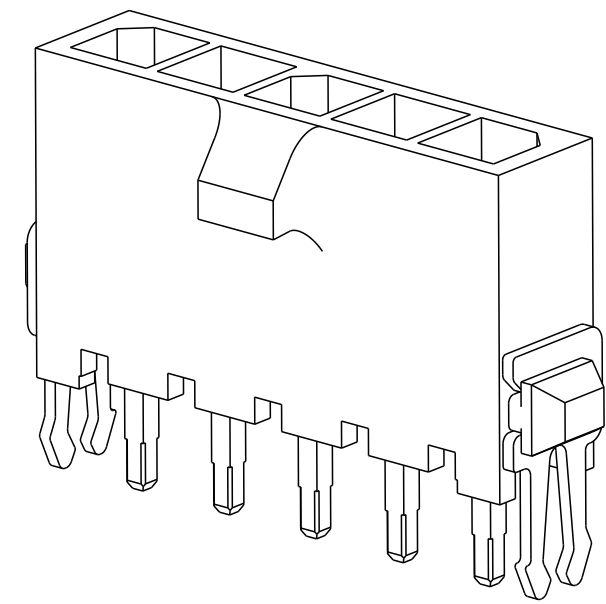
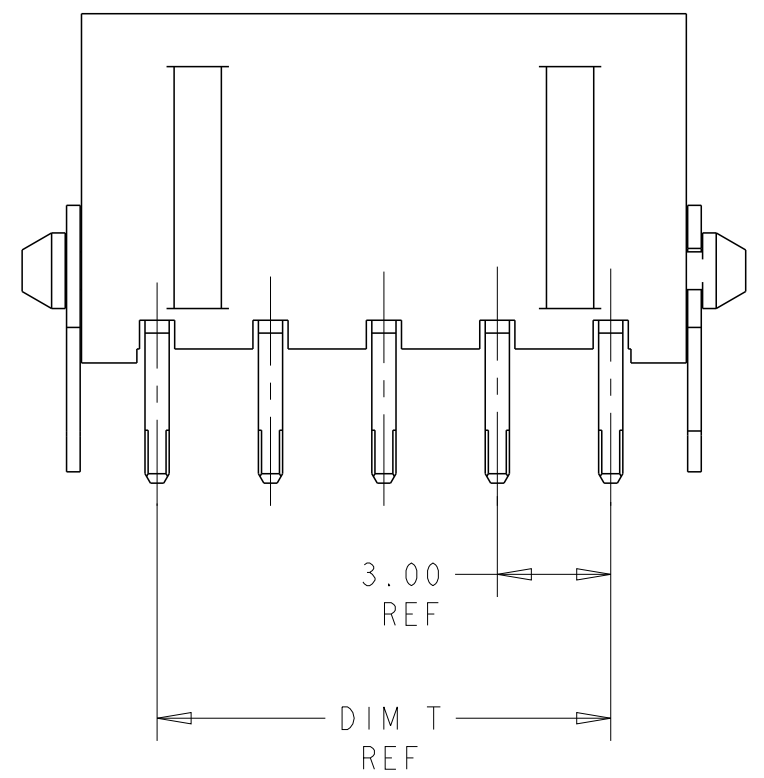


THIS DRAWING IS UNPUBLISHED. RELEASED FOR PUBLICATION 20
 © COPYRIGHT 20 BY - ALL RIGHTS RESERVED.

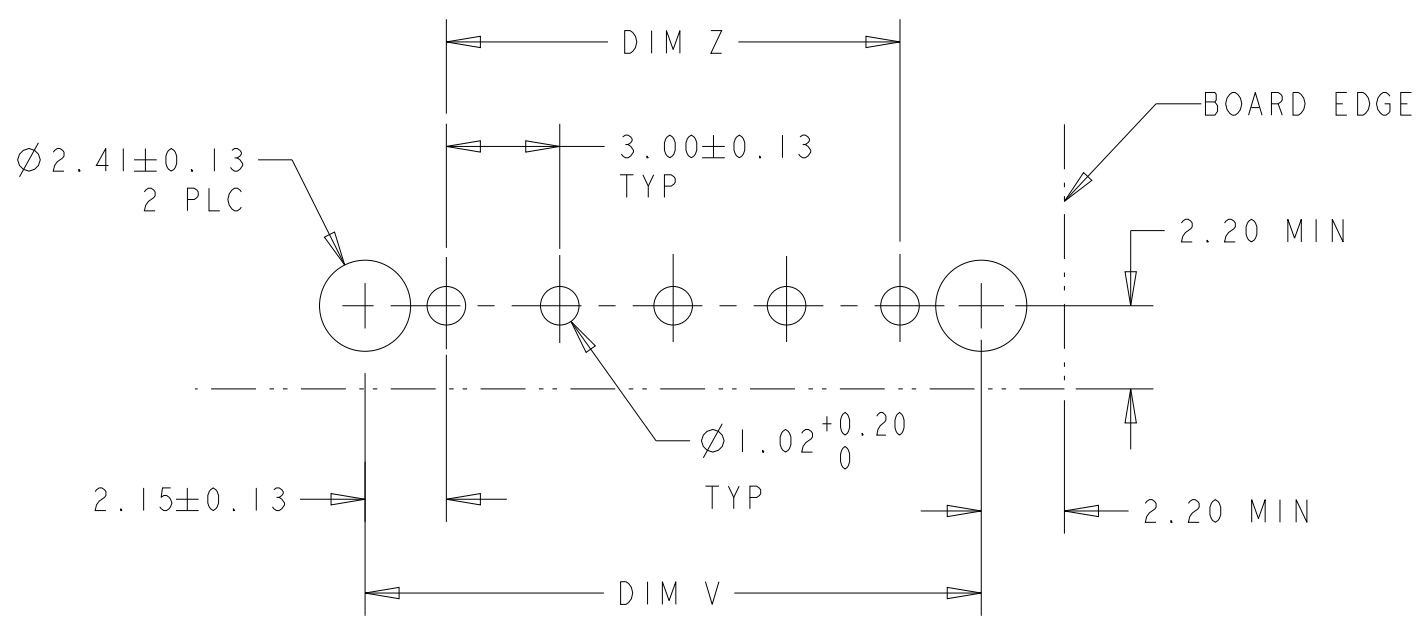
| REVISIONS | | | | | |
|-----------|-----|---------------------------|-----------|-----|------|
| P | LTR | DESCRIPTION | DATE | DWN | APVD |
| | A3 | REVISED PER ECR-16-011494 | 30MAY2017 | NK | CX |
| | | | | | |
| | | | | | |



- 1 MATERIAL: CONTACTS - BRASS
HOUSING - UL 94V-0 RATED HIGH TEMP NYLON, COLOR BLACK.
HOLDDOWNS: - PHOSPHOR BRONZE.
- 2 PLATING: CONTACTS - 0.76µm MINIMUM GOLD ON MATING END,
2.54µm MINIMUM TIN LEAD ON SOLDER TAILS, BOTH OVER
1.27µm MINIMUM NICKEL.
HOLDDOWNS: 2.54µm MINIMUM MATTE TIN OVER 1.27µm MINIMUM
NICKEL.
- 4 RECOMMENDED PC BOARD THICKNESS OF 1.57.
- 5 PLATING: CONTACTS - 0.76µm MINIMUM GOLD ON MATING END,
2.54µm MINIMUM MATTE TIN ON SOLDER TAILS, BOTH OVER
1.27µm MINIMUM NICKEL.
HOLDDOWNS: 2.54µm MINIMUM MATTE TIN OVER 1.27µm MINIMUM
NICKEL.



| FINISH | DIM Z | DIM V | DIM T | DIM W | NO. OF POSN | PART NUMBER |
|--------|-------|-------|-------|-------|-------------|-------------|
| 5 | 33.00 | 37.43 | 33.00 | 40.14 | 12 | 3-1445094-2 |
| 5 | 30.00 | 34.43 | 30.00 | 37.14 | 11 | 3-1445094-1 |
| 5 | 27.00 | 31.43 | 27.00 | 34.14 | 10 | 3-1445094-0 |
| 5 | 24.00 | 28.43 | 24.00 | 31.14 | 9 | 2-1445094-9 |
| 5 | 21.00 | 25.43 | 21.00 | 28.14 | 8 | 2-1445094-8 |
| 5 | 18.00 | 22.43 | 18.00 | 25.14 | 7 | 2-1445094-7 |
| 5 | 15.00 | 19.43 | 15.00 | 22.14 | 6 | 2-1445094-6 |
| 5 | 12.00 | 16.43 | 12.00 | 19.14 | 5 | 2-1445094-5 |
| 5 | 9.00 | 13.43 | 9.00 | 16.14 | 4 | 2-1445094-4 |
| 5 | 6.00 | 10.43 | 6.00 | 13.14 | 3 | 2-1445094-3 |
| 5 | 3.00 | 7.43 | 3.00 | 10.14 | 2 | 2-1445094-2 |
| 2 | 33.00 | 37.43 | 33.00 | 40.14 | 12 | 1-1445094-2 |
| 2 | 30.00 | 34.43 | 30.00 | 37.14 | 11 | 1-1445094-1 |
| 2 | 27.00 | 31.43 | 27.00 | 34.14 | 10 | 1-1445094-0 |
| 2 | 24.00 | 28.43 | 24.00 | 31.14 | 9 | 1-1445094-9 |
| 2 | 21.00 | 25.43 | 21.00 | 28.14 | 8 | 1-1445094-8 |
| 2 | 18.00 | 22.43 | 18.00 | 25.14 | 7 | 1-1445094-7 |
| 2 | 15.00 | 19.43 | 15.00 | 22.14 | 6 | 1-1445094-6 |
| 2 | 12.00 | 16.43 | 12.00 | 19.14 | 5 | 1-1445094-5 |
| 2 | 9.00 | 13.43 | 9.00 | 16.14 | 4 | 1-1445094-4 |
| 2 | 6.00 | 10.43 | 6.00 | 13.14 | 3 | 1-1445094-3 |
| 2 | 3.00 | 7.43 | 3.00 | 10.14 | 2 | 1-1445094-2 |



PCB LAYOUT COMPONENT SIDE

THIS DRAWING IS A CONTROLLED DOCUMENT. DWN J ROOT 10OCT2000
 CHK K WHITAKER 17-APR-2001
 APVD C JONES 17-APR-2001

STE TE Connectivity

NAME: VERTICAL THRU HOLE HEADER ASSY, 0.76 MIC GOLD CONTACTS, W/THRU HOLE HOLDDOWNS, SGL ROW. MICRO MATE-N-LOK™

SIZE: A2 CAGE CODE: 0779 DRAWING NO: 1445094 RESTRICTED TO: -
 MATERIAL: SEE TABLE WEIGHT: -
 CUSTOMER DRAWING SCALE: 5:1 SHEET: 1 OF 1 REV: A3