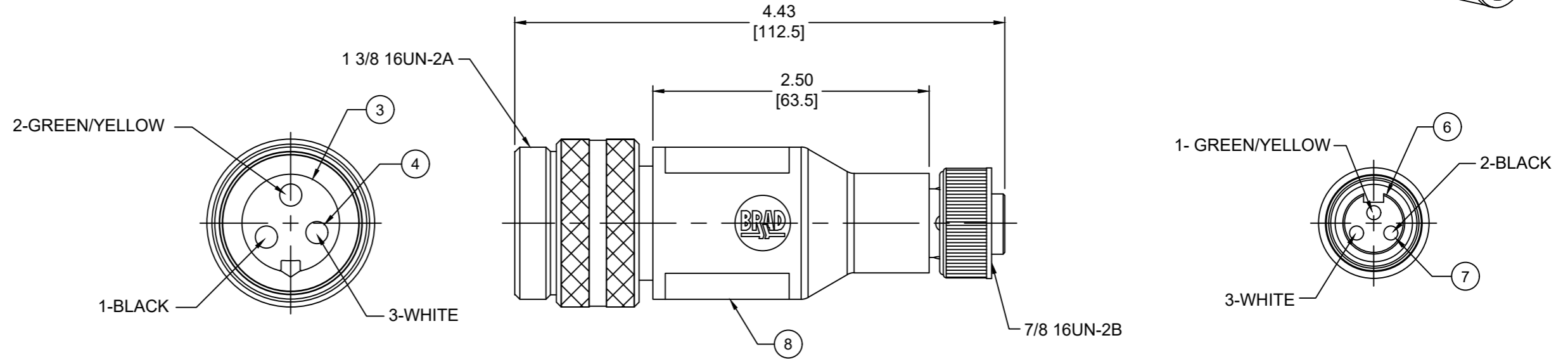
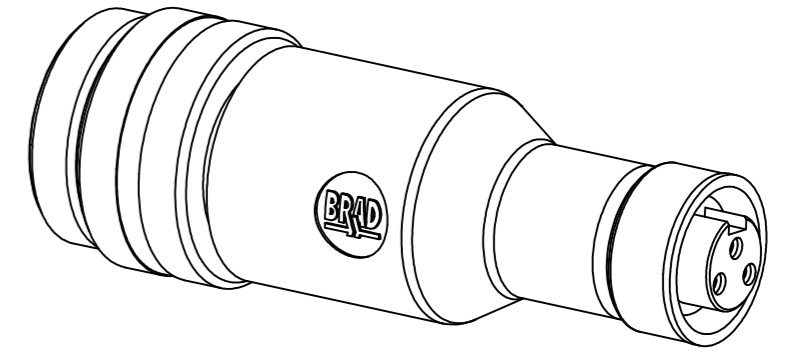
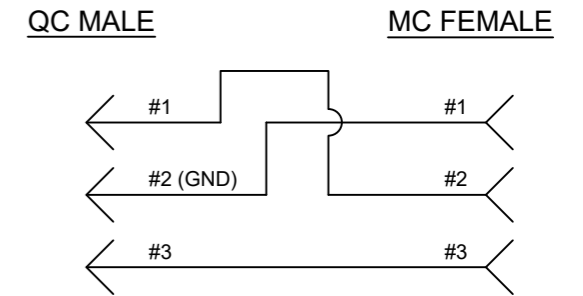


PART NUMBER	ENGINEERING NUMBER	OVERMOLD COLOR
1300680015	1C3030-001	GRAY
1300680110	1C3030-001E	RED



NOTES:

- MATERIAL: SEE TABLE
- FINISHES: SEE TABLE
- ELECTRICAL DATA:
REDUCING ADAPTER QC TO MC
POLES: 3
MAX. VOLTAGE: 600V AC/DC PER UL 2237
500V AC/DC PER IEC 60664
MAX.CURRENT: 15A
- TEMPERATURE RANGE: -20°C TO +105°C (D)
- PROTECTION: IP67 (WHEN MATED)
- LABEL IS MARKED WITH P/N, DATE CODE, VOLTAGE & AMPERAGE
- PACKAGING:
ASSEMBLIES ARE BAGGED SEPARATELY IN POLY BAGS WITH BAR CODE LABEL ATTACHED TO THE OUTSIDE OF THE BAG.
- UL LISTED FILE: E258922
- DIMENSIONS SHOWN ARE FOR REFERENCE UNLESS TOLERANCED OR NOTED OTHERWISE



WIRE DIAGRAM

8	LABEL	VINYL	BLACK/YELLOW
7	MC SOCKET CONTACT	COPPER ALLOY	GOLD PLATED
6	MC INSERT	TPE	BLACK (D)
5	MC COUPLING NUT	ZINC ALLOY	BLACK E-COAT
4	QC PIN CONTACT	COPPER ALLOY	GOLD PLATED
3	QC INSERT	TPE	BLACK (D)
2	QC COUPLING NUT	ALUMINUM	CLEAR ANODIZE
1	OVERMOLD	TPE	SEE CHART (D)
ITEM	DESCRIPTION	MATERIAL	FINISH

FUNCTIONAL SYMBOLS	THIS DRAWING CONTAINS INFORMATION THAT IS PROPRIETARY TO MOLEX ELECTRONIC TECHNOLOGIES, LLC AND SHOULD NOT BE USED WITHOUT WRITTEN PERMISSION		CURRENT REV DESC: ITEM# 1, 3 & 6 WERE PVC. UPDATED TEMP RATING		
$F=0$	DIMENSION UNITS	SCALE	<p>molex</p> <p>BRAD POWER, A-SIZE, PASS-THRU 3-POLE QC AC MALE/MC FEMALE</p> <p>PRODUCT CUSTOMER DRAWING</p> <p>DOCUMENT NUMBER: SD-130068-001 DOC TYPE: PSD DOC PART: 001 REVISION: D</p>		
$F/C=0$	INCH/MM	NTS			
$F/P=0$	GENERAL TOLERANCES (UNLESS SPECIFIED)				
DIVISIONAL SYMBOLS	mm	INCH			
	4 PLACES	±----	±----	EC NO: 663067	
	3 PLACES	±----	±----	DRWN: ABENJAMINLW 2021/01/21	
	2 PLACES	±----	±----	CHK'D: RSTONE 2021/05/06	
	1 PLACE	±----	±----	APPR: BWOODMAN 2021/05/13	
	0 PLACES	±----	±----	INITIAL REVISION:	
	ANGULAR TOL ± ---- °			DRWN: KJOZWIK 2010/01/08	
	DRAFT WHERE APPLICABLE MUST REMAIN WITHIN DIMENSIONS	THIRD ANGLE PROJECTION	DRAWING	APPR: JFMURPHY 2010/01/15	
			B-SIZE	SERIES	
			130068	MATERIAL NUMBER	
			SEE CHART	CUSTOMER	
			GENERAL MARKET	SHEET NUMBER	
				1 OF 1	