

## Main Features

- Intel® 6<sup>th</sup> / 7<sup>th</sup> Generation Core™ i7/i5/i3, LGA1151 Socket Processor, Max. 65W TDPs, LGA1511, H110,
- Support two DDR4 SO-DIMM socket.
- Support dual display HDMI, VGA
- 4 x Intel® GbE LAN ports ( 2 x ECAT)
- 4 x USB 3.1 (Gen1), 4 x USB 2.0, 1x RS232/485/422, 1 x SATAIII, **On-Board Isolated I/O.**
- 1 x PCIe16, 1x Mini PCIe.
- 1 x 2x2 4P ATX-12V connector, DC24V In.

## Product Overview

RCB100-L4 is Mini-ITX PC based on Intel® 6<sup>th</sup> / 7<sup>th</sup> Generation Core™ i7/i5/i3, LGA1151 Socket processor (codenamed “Skylake/Kabylake”) to support 65W CPU, operates temperature range from 0°C to 60°C.

RCB100-L4 is designed for AOI and object detection data collection application. RCB100-L4 equips with rich I/Os for robot control application, including 2 x i210 LAN port for EtherCAT communication, 1 x VGA port to connect to teach pendant, and 2 x USB 2.0 for software license dongle.

## Specifications

### CPU/Chipset

- 7<sup>th</sup>/6<sup>th</sup> Generation Intel® Core™ i7/i5/i3/Pentium® /Celeron® 14nm LGA1151 Socket Processor , Max. 65W
- Intel® H110 Express Chipset.

### Main Memory

- 2 x SO-DIMM DDR4 with non-ECC SO-DIMM up to 32GB.

### BIOS

- AMI (UEFI) .

### Display

- 1 x Int-VGA connector (resolution up to 1920x1080@60Hz).
- 1 x HDMI connector (resolution Up to 4096 x 2160 @ 24Hz).

### System

- 4 x USB3.1 (Gen1), 4 x USB2.0.
- 1 x COM port (Support RS232/485/422) .
- 1 x Front panel header.
- **On-Board Isolated I/O** 12in(Sink/Source type), 4out(Sink type),
- Watchdog timeout can be programmable by Software from 1 second to 255 seconds and from 1 minute to 255 minutes.
- 2 x Fan connector

### Storage

- 1 x SATA III (6.0Gb/s) ports .
- 1 x SATA power connector.

### Expansion Slot

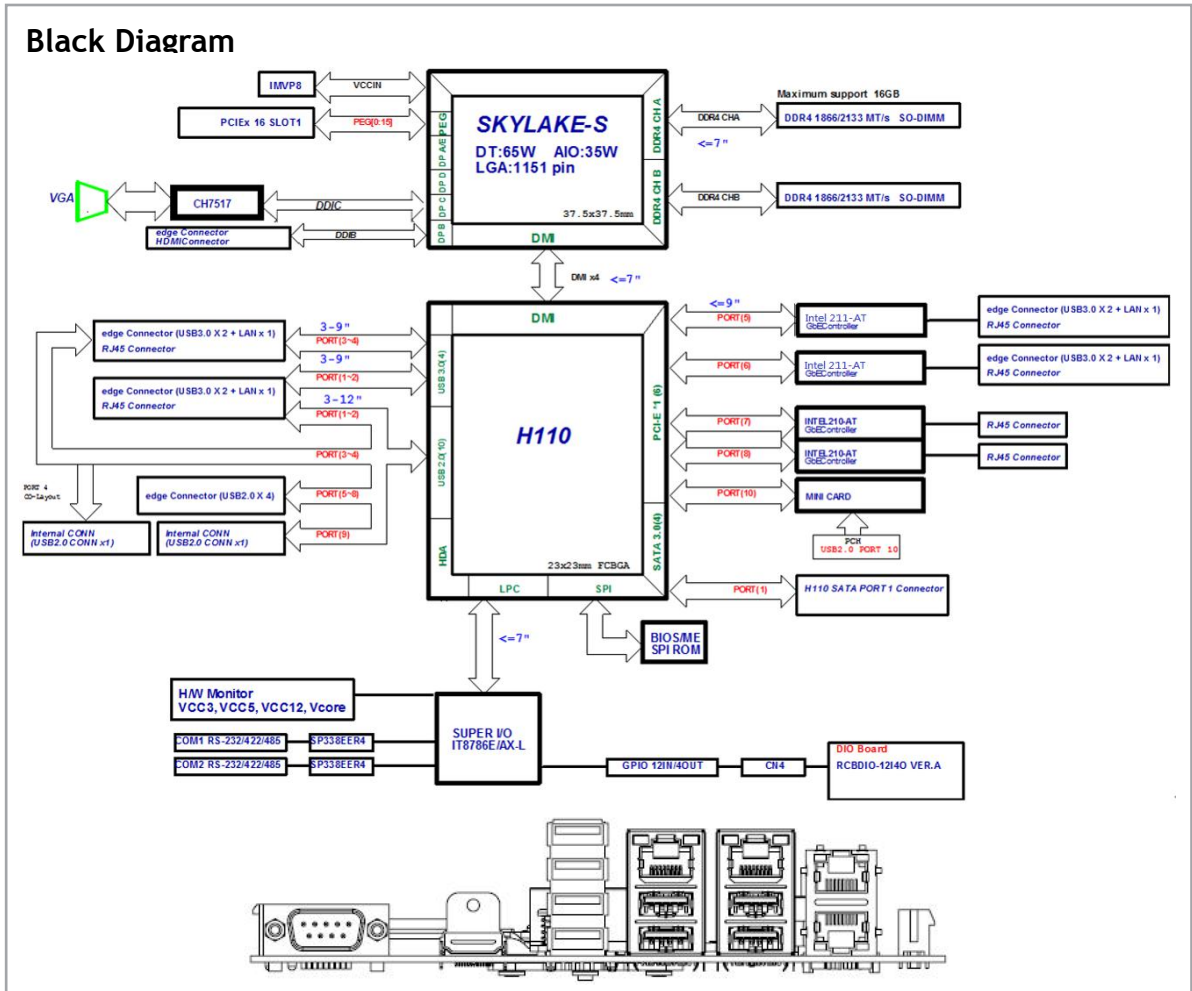
- 1 x PCIe16.
- 1 x Mini PCIe full size (PCIe & USB for Wifi & Albooster card).

### Rear I/O

- 1 x COM port
- 1 x 4 deck USB 2.0
- 1 x HDMI
- 2 x RJ45 (2 x Intel® I211AT GbE LAN)
- 4 x USB 3.1 (Gen1),
- 1 x double deck RJ45 (2 x Intel® I210AT GbE LAN Support ECAT)

### Internal I/O

- 1 x Int-VGA connector.
- 1 x USB2.0 (Pin Header)
- 1 x 2x10 2.00mm box header / (12in(Sink/Source type), 4out(Sink type)
- 2 x Fan connector.



### Power Requirement

- 1 x 4 pin ATX-12V Power connector
- Input 24V
- Support both AT and ATX power supply mode

### Dimensions

- Mini-ITX Form Factor, (17cm x 17cm)

### Environment

- Board level operation temperature: -0°C to 60°C
- Storage temperature: -40°C to 85°C
- Relative humidity:
  - 10% to 95% (operating, non-condensing)
  - 5% to 95% (non-operating, non-condensing)

### Certifications

- Meet CE/FCC Class A

## Ordering Information

### Barebone

- RCB100-L4 (P/N:10J200RCB07X0 )  
Mini-ITX, 6<sup>th</sup>/7<sup>th</sup> Gen Skylake Core I (65W/35W), LGA1151, H110, 2 x DDR4 SO-DIMM up to 32GB , 1 x HDMI, 1x VGA, 4 x USB3.1 (Gen1), 4 x USB2.0 , 4x Gbe LAN , SATA x1, 1x RS232/422/485, 1 x 2x10 box header **On-Board Isolated I/O**. 1 x x16 PCIe slot, Mini-PCIe, 24V DC.