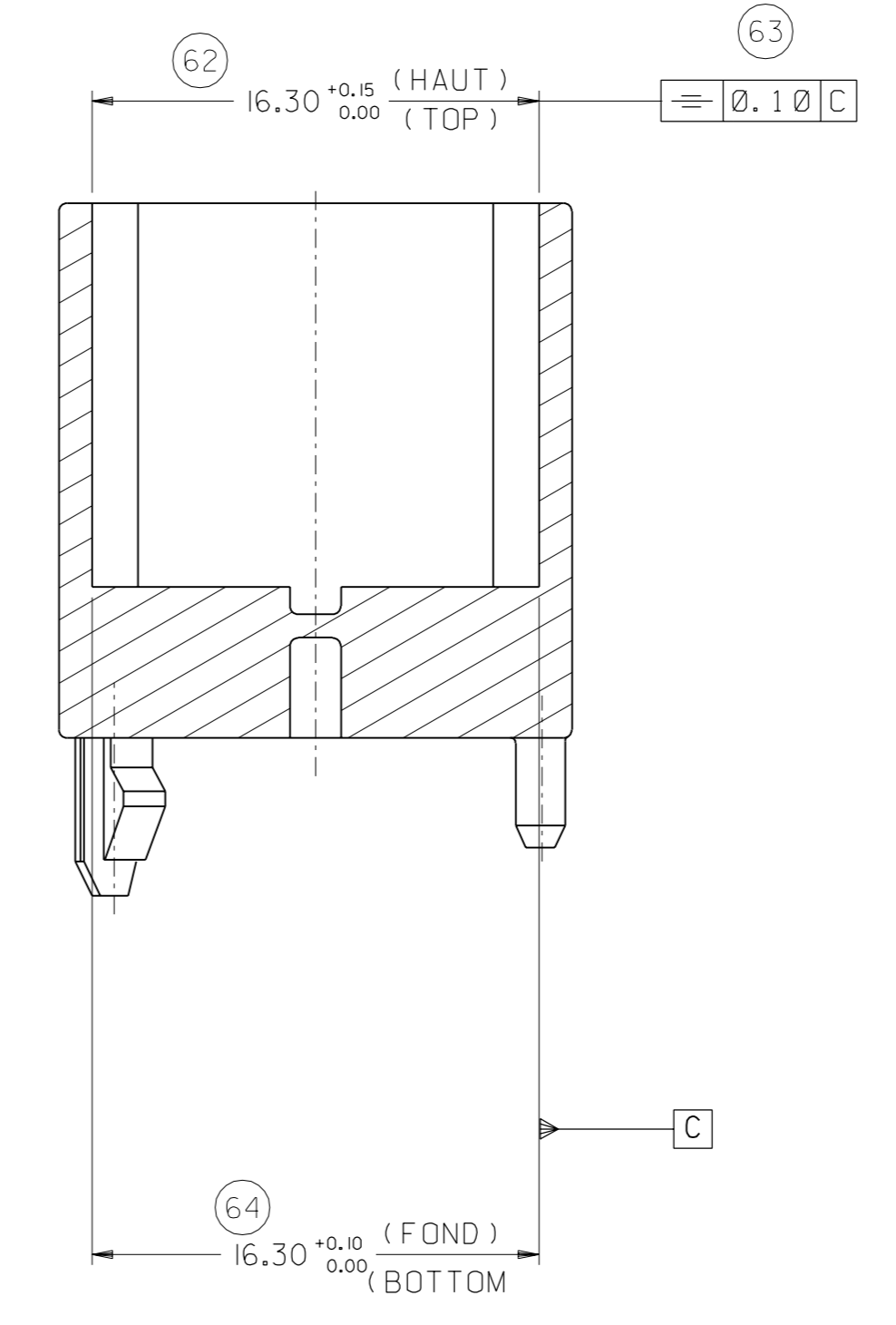
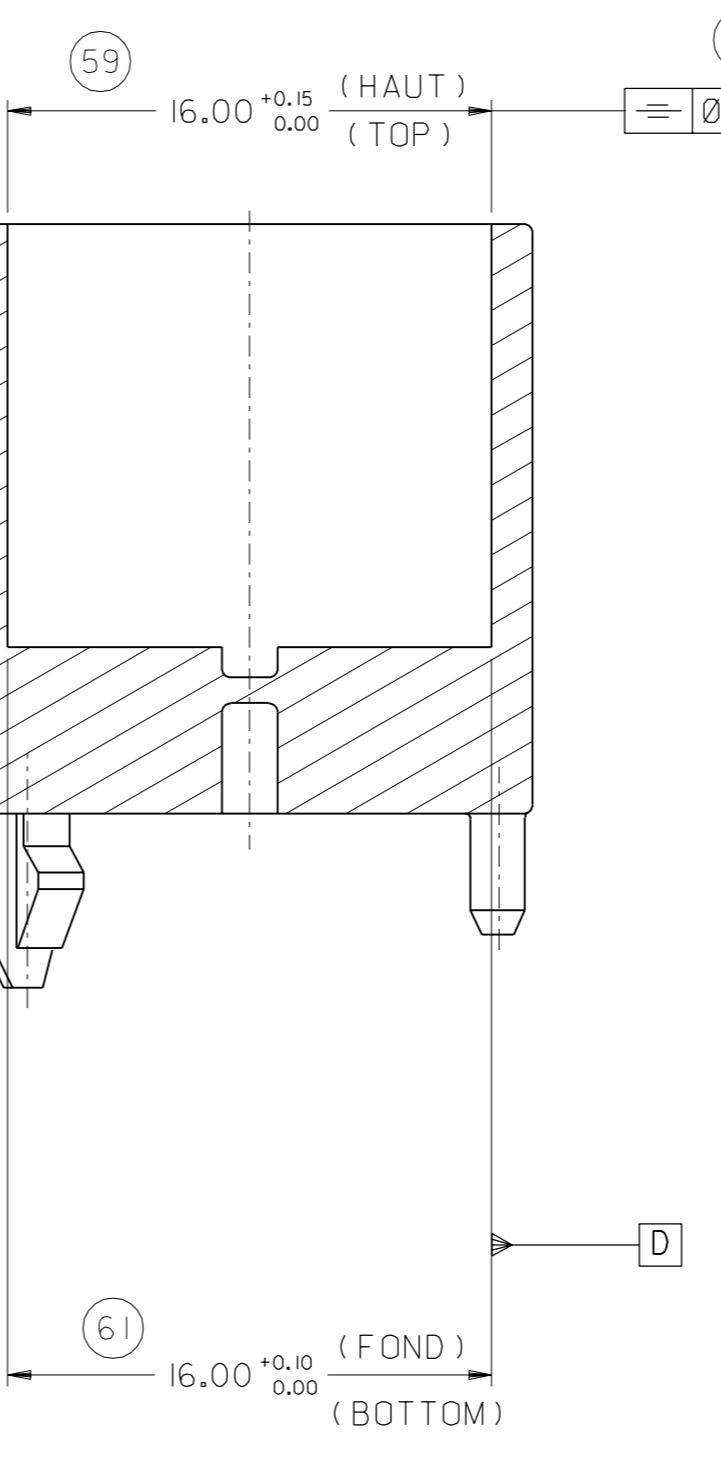
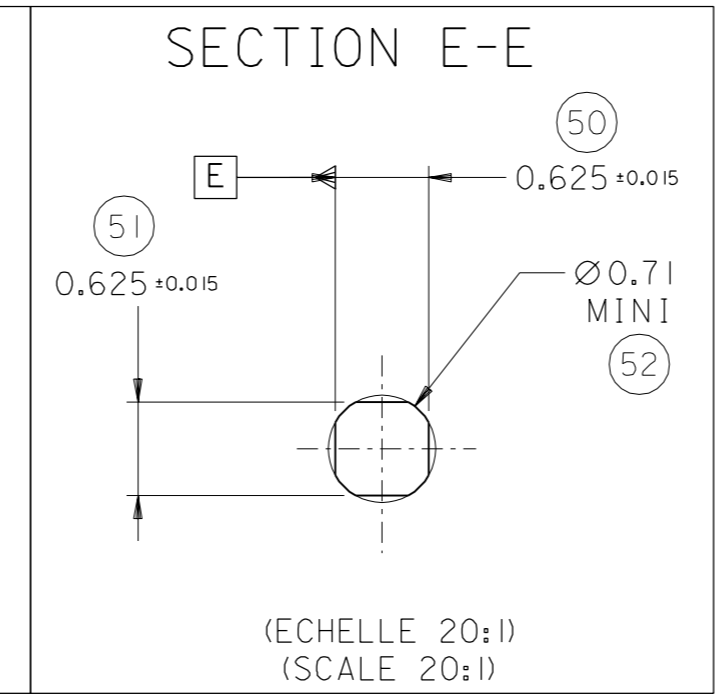
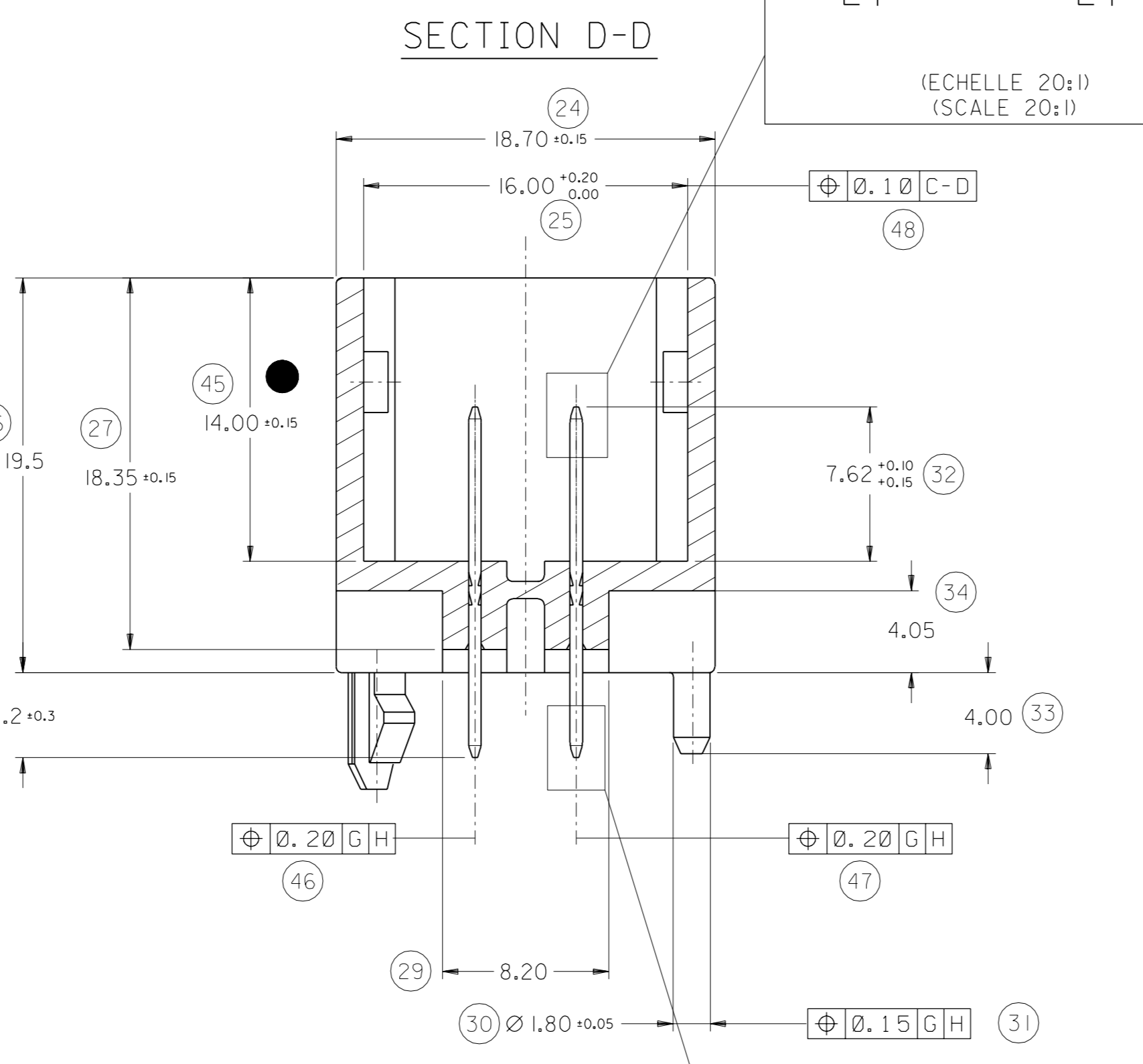
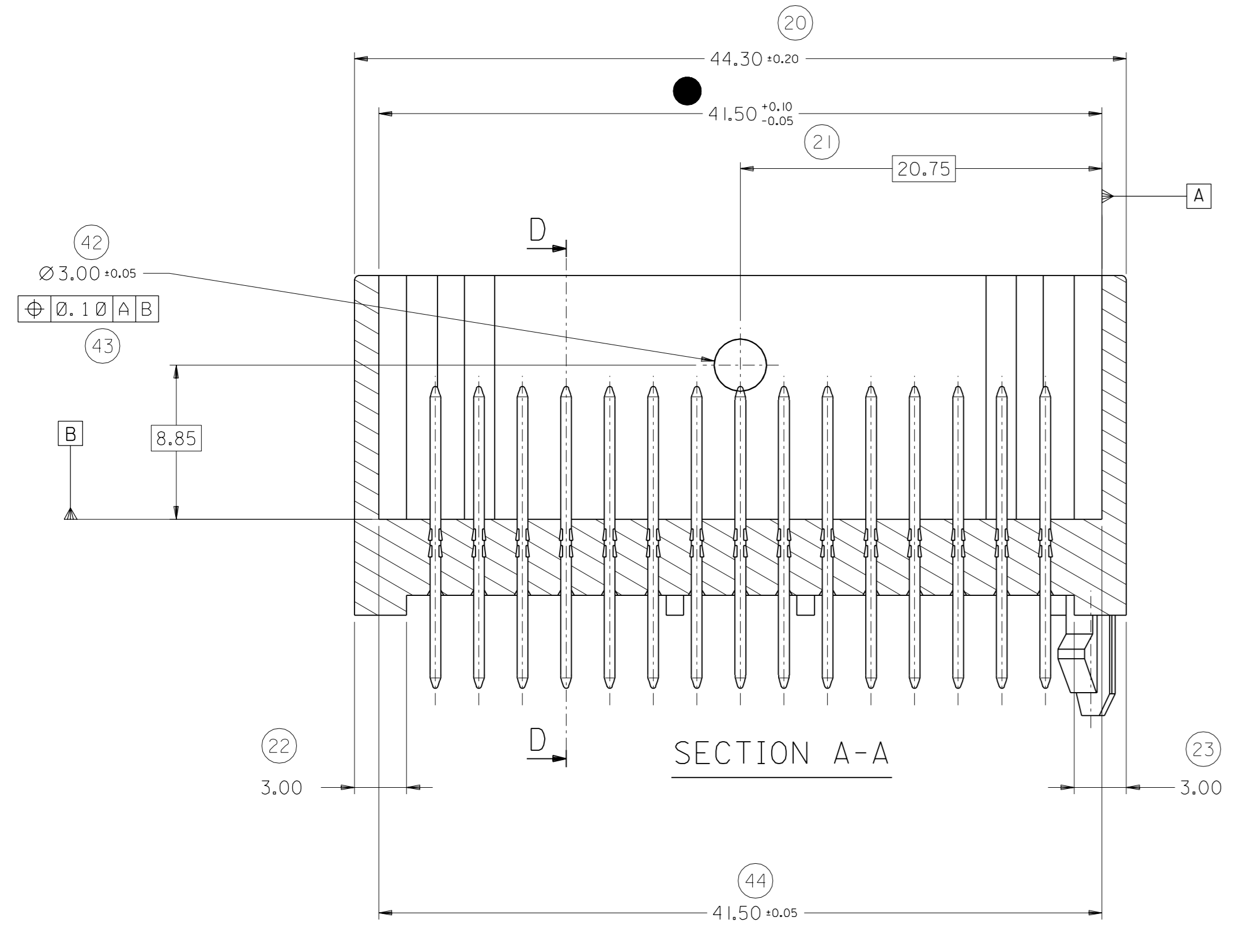
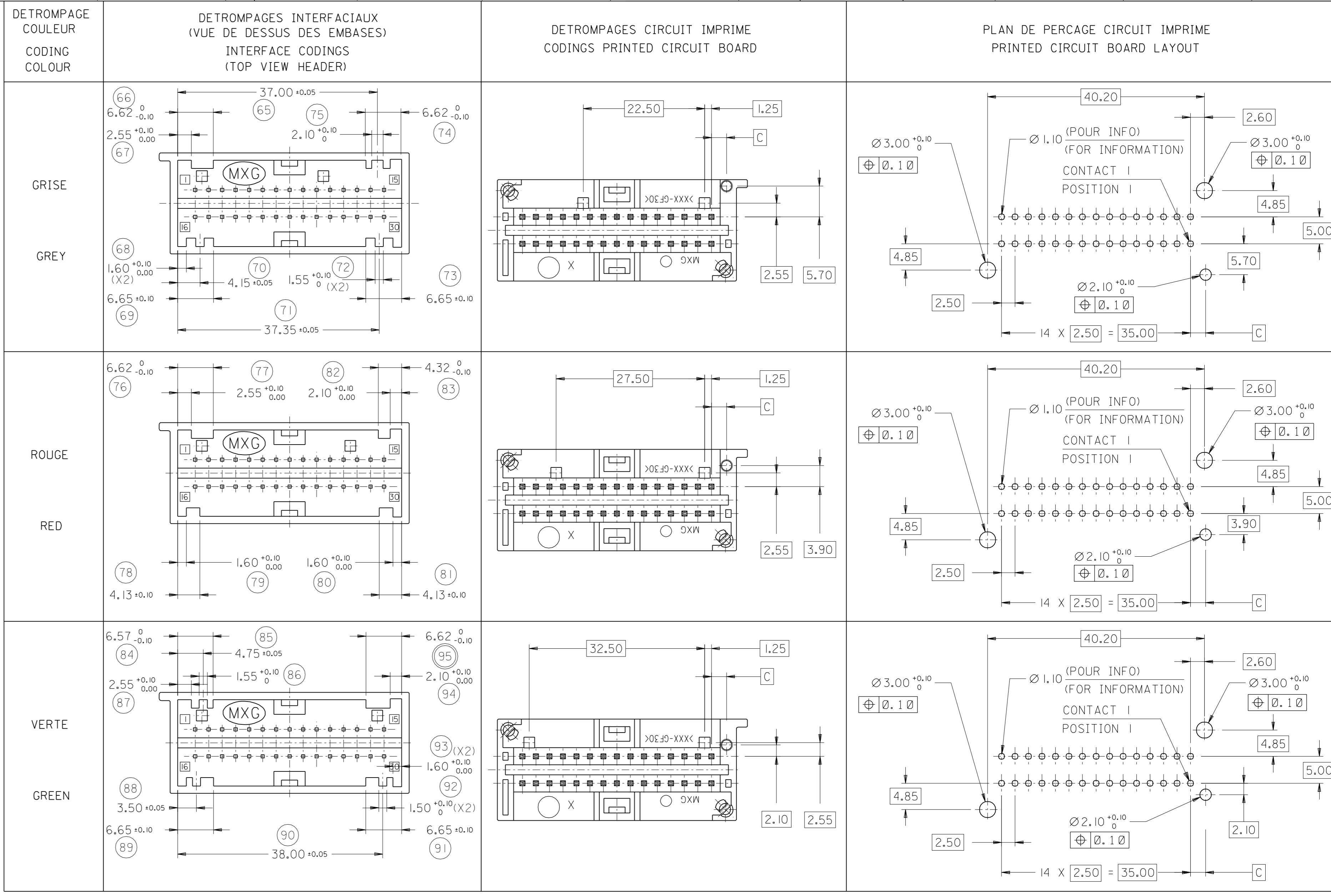


INDICE REVISION PLAN CLIENT SD-98462-004; 'C'
CUSTOMER DRAWING REVISION LEVEL SD-98462-004; 'C'

QUANTITE/ANNEE DE L'ASSEMBLAGE
DAY OF YEAR/YEAR OF ASSEMBLY OPERATION

MARQUAGE JET D'ENCRE
INK JET PRINTING

REFERENCE MOLEX
MOLEX PART NUMBER



COULEUR COLOUR	MATIERE MATERIAL	REFERENCE MOLEX MOLEX PART NUMBER	DIM. C	PORTE-CLIP ASSOCIEE FEMALE MODULE ASSOCIATED
GRISE GREY	PBT-30GF	98462-1111	3.50	77 03 297 770
GRISE GREY	PCT-30GF	98462-1121	2.80	77 03 297 770
ROUGE RED	PBT-30GF	98462-1112	3.50	77 03 297 769
ROUGE RED	PCT-30GF	98462-1122	2.80	77 03 297 769
VERTE GREEN	PBT-30GF	98462-1113	3.50	77 03 297 768
VERTE GREEN	PCT-30GF	98462-1123	2.80	77 03 297 768

NOTES:

1- LE CODAGE REPRESENTE CORRESPOND A LA COULEUR GRISE (MATIERE PCT)
FOR ILLUSTRATION PURPOSES GREY COLOUR PART IS SHOWN (PCT MATERIAL)

2- PIECE CONFORME AU PLAN D'EMPREINTE RENAULT REF: T 710 001 006
PART IN ACCORDANCE WITH INTERFACE DRAWING RENAULT: T 710 001 006.

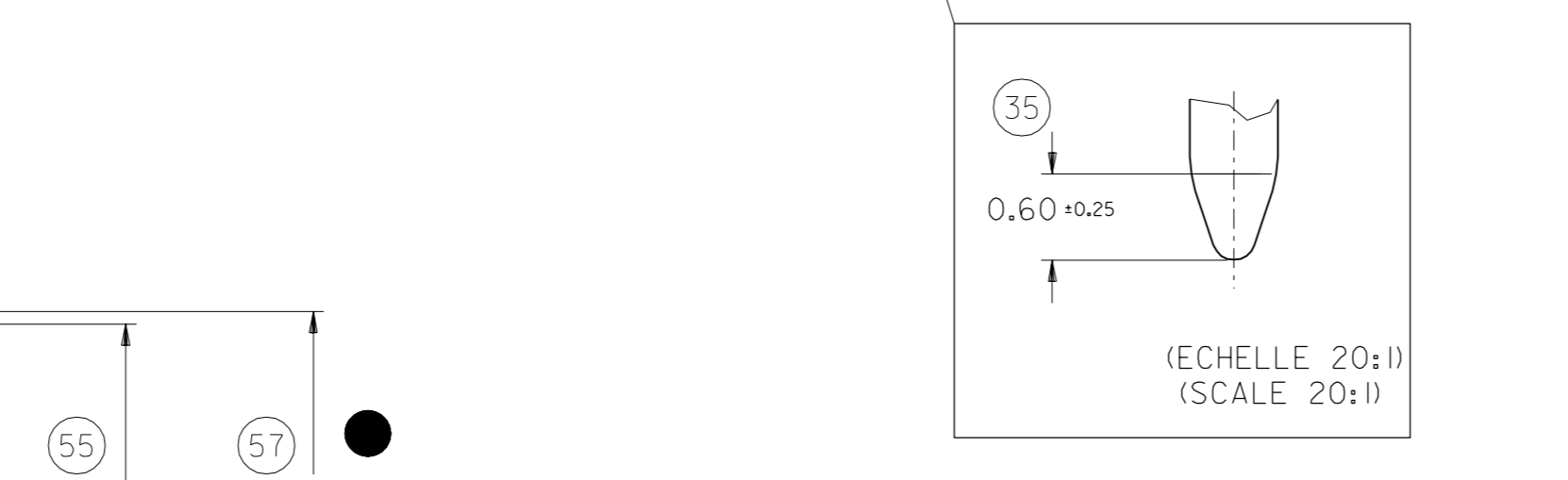
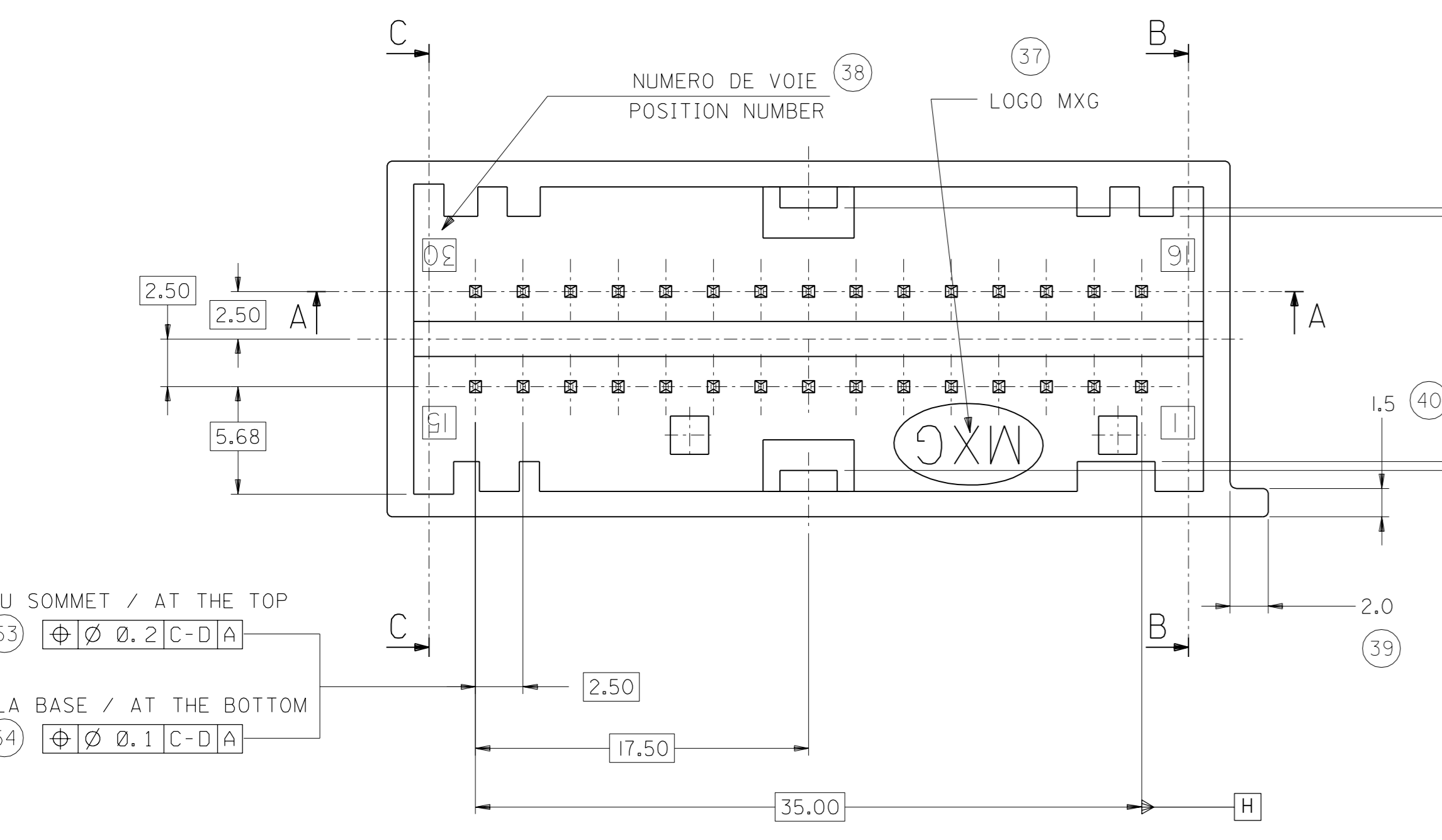
3- EPAISSEUR CIRCUIT IMPRIME: 150 +/- 0.14 mm.
PRINTED CIRCUIT BOARD THICKNESS: 150 +/- 0.14 mm.

4- RETENTION DES CONTACT DANS L'ISOLANT: 25N min.
PINS RETENTION IN HOUSING: 25N min.

5- EPAISSEUR D'ETAMAGE CONTACT: 1 A 3 microns m.
TIN PLATING THICKNESS OF PINS: 1 TO 3 microns m.

6- CLIPSAGE DE L'EMBASE SUR CIRCUIT IMPRIME;
HEADER FIXTURE OF PRINTED CIRCUIT BOARD.
EFFORT D'INSERTION: 10 A 30N.
INSERTION FORCE: 10 TO 30N.
EFFORT D'EXTRACTION: 30N min.
RETENTION FORCE: 30N min.

7- SPECIFICATION D'EMBALLAGE: PP-98462-010.
PACKAGING SPECIFICATION: PP-98462-010.



SECTION B-B

SECTION C-C

INDICATION DIMENSIONS S.P.C
DENOTES S.P.C DIMENSIONS

INDICATION DIMENSIONS FONCTIONNELLES
DENOTES FUNCTIONAL DIMENSIONS

QUANTITE PAR FEUILLE INDIVIDUELLE
QUANTITY PER INDIVIDUAL SHEET

☒ = 1 PLACE(S) ● = 3 PLACE(S)

EC No. G-200 I-0061 DRWN: CBO CHK: / APPR: /	QUALITY SYMBOLS MAJOR CRITICAL C	GENERAL TOLERANCES: (UNLESS SPECIFIED)	SCALE 4 : 1	DESIGN UNITS <input checked="" type="checkbox"/> mm <input type="checkbox"/> INCH	SHT REV													
		<table border="1"> <tr> <th></th> <th>mm</th> <th>INCH</th> </tr> <tr> <td>4 PLACES</td> <td>±0.</td> <td>±.</td> </tr> <tr> <td>3 PLACES</td> <td>±0.</td> <td>±.</td> </tr> <tr> <td>2 PLACES</td> <td>±0.10</td> <td>±.</td> </tr> <tr> <td>1 PLACE</td> <td>±0.15</td> <td>±.</td> </tr> </table>		mm	INCH	4 PLACES	±0.	±.	3 PLACES	±0.	±.	2 PLACES	±0.10	±.	1 PLACE	±0.15	±.	DRAWN BY & DATE PGR 98/09/04
	mm	INCH																
4 PLACES	±0.	±.																
3 PLACES	±0.	±.																
2 PLACES	±0.10	±.																
1 PLACE	±0.15	±.																
APPROVED BY & DATE CBO / /	CAD FILENAME S98462X1.DGN	MATERIAL NO. SEE CHART	DRAWING NO. SD-98462-004	SHEET NO. 1 OF 1	SIZE E													

FIRST ANGLE PROJECTION

THIRD ANGLE PROJECTION

DIMENSIONS:
 mm INCH mm ONLY

TITLE: EMBASE 30 VOIES CMS
SMT HEADER 30 WAY
CUSTOMER DRAWING

MOLEX INCORPORATED

THIS DRAWING CONTAINS INFORMATION THAT IS PROPRIETARY TO MOLEX INCORPORATED AND SHOULD NOT BE USED WITHOUT WRITTEN PERMISSION.