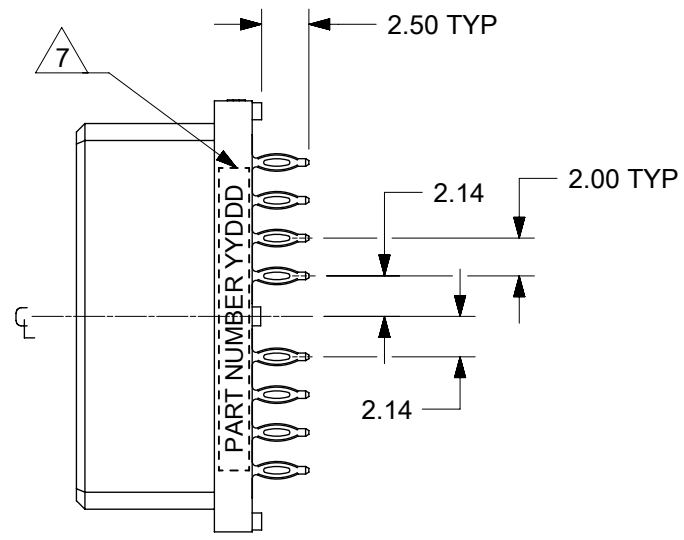
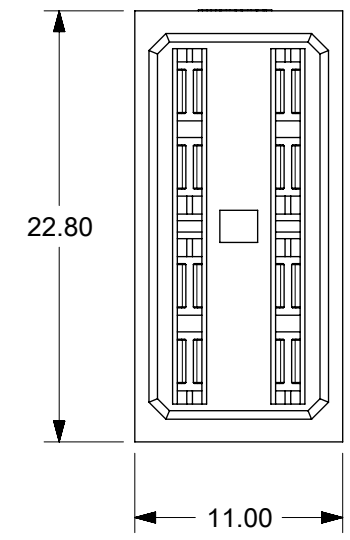
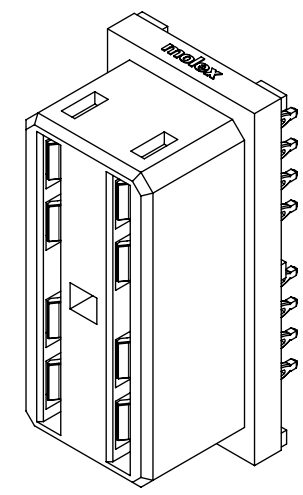
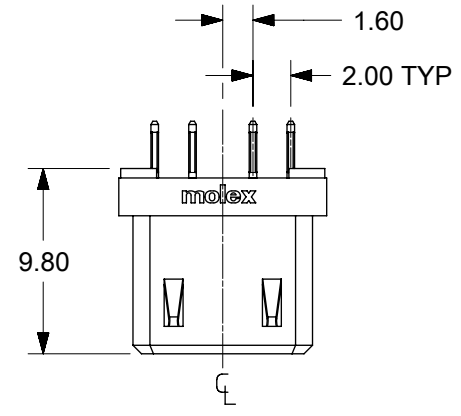


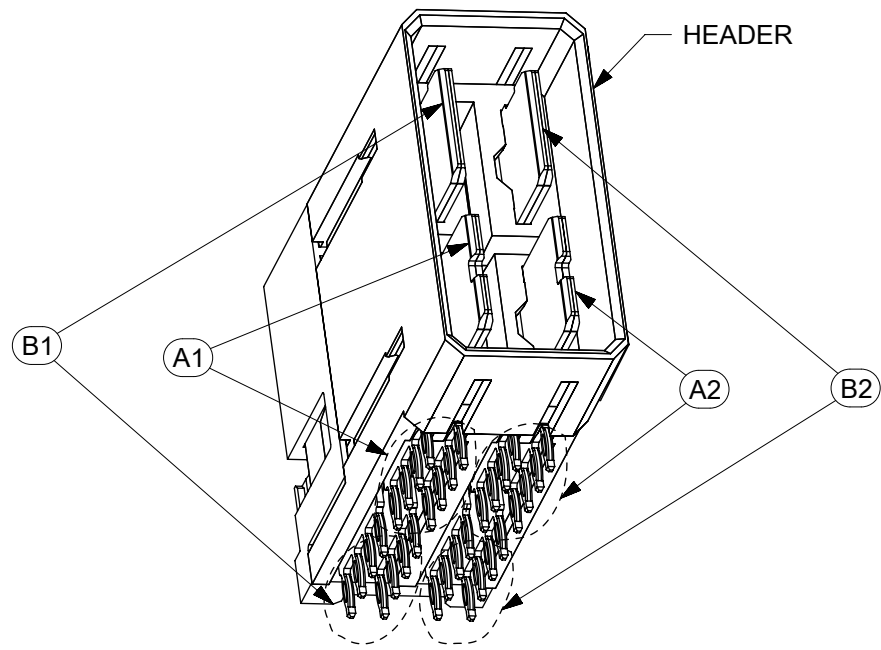
PART NUMBER	PLATING OPTION	PACKAGING
78216-1001	TIN	TRAY



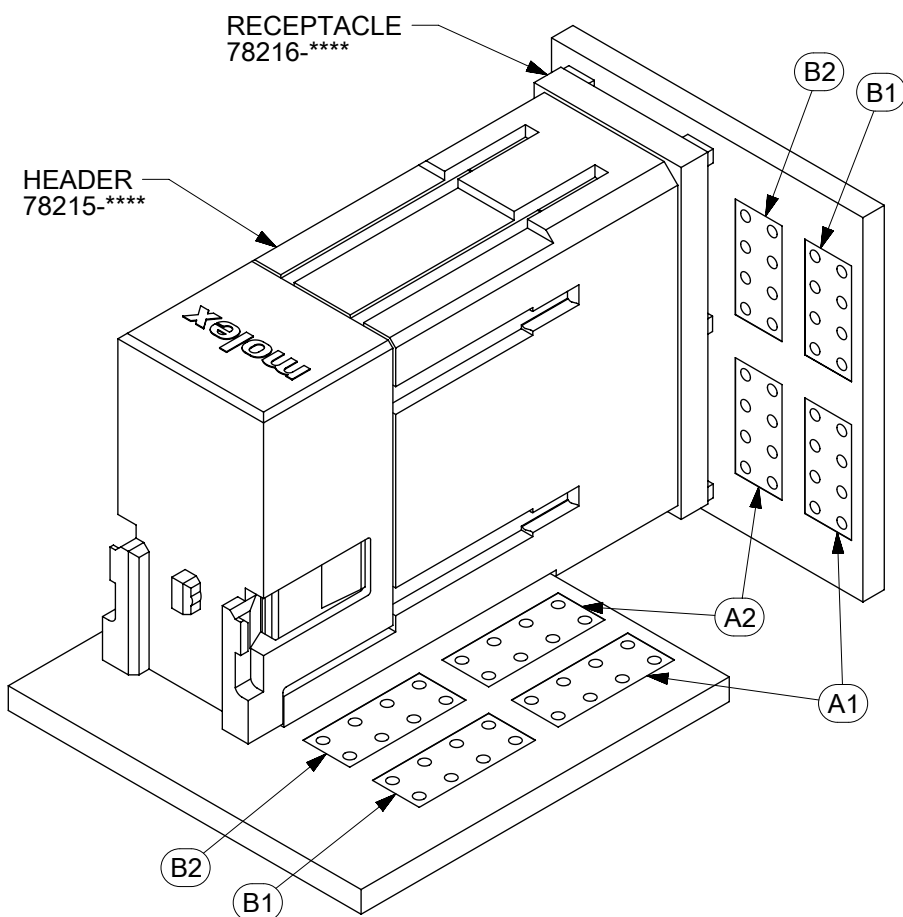
- NOTES:
- MATERIAL:
HOUSING - LCP, GLASS FILLED, UL94-V0, COLOR: BLACK
POWER PIN - COPPER ALLOY
 - FINISHES:
TIN - 0.76µm MINIMUM GOLD AT CONTACT AND
2.54µm MINIMUM TIN AT SOLDER TAIL AREA OVER
1.27µm MINIMUM NICKEL UNDERPLATE OVERALL.
 - PRODUCT SPECIFICATION: PS-78213-001.
 - PACKAGING SPECIFICATION: PK-78216-001.
 - MATES WITH 78446-****, 78442-**** or 78351-****
 - REFER TO SHEET 2 FOR RECOMMENDED PCB LAYOUT.
 - REFER TO PRODUCT SPECIFICATION PS-78213-001 FOR PLATED THROUGH-HOLE SPECIFICATIONS.
 - PART NUMBER AND DATE CODE (YYDDD) APPROXIMATELY SHOWN.
 - KEEP OUT ZONE FROM OTHER COMPONENTS.

THIS DRAWING CONTAINS INFORMATION THAT IS PROPRIETARY TO MOLEX ELECTRONIC TECHNOLOGIES, LLC AND SHOULD NOT BE USED WITHOUT WRITTEN PERMISSION										
DIMENSION UNITS	SCALE	CURRENT REV DESC: MIGRATED TO NX								
mm	NTS	molex								
GENERAL TOLERANCES (UNLESS SPECIFIED)		IMPACT POWER, 5 PAIR VERTICAL RECEPTACLE PRESS-FIT								
ANGULAR TOL	± 3.0 °	PRODUCT CUSTOMER DRAWING								
4 PLACES	±	EC NO: 612508								
3 PLACES	±	DRWN: AAPPARAOETHAK	2019/02/07							
2 PLACES	± 0.25	CHK'D: ABN	2019/03/12							
1 PLACE	±	APPR: CWANG25	2019/03/13							
0 PLACES	±	INITIAL REVISION:								
		DRWN: KJKOH	2008/10/09							
		APPR: SHONG	2008/10/09							
DRAFT WHERE APPLICABLE MUST REMAIN WITHIN DIMENSIONS		THIRD ANGLE PROJECTION	DRAWING	SERIES	MATERIAL NUMBER	CUSTOMER	DOCUMENT NUMBER	DOC TYPE	DOC PART	REVISION
			A3-SIZE	78216	SEE TABLE	GENERAL MARKET	SD-78216-002	PSD	001	A5
										SHEET NUMBER
										1 OF 2

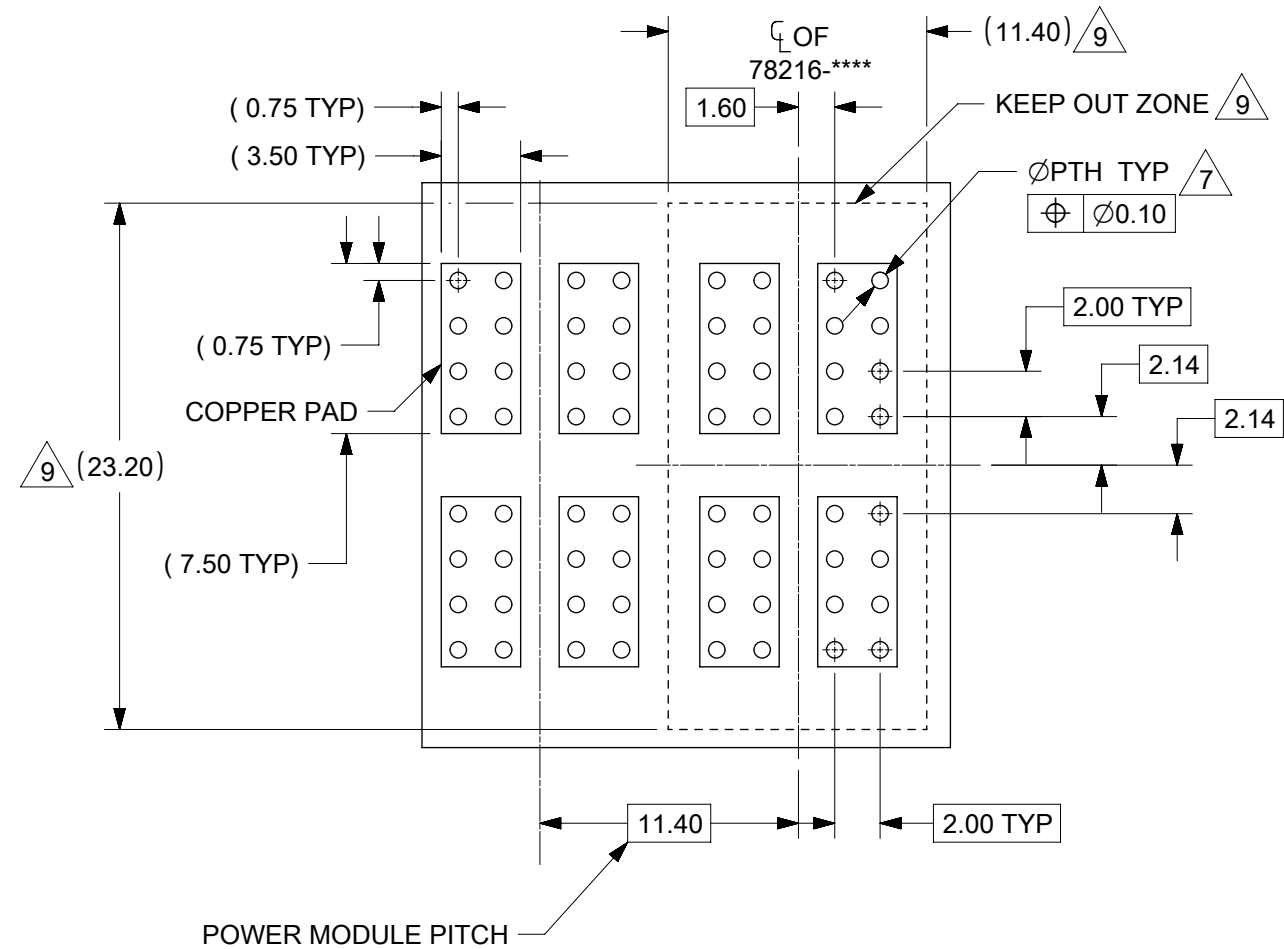
DOCUMENT STATUS	P1	RELEASE DATE	2019/03/13	10:32:42
-----------------	----	--------------	------------	----------



PIN NUMBER ASSIGNMENT BASED ON HEADER SIDE:
 A1, B1 ON THE LEFT,
 A2, B2 ON THE RIGHT.



CIRCUIT PATH OF MATED SYSTEM



RECOMMENDED PCB LAYOUT
 (COMPONENT SIDE SHOWN)
 MINIMUM BOARD THICKNESS: 1.60mm

THIS DRAWING CONTAINS INFORMATION THAT IS PROPRIETARY TO MOLEX ELECTRONIC TECHNOLOGIES, LLC AND SHOULD NOT BE USED WITHOUT WRITTEN PERMISSION															
DIMENSION UNITS mm		SCALE NTS		CURRENT REV DESC: MIGRATED TO NX											
GENERAL TOLERANCES (UNLESS SPECIFIED)				<p>IMPACT POWER, 5 PAIR VERTICAL RECEPTACLE PRESS-FIT</p> <p>PRODUCT CUSTOMER DRAWING</p>											
ANGULAR TOL ± 3.0°															
4 PLACES ±		EC NO: 612508								2019/02/07		DOCUMENT NUMBER		DOC TYPE	
3 PLACES ±		DRWN: AAPPARAOTHAK								2019/03/12		SD-78216-002		PSD	
2 PLACES ± 0.25		CHK'D: ABN								2019/03/13		001		REVISION	
1 PLACE ±		APPR: CWANG25								2019/03/13		A5			
0 PLACES ±		INITIAL REVISION:		DRWN: KJKOH		2008/10/09		MATERIAL NUMBER							
DRAFT WHERE APPLICABLE MUST REMAIN WITHIN DIMENSIONS		THIRD ANGLE PROJECTION		DRAWING		SERIES		CUSTOMER							
				A3-SIZE		78216		GENERAL MARKET							
						SEE TABLE		SHEET NUMBER							
						2 OF 2									