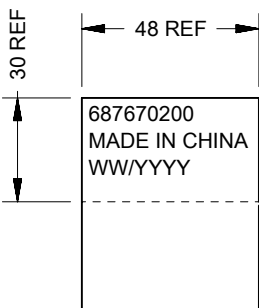
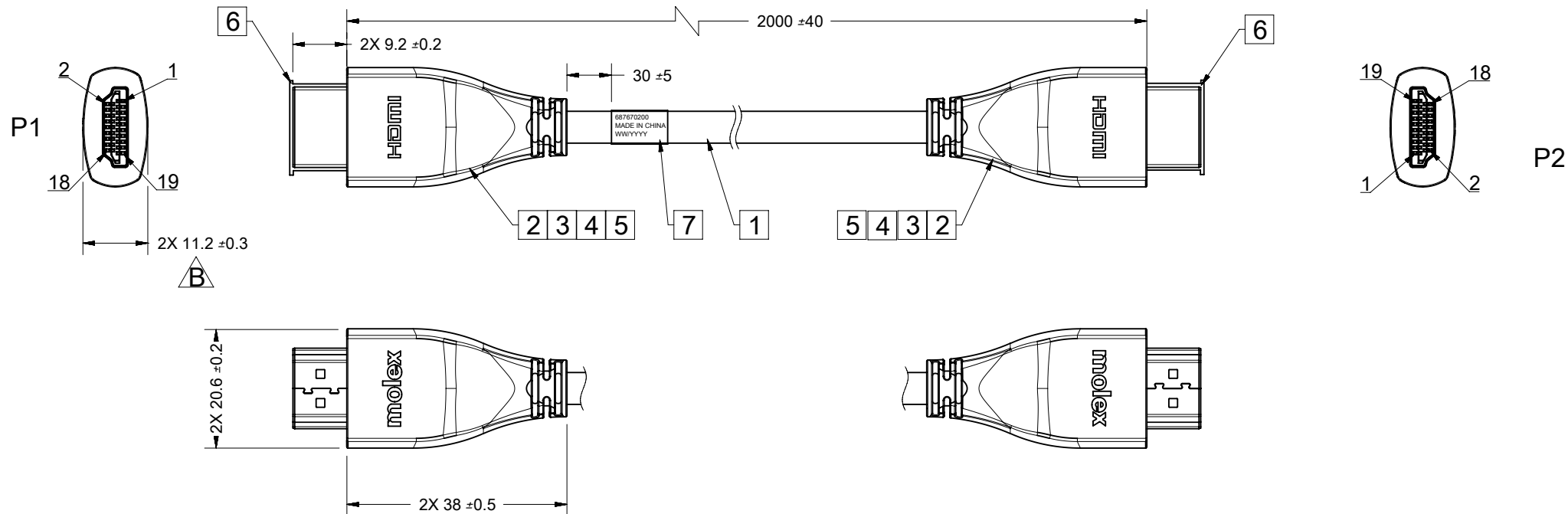


REVISIONS				
EC NO	DATE	REV	DESCRIPTION	CHANGER
NA	2018/08/16	A	INITIAL RELEASE	ROY
CY18-6452	2018/12/25	B	1.CHANGE TOLERANCE OF DIM 11.2 2.CHANGE RAW CABLE	ROY
CY19-5443	2019/7/9	C	CHANGE RAW CABLE COLOR	ROY



7	LABEL	1
6	DUST COVER MOLDED WITH PE	2
5	OVERMOLD BLACK PVC 45P	A/R
4	INNERMOLD LD-PE	A/R
3	METAL SHELL FOR HDMI 19P MALE	2
2	CONN.HDMI 19P MALE,15U"Au Solder Type	2
1	UL20276(30#*1P+EAM)*5+30#*4C+A4EB(AL)BLACK PVC OD:6.0MM	A/R
ITEM	DESCRIPTION	QTY'

THIS DRAWING CONTAINS INFORMATION THAT IS PROPRIETARY TO MOLEX ELECTRONIC TECHNOLOGIES, LLC AND SHOULD NOT BE USED WITHOUT WRITTEN PERMISSION											
SYMBOLS		DIMENSION UNITS		SCALE		CURRENT REV DESC:					
∇ = 0		mm		1:1							
∇ = 0		GENERAL TOLERANCES (UNLESS SPECIFIED)									
∇ = 0		ANGULAR TOL ± °									
S = 0		4 PLACES	±								
▼ = 0		3 PLACES	±								
∇ = 0		2 PLACES	± 0.25								
∇ = 0		1 PLACE	± 0.5								
∇ = 0		0 PLACES	±								
■ = 0		DRAFT WHERE APPLICABLE MUST REMAIN WITHIN DIMENSIONS									
∇ = 0		THIRD ANGLE PROJECTION		DRAWING		SERIES		MATERIAL NUMBER			
		A4-SIZE		201239		687670200		GENERAL MARKET			
EC NO: 620312						2019/07/09					
DRWN: ZZXIAN						2019/07/09					
CHK'D: RLIU44						2019/07/09					
APPR: LHLIU						2019/07/09					
INITIAL REVISION:											
DRWN: ZZXIAN						2018/08/09					
APPR: LHLIU						2018/08/29					
DOCUMENT NUMBER						DOC TYPE		DOC PART		REVISION	
2012390172						PSD		000		C	
SHEET NUMBER						1 OF 2					

molex

HDMI TO HDMI A 1.4 WITH ETHERNET L=2M

PRODUCT CUSTOMER DRAWING

DOCUMENT STATUS	P1	RELEASE DATE	2019/07/09	08:57:21
-----------------	----	--------------	------------	----------

NOTE:

1. ENVIRONMENT REQUIREMENT

1.1 THIS PRODUCT MUST MEET 2011/65/EU ROHS COMPLIANCE.

1.2 FLAMMABILITY RATINGS:

CABLES-UL VW-1 AND CSA FT-1 OR BETTER.

CONNECTORS-UL94V-1 OR BETTER.

2. TEMPERATURE REQUIREMENT:

OPERATING TEMPERATURE RANGE: 0°C~ +70°C

STORAGE TEMPERATURE RANGE:-20°C~ +70°C

3. MECHANICAL SPECIFICATION:

3.1 CABLE FLEXING:

SHOULD PASS 100 CYCLES MINIMUM IN EACH OF 2 PLANES AT THE SPEED OF

12 TO 14 COMPLETE CYCLES (OF 180 TOTAL TRAVERSE) PER MINUTE, WITH

X=3.7 TIMES OF CABLE DIAMETER (PER EIA-364-41, CONDITION I);

NO ELECTRICAL DISCONTINUITY OVER 1 MICROSECOND, CONFORM TO ITEM OF

DIELECTRIC WITHSTANDING VOLTAGE AND INSULATION RESISTANCE

3.2 PULLING FORCE:

THE CABLE ASSEMBLY SHOULD BE SUBJECTED TO A 40N AXIAL LOAD FOR MINIMUM OF

1 MINUTE PER 364-38, NO VISIBLE PHYSICAL DAMAGE AND NO ELECTRICAL DISCONTINUITY

OVER 1 MICROSECOND TO THE CABLE ASSEMBLY

4. ELECTRICAL CHARACTERISTIC;

4.1 RATED VOLTAGE RATING: 40V AC (RMS).

4.2 RATED CURRENT RATING: 0.5A AC (RMS)/DC

4.3 THIS PRODUCT MUST PASS 100% CONTINUITY TEST.

4.4 INSULATION RESISTANCE (MATED CONNECTOR): 10 M ohms MIN/DC150V

4.5 CONDUCTIVE RESISTANCE: 2.6 Ohms MAX.

4.6 MEET HDMI1.4 SPEC

5. ALL CONNECTOR AND WIRING NEED CONFORM TO INDUSTRY REQUIREMENT

6. LABEL FONT: ARIAL FONT, TEXT HEIGHT IS ABOUT 2MM.

PIN ASSIGNMENT

P1		P2	SIGNAL
PIN3		PIN3	TMDS DATA 2-
PIN1		PIN1	TMDS DATA 2+
PIN2		PIN2	TMDS DATA2 SHIELD
PIN6		PIN6	TMDS DATA 1-
PIN4		PIN4	TMDS DATA 1+
PIN5		PIN5	TMDS DATA1 SHIELD
PIN9		PIN9	TMDS DATA 0-
PIN7		PIN7	TMDS DATA 0+
PIN8		PIN8	TMDS DATA0 SHIELD
PIN12		PIN12	TMDS CLOCK-
PIN10		PIN10	TMDS CLOCK+
PIN11		PIN11	TMDS CLOCK SHIELD
PIN14		PIN14	UTILITY/HEAC+
PIN19		PIN19	HOT PLUG DETECT/HEAC-
PIN17		PIN17	DDC/CEC GROUND/HEAC SHIELD
PIN13		PIN13	CEC
PIN15		PIN15	SCL
PIN16		PIN16	SDA
PIN18		PIN18	+5V POWER
SHELL	SHELL	GROUND	

SYMBOLS DIMENSION UNITS: mm SCALE: 1:1 GENERAL TOLERANCES (UNLESS SPECIFIED) ANGULAR TOL: ± ° 4 PLACES: ± 3 PLACES: ± 2 PLACES: ± 0.25 1 PLACE: ± 0.5 0 PLACES: ± DRAFT WHERE APPLICABLE MUST REMAIN WITHIN DIMENSIONS THIRD ANGLE PROJECTION DRAWING: A4-SIZE SERIES: 201239 MATERIAL NUMBER: 687670200 CUSTOMER: GENERAL MARKET SHEET NUMBER: 2 OF 2	THIS DRAWING CONTAINS INFORMATION THAT IS PROPRIETARY TO MOLEX ELECTRONIC TECHNOLOGIES, LLC AND SHOULD NOT BE USED WITHOUT WRITTEN PERMISSION		CURRENT REV DESC:			
	EC NO: 620312		2019/07/09			HDMI TO HDMI A 1.4 WITH ETHERNET L=2M PRODUCT CUSTOMER DRAWING
	DRWN: ZZXIAN		2019/07/09			
	CHK'D: RLIU44		2019/07/09		DOCUMENT NUMBER: 2012390172 DOC TYPE: PSD DOC PART: 000 REVISION: C	
	APPR: LHLIU		2019/07/09			
	INITIAL REVISION:		2018/08/09		MATERIAL NUMBER: 687670200 CUSTOMER: GENERAL MARKET SHEET NUMBER: 2 OF 2	
	DRWN: ZZXIAN		2018/08/29			
	APPR: LHLIU		2018/08/29			

DOCUMENT STATUS	P1	RELEASE DATE	2019/07/09	08:57:21
-----------------	----	--------------	------------	----------