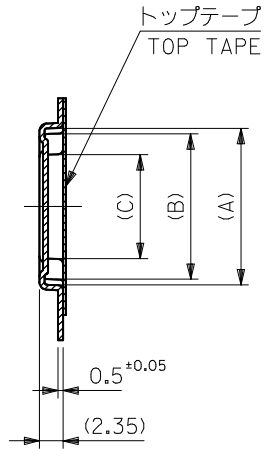
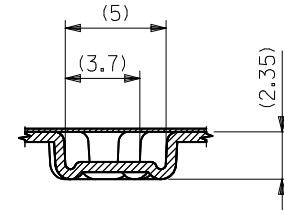
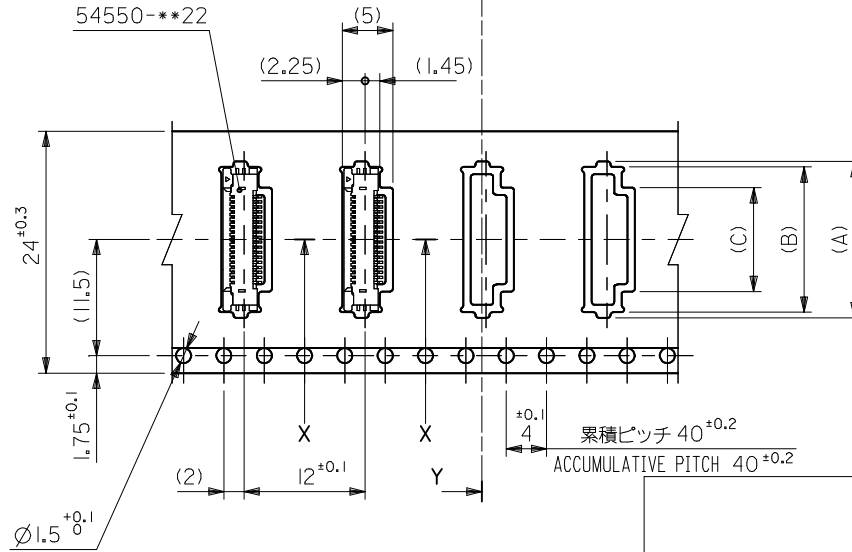


引き出し方向
PULL OUT DIRECTION



SECT. Y-Y



SECT. X-X

24mm幅キャリアテープ
24mm WIDTH CARRIER TAPE

24	29.4	25.4	12.3	16.4	17.5	54550-2233	22
			11.8	15.9	17	54550-2133	21
			11.3	15.4	16.5	54550-2033	20
			10.8	14.9	16	54550-1933	19
			10.3	14.4	15.5	54550-1833	18
			9.8	13.9	15	54550-1733	17
			9.3	13.4	14.5	54550-1633	16
			8.8	12.9	14	54550-1533	15
			8.3	12.4	13.5	54550-1433	14
			7.8	11.9	13	54550-1333	13
			7.3	11.4	12.5	54550-1233	12
			6.8	10.9	12	54550-1133	11
			6.3	10.4	11.5	54550-1033	10
			5.8	9.9	11	54550-0933	9
5.3	9.4	10.5	54550-0833	8			
4.8	8.9	10	54550-0733	7			
キャリアテープ幅 CARRIER TAPE WIDTH	E	D	(C)	(B)	(A)	製品番号 MATERIAL No.	極数 Ck†

54550-**33 MODEL No.

RELEASED EC NO.: J2013-1014 DRWN: NKONDO 2012/09/13 CHKD: TAKAHASHI 2012/09/13 APPR: KMORIKAWA 2013/03/15	GENERAL TOLERANCES (UNLESS SPECIFIED)		DIMENSION STYLE MM ONLY		SCALE ---	DESIGN UNITS METRIC	THIRD ANGLE PROJECTION
	10 UNDER	±0.2	DRAWN BY NKONDO	DATE 2012/09/13	TITLE EMBOSS TAPE PACKAGED FOR 0.5MM FPC CONN ZIF R/A HOUSING ASSY molex DOCUMENT NO. SD-54550-076 SHEET NO. 3 OF 4		
	10 OVER 30 UNDER	±0.25	CHECKED BY KTAKAHASHI	DATE 2012/09/13			
	30 OVER	±0.3	APPROVED BY KMORIKAWA	DATE 2013/03/15			
ANGULAR ±3 °		MATERIAL NO.	SEE CHART				
DRAFT WHERE APPLICABLE MUST REMAIN WITHIN DIMENSIONS		THIS DRAWING CONTAINS INFORMATION THAT IS PROPRIETARY TO MOLEX INCORPORATED AND SHOULD NOT BE USED WITHOUT WRITTEN PERMISSION					