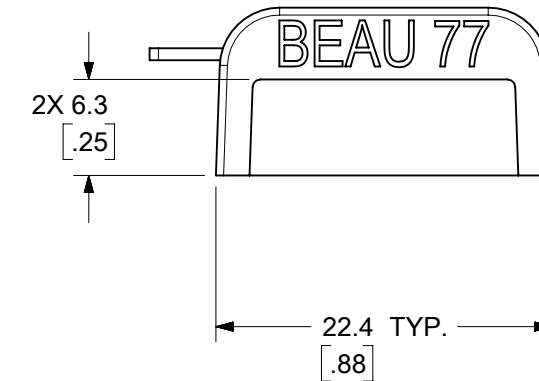
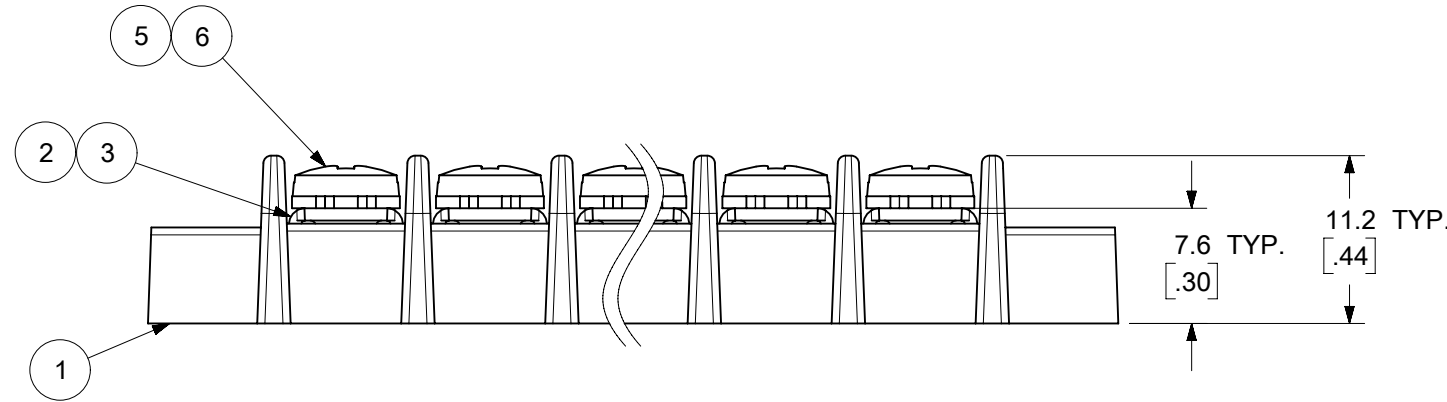
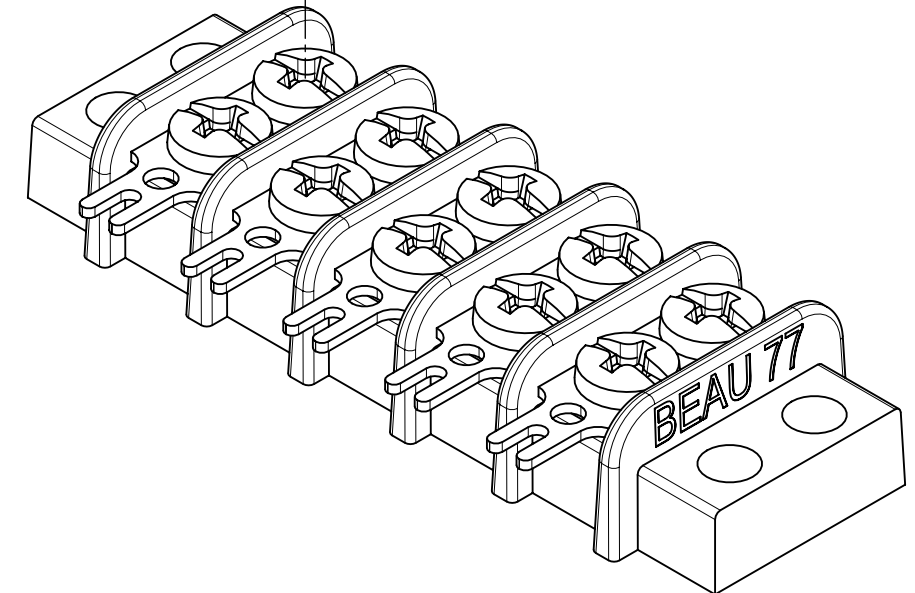
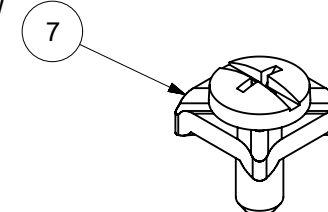




REF -50 OPTION SCREW
(WHERE APPLICABLE)



- NOTES:
1. MATERIAL: SEE TABLE
 2. FINISHES: SEE TABLE
 3. PRODUCT SPECIFICATION: NOT REQUIRED
 4. INCH DIMENSIONS ARE SHOWN IN BRACKETS [XXX].
 5. "XX" REFERS TO THE QUANTITY OF CIRCUITS.
 6. ALL COMPONENTS ARE ROHS COMPLIANT.

TOLERANCES			
MM	TOL	INCH	TOL
0-6	±0.25	0-.24	±.010
>6-30	±0.40	.24-1.18	±.016
>30-120	±0.50	1.18-4.76	±.020
>120	±0.80	>4.76	±.031



7	XX*2	SCREW, #6-32X.250 PAN HD, PHIL-SLOT W/WSHR (-50 OPTION)	STEEL	ZINC CHROMATE
6	XX*2	SCREW, #6-32X.250 BGHD, PHIL-SLOT (-49 OPTION)	BRASS	NICKEL
5	XX*2	SCREW, #6-32X.250, BGHD PHIL-SLOT (STANDARD)	STEEL	ZINC CHROMATE
4	XX	TERMINAL, SOLDER VW	BRASS	TIN
3	XX	TERMINAL PLATE (-49 OPTION)	BRASS	TIN
2	XX	TERMINAL PLATE (STANDARD)	BRASS	NICKEL
1	1	INSULATOR	THERMOPLASTIC	BLACK
ITEM	QTY	DESCRIPTION	MATERIAL	FINISH

THIS DRAWING CONTAINS INFORMATION THAT IS PROPRIETARY TO MOLEX ELECTRONIC TECHNOLOGIES, LLC AND SHOULD NOT BE USED WITHOUT WRITTEN PERMISSION

FUNCTIONAL SYMBOLS	DIMENSION UNITS	SCALE	CURRENT REV DESC: MIGRATED TO ECTR/NX & ADDED TOLERANCE TABLE	
$\frac{A}{A} = 0$	MM/INCH	2:1		
$\frac{E}{E} = 0$	GENERAL TOLERANCES (UNLESS SPECIFIED)			
$\frac{F}{F} = 0$		MM	INCH	
DIVISIONAL SYMBOLS	4 PLACES	±	---	±
	3 PLACES	±	---	±
	2 PLACES	±	---	±
	1 PLACE	±	---	±
	0 PLACES	±	---	±
	ANGULAR TOL	±	---	±
DRAFT WHERE APPLICABLE MUST REMAIN WITHIN DIMENSIONS		THIRD ANGLE PROJECTION	DRAWING	SERIES
			B-SIZE	38770
		EC NO: 640540	2020/04/28	
		DRWN: ABENJAMINLW	2020/05/13	
		CHK'D: MBRZOZOWSKI	2020/07/03	
		APPR: JFMURPHY		
		INITIAL REVISION:		
		DRWN: EHILE	2006/05/08	
		APPR: RDEROSS	2006/05/11	
DOCUMENT STATUS		DOC NUMBER	DOC TYPE	DOC PART
P1	RELEASE DATE	SD-38770-002	PSD	001
2020/07/03	20:25:46	GENERAL MARKET		
		SHEET NUMBER		
		1 OF 2		

NO. OF CIRCUITS "XX"	DIM. "A"		DIM. "B"		DIM. "C"		DIM. "D"		ASSEMBLY MATERIAL NO. (STANDARD)	ASSEMBLY MATERIAL NO. (-49 OPTION)	ASSEMBLY MATERIAL NO. (-50 OPTION)
	mm	INCH	mm	INCH	mm	INCH	mm	INCH			
2	35.7	[1.41]	9.53	.[375]	28.6	[1.13]	21.3	.[84]	387700702	387700802	387702702
3	45.2	[1.78]	19.05	.[750]	38.1	[1.50]	30.8	[1.21]	387700703	387700803	387702703
4	54.7	[2.16]	28.58	[1.125]	47.6	[1.88]	40.3	[1.59]	387700704	387700804	387702704
5	64.3	[2.53]	38.10	[1.500]	57.2	[2.25]	49.8	[1.96]	387700705	387700805	387702705
6	73.8	[2.91]	47.63	[1.875]	66.7	[2.63]	59.4	[2.34]	387700706	387700806	387702706
7	83.3	[3.28]	57.15	[2.250]	76.2	[3.00]	68.9	[2.71]	387700707	387700807	387702707
8	92.8	[3.66]	66.68	[2.625]	85.7	[3.38]	78.4	[3.09]	387700708	387700808	387702708
9	102.4	[4.03]	76.20	[3.000]	95.3	[3.75]	87.9	[3.46]	387700709	387700809	387702709
10	111.9	[4.41]	85.73	[3.375]	104.8	[4.13]	97.5	[3.84]	387700710	387700810	387702710
11	121.4	[4.78]	95.25	[3.750]	114.3	[4.50]	107.0	[4.21]	387700711	387700811	387702711
12	130.9	[5.16]	104.78	[4.125]	123.8	[4.88]	116.5	[4.59]	387700712	387700812	387702712
13	140.5	[5.53]	114.30	[4.500]	133.4	[5.25]	126.0	[4.96]	387700713	387700813	387702713
14	150.0	[5.91]	123.83	[4.875]	142.9	[5.63]	135.6	[5.34]	387700714	387700814	387702714
15	159.5	[6.28]	133.35	[5.250]	152.4	[6.00]	145.1	[5.71]	387700715	387700815	387702715
16	169.0	[6.66]	142.88	[5.625]	161.9	[6.38]	154.6	[6.09]	387700716	387700816	387702716
17	178.6	[7.03]	152.40	[6.000]	171.5	[6.75]	164.1	[6.46]	387700717	387700817	387702717
18	188.1	[7.41]	161.93	[6.375]	181.0	[7.13]	173.7	[6.84]	387700718	387700818	387702718
19	197.6	[7.78]	171.45	[6.750]	190.5	[7.50]	183.2	[7.21]	387700719	387700819	387702719
20	207.1	[8.16]	180.98	[7.125]	200.0	[7.88]	192.7	[7.59]	387700720	387700820	387702720
21	216.7	[8.53]	190.50	[7.500]	209.6	[8.25]	202.2	[7.96]	387700721	387700821	387702721
22	226.2	[8.91]	200.03	[7.875]	219.1	[8.63]	211.8	[8.34]	387700722	387700822	387702722
23	235.7	[9.28]	209.55	[8.250]	228.6	[9.00]	221.3	[8.71]	387700723	387700823	387702723
24	245.2	[9.66]	219.08	[8.625]	238.1	[9.38]	230.8	[9.09]	387700724	387700824	387702724
25	254.2	[10.03]	228.60	[9.000]	247.7	[9.75]	240.3	[9.46]	387700725	387700825	387702725
26	264.3	[10.41]	238.13	[9.375]	257.2	[10.13]	249.9	[9.84]	387700726	387700826	387702726
27	273.8	[10.78]	247.65	[9.750]	266.7	[10.50]	259.4	[10.21]	387700727	387700827	387702727
28	283.3	[11.16]	257.18	[10.125]	276.2	[10.88]	268.9	[10.59]	387700728	387700828	387702728
29	292.9	[11.53]	266.70	[10.500]	285.8	[11.25]	278.4	[10.96]	387700729	387700829	387702729
30	302.4	[11.91]	276.23	[10.875]	295.3	[11.63]	288.0	[11.34]	387700730	387700830	387702730

TOLERANCES			
MM	TOL	INCH	TOL
0-6	±0.25	0-.24	±.010
>6-30	±0.40	.24-1.18	±.016
>30-120	±0.50	1.18-4.76	±.020
>120	±0.80	>4.76	±.031

FUNCTIONAL SYMBOLS												THIS DRAWING CONTAINS INFORMATION THAT IS PROPRIETARY TO MOLEX ELECTRONIC TECHNOLOGIES, LLC AND SHOULD NOT BE USED WITHOUT WRITTEN PERMISSION											
DIMENSION UNITS				SCALE				CURRENT REV DESC: MIGRATED TO ECTR/NX & ADDED TOLERANCE TABLE				 9.53MM [.375] DOUBLE ROW LOW PROFILE BTS ASSY											
MM/INCH				2:1																			
GENERAL TOLERANCES (UNLESS SPECIFIED)												EC NO: 640540 DRWN: ABENJAMINLW CHK'D: MBRZOZOWSKI APPR: JFMURPHY INITIAL REVISION: DRWN: EHILE APPR: RDEROSS											
4 PLACES		± ---		± ---		± ---		± ---		± ---													
3 PLACES		± ---		± ---		± ---		± ---		± ---													
2 PLACES		± ---		± ---		± ---		± ---		± ---													
1 PLACE		± ---		± ---		± ---		± ---		± ---													
0 PLACES		± ---		± ---		± ---		± ---		± ---													
ANGULAR TOL				± ---																			
DRAFT WHERE APPLICABLE MUST REMAIN WITHIN DIMENSIONS				THIRD ANGLE PROJECTION				DRAWING				SERIES											
								B-SIZE				38770											
DOCUMENT NUMBER				SD-38770-002				DOC TYPE				PSD											
DOC PART				001				REVISION				A2											
MATERIAL NUMBER				SEE CHART				CUSTOMER				GENERAL MARKET											
SHEET NUMBER				2 OF 2																			

NO. OF CIRCUITS "XX"	DIM "A"		DIM "B"		DIM "C"		DIM "D"		ASSEMBLY MATERIAL NO. (STANDARD)	ASSEMBLY MATERIAL NO. (-49 OPTION)	ASSEMBLY MATERIAL NO. (-50 OPTION)
	mm	INCH	mm	INCH	mm	INCH	mm	INCH			
2	35.7	1.41	9.5	0.38	28.6	1.13	21.3	0.84	387700702	387700802	387702702
3	45.2	1.78	19.1	0.75	38.1	1.50	30.8	1.21	387700703	387700803	387702703
4	54.7	2.16	28.6	1.13	47.6	1.88	40.3	1.59	387700704	387700804	387702704
5	64.3	2.53	38.1	1.50	57.2	2.25	49.8	1.96	387700705	387700805	387702705
6	73.8	2.91	47.6	1.88	66.7	2.63	59.4	2.34	387700706	387700806	387702706
7	83.3	3.28	57.2	2.25	76.2	3.00	68.9	2.71	387700707	387700807	387702707
8	92.8	3.66	66.7	2.63	85.7	3.38	78.4	3.09	387700708	387700808	387702708
9	102.4	4.03	76.2	3.00	95.3	3.75	87.9	3.46	387700709	387700809	387702709
10	111.9	4.41	85.7	3.38	104.8	4.13	97.5	3.84	387700710	387700810	387702710
11	121.4	4.78	95.3	3.75	114.3	4.50	107.0	4.21	387700711	387700811	387702711
12	130.9	5.16	104.8	4.13	123.8	4.88	116.5	4.59	387700712	387700812	387702712
13	140.5	5.53	114.3	4.50	133.4	5.25	126.0	4.96	387700713	387700813	387702713
14	150.0	5.91	123.8	4.88	142.9	5.63	135.6	5.34	387700714	387700814	387702714
15	159.5	6.28	133.4	5.25	152.4	6.00	145.1	5.71	387700715	387700815	387702715
16	169.0	6.66	142.9	5.63	161.9	6.38	154.6	6.09	387700716	387700816	387702716
17	178.6	7.03	152.4	6.00	171.5	6.75	164.1	6.46	387700717	387700817	387702717
18	188.1	7.41	161.9	6.38	181.0	7.13	173.7	6.84	387700718	387700818	387702718
19	197.6	7.78	171.5	6.75	190.5	7.50	183.2	7.21	387700719	387700819	387702719
20	207.1	8.16	181.0	7.13	200.0	7.88	192.7	7.59	387700720	387700820	387702720
21	216.7	8.53	190.5	7.50	209.6	8.25	202.2	7.96	387700721	387700821	387702721
22	226.2	8.91	200.0	7.88	219.1	8.63	211.8	8.34	387700722	387700822	387702722
23	235.7	9.28	209.6	8.25	228.6	9.00	221.3	8.71	387700723	387700823	387702723
24	245.2	9.66	219.1	8.63	238.1	9.38	230.8	9.09	387700724	387700824	387702724
25	254.8	10.03	228.6	9.00	247.7	9.75	240.3	9.46	387700725	387700825	387702725
26	264.3	10.41	238.1	9.38	257.2	10.13	249.9	9.84	387700726	387700826	387702726
27	273.8	10.78	247.7	9.75	266.7	10.50	259.4	10.21	387700727	387700827	387702727
28	283.3	11.16	257.2	10.13	276.2	10.88	268.9	10.59	387700728	387700828	387702728
29	292.9	11.53	266.7	10.50	285.8	11.25	278.4	10.96	387700729	387700829	387702729
30	302.4	11.91	276.2	10.88	295.3	11.63	288.0	11.34	387700730	387700830	387702730

INITIAL RELEASE EC NO: ETC2006-0344 DRW:EHILE CHKD:RDEROSS APPR:RDEROSS	2006/05/08 2006/05/11 2006/05/11	DESCRIPTION A	REV	QUALITY SYMBOLS ▽=0 ▽=0	GENERAL TOLERANCES (UNLESS SPECIFIED) mm INCH 4 PLACES ± --- ±.0015 3 PLACES ± 0.038 ±.005 2 PLACES ± 0.13 ±.01 1 PLACE ± 0.3 ± --- ANGULAR ± 2 °	DIMENSION STYLE MM/IN DRAWN BY DATE EHILE 2006/04/04 CHECKED BY DATE RDEROSS 2006/04/04 APPROVED BY DATE RDEROSS 2006/04/04	SCALE 2:1 DESIGN UNITS INCH THIRD ANGLE PROJECTION	TITLE 9.53MM [.375] DOUBLE ROW LOW PROFILE BTS ASSY
				MATERIAL NO. SEE CHART	DOCUMENT NO. SD-38770-002	SHEET NO. 2 OF 2		
				DRAFT WHERE APPLICABLE MUST REMAIN WITHIN DIMENSIONS				
				THIS DRAWING CONTAINS INFORMATION THAT IS PROPRIETARY TO MOLEX INCORPORATED AND SHOULD NOT BE USED WITHOUT WRITTEN PERMISSION				