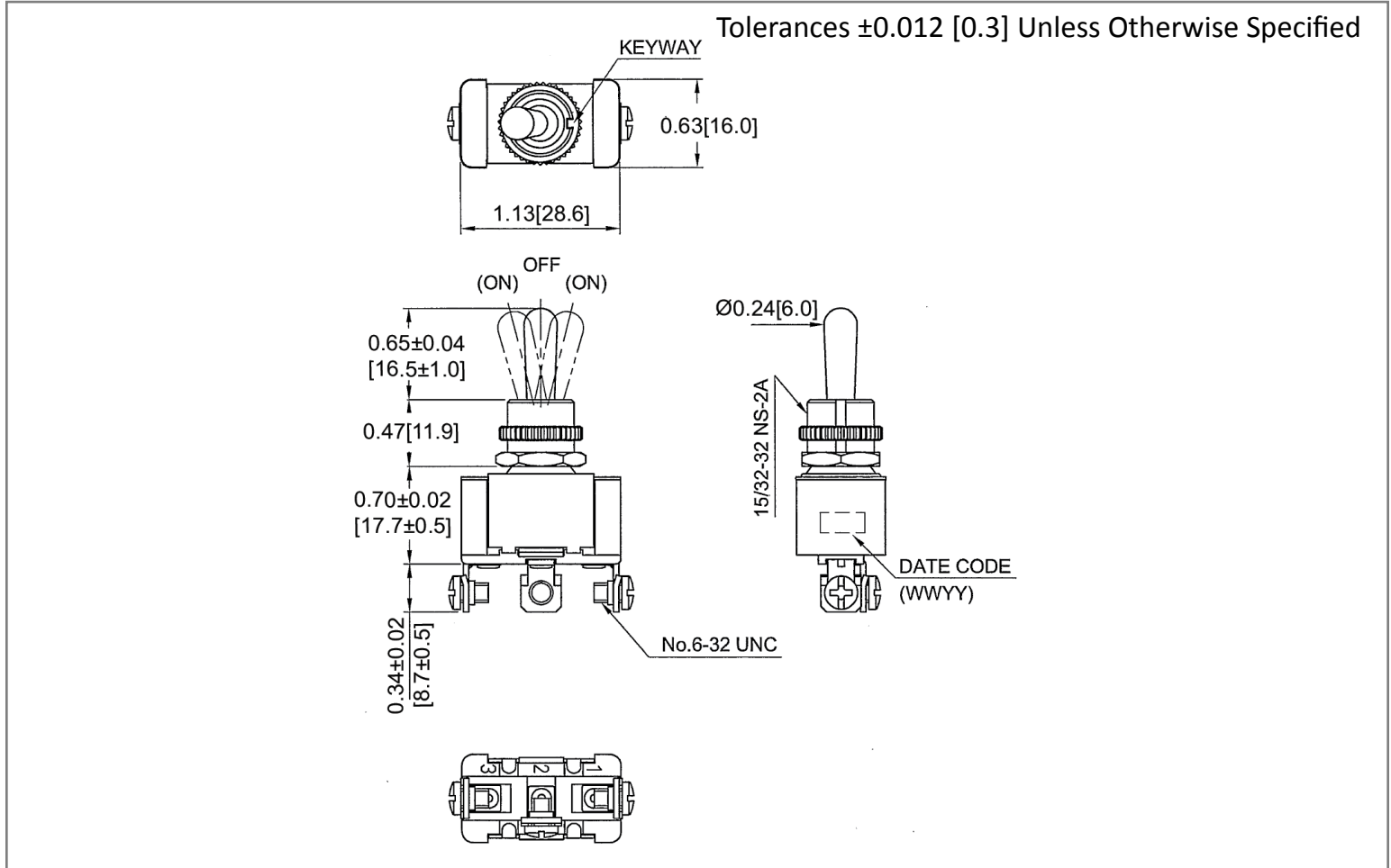
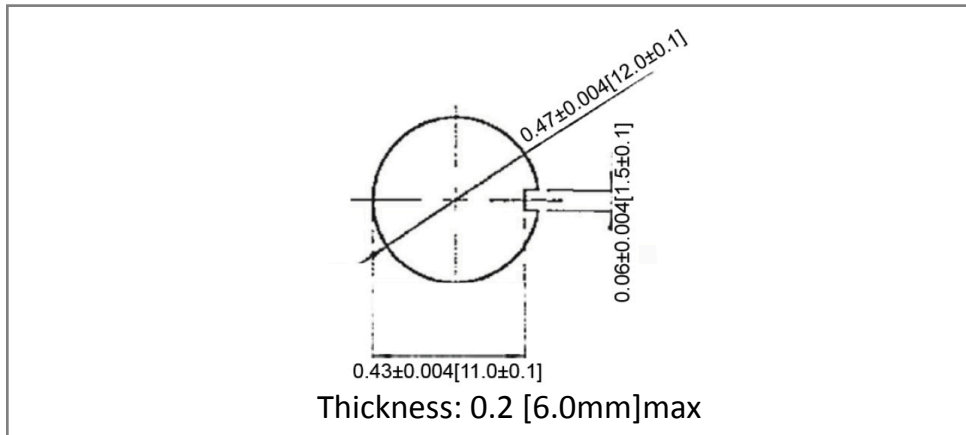


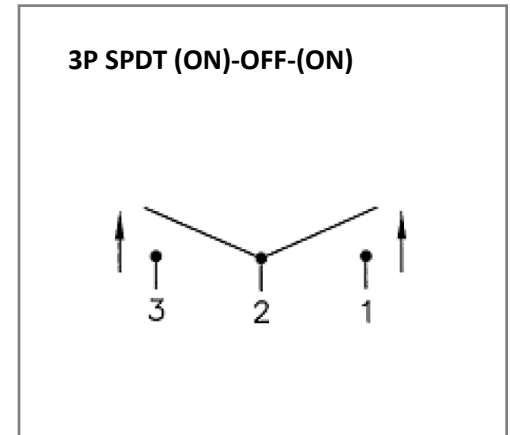
Mechanical Dimensions: Inches [mm]



Mounting Hole



Circuit Diagram



Electrical Specifications

Rating	12(4)A 125/250V AC 20A 125V AC, 10A 277V AC, 3/4HP 125-250V AC
Contact Resistance	50m ohm Max
Insulation Resistance	DC 500V 100m ohm Min
Dielectric Strength	AC 1500V 1 minute
Operation Temperature	-20°C ~ 85°C

Material Specifications

Operation Force	OFF-ON: 1100gf \pm 300 gf, ON-OFF: 600gf \pm 200 gf
	1 hex nut assy
	1 knurl nut assy

Rev **Date of issue** **Revision Notes**

Designed **Approved**

A	02-18-2019	Initial Drawing	RC	OF
---	------------	-----------------	----	----