

26 March 2018

PDN (Product Discontinuation Notification) reference: **2018/04**

Subject: **SFJE* Product Family Withdrawal**

Dear Customer,

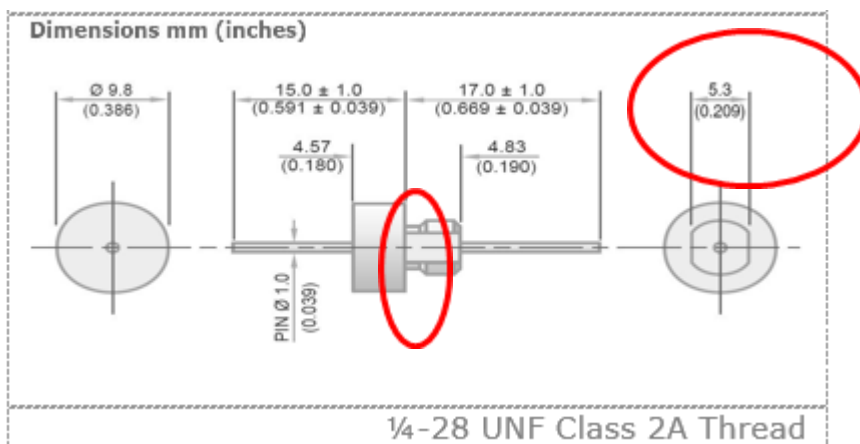
Knowles Precision Devices regrets to advise that the EMI filter family SFJE* (all part numbers beginning with SFJE) will now be withdrawn. An alternative family range (SFJG*) with an improved mechanical design was launched some years ago and has been running in parallel with SFJE*. The SFJG range meets all SFJE* specifications with the exception of the thread across flats dimension.

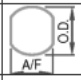
Note: Changing to the SFJG* product family range will require customers to modify the attachment hole in the mounting chassis.

The SFJG family range has been available in the catalogue for several years and is already used extensively (particularly in aerospace).

There is no electrical or performance difference between the SFJE* and SFJG* ranges. The filtering elements and internal design of both components are identical.

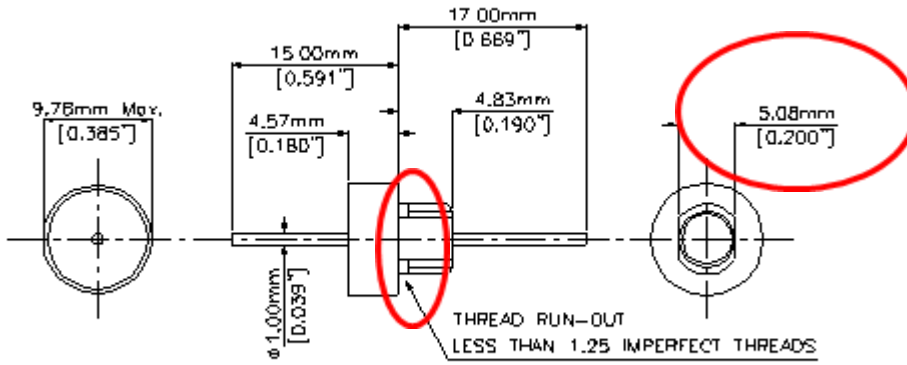
SFJE* (product family being withdrawn)



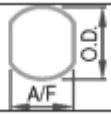
Mounting Hole Diameter	 6.7mm O.D., 5.5mm A/F (0.264" O.D., 0.217" A/F)
Max. Panel Thickness	2.3mm (0.091")

SFJG* (alternative product family)

Dimensions mm (inches)



1/4-28 UNF Class 2A Thread

Mounting Hole Diameter		6.7mm O.D., 5.3mm A/F (0.264" O.D., 0.217" A/F)
Max. Panel Thickness		2.3mm (0.091")

The change affects all SFJEC*, SFJEL* & SFJEB* components. Their replacements are SFJGC*, SFJGL* & SFJGB*. As mentioned previously, there are no electrical differences between the families, although the SFJG does have the advantage of a Pi version which is not available in the SFJE* range.

As of 1st March 2018, there were ~1200 SFJE bodies remaining stock, so Last Time Buy is offered on a first come, first served basis.

If you require further information, please contact Knowles sales.

Yours sincerely,

Stephen Watts
Global Director of Quality and Compliance
Knowles Capacitors

PDN Details

PDN reference: 2018/04

PDN Issue Date: 26th March 2018

Product: SFJE* product family (all part numbers starting with SFJE)

Change Description: Product to be discontinued.

Reasons for Change: Not viable to maintain 2 very similar product ranges. An alternative family range (SFJG*) is available with an improved mechanical design that meets all SFJE* specifications.
Note: Changing to the SFJG* product family range will require customers to modify the hole in the mounting chassis.

Alternative Part Number(s) Available: SFJEC* alternative: SFJGC*.
SFJEL* alternative: SFJGL*.
SFJEB* alternative: SFJGB*.

Alternative Part Samples: Available on request.

Withdrawal date: To be determined by customer orders / material availability. Limited piece parts are available on a first come, first served basis.