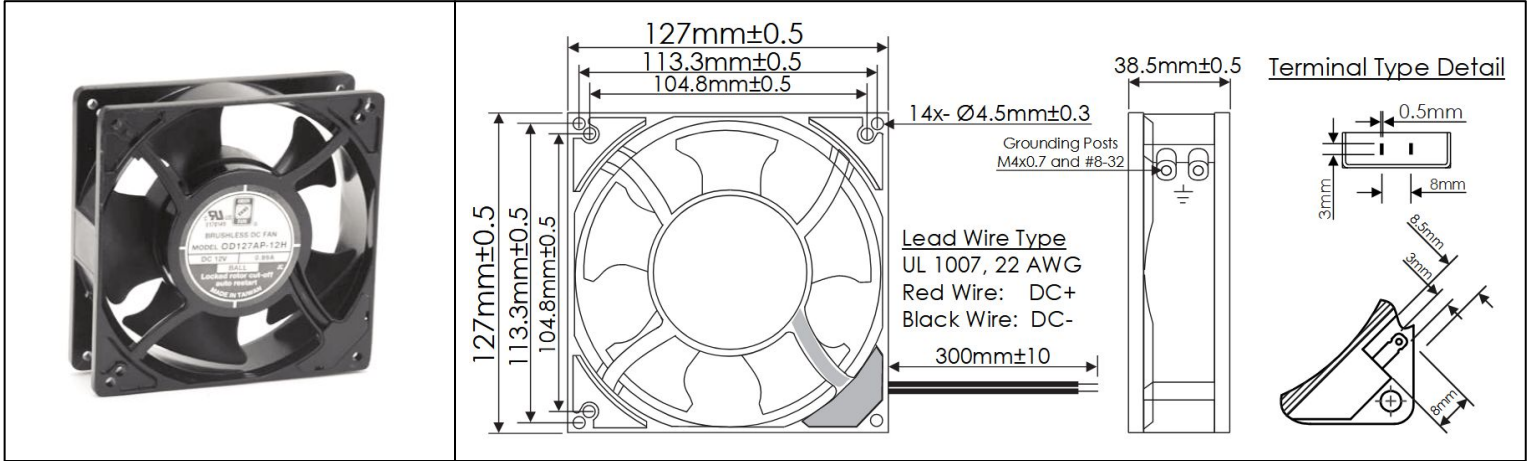


# OD127AP Series



DC Fans - 12, 24, 48V  
127mm x 38.5mm (5.0" x 1.5")



<b>Frame</b>	Die Cast Aluminum, Black Finish	<b>Operating Temperature</b> -20°C ~ +65°C  <b>Storage Temperature</b> -20°C ~ +75°C  <b>Life Expectancy</b> 100,000 Hours (L10 at 35°C)  <b>Available Options</b> PWM Speed Control Input Tachometer Output Alarm Output Thermistor Speed Control IP Ratings  Weight: 0.93 lbs	
<b>Impeller</b>	PBT, UL94 V-0 Plastic		
<b>Connection</b>	2x Lead Wires, 22 AWG, or Terminals		
<b>Motor</b>	Brushless DC, Auto Cutoff, Auto Restart, Polarity Protected, Electronically Protected		
<b>Bearing System</b>	Ball Bearings		
<b>Dielectric Strength</b>	500VDC/min, <5mA		
<b>Insulation Resistance</b>	≥10MΩ @ 500 VDC		

Part Number	Rated Voltage (Volts DC)	Voltage Range (Volts DC)	Input Power (Watts)	Rated Current (Amps)	Rated Speed (RPM)	Max Airflow (CFM)	Noise Level (dBA)	Max Static Pressure (\"H <sub>2</sub> O)
OD127AP-12H*	12	10 ~ 13.8	10.6	0.88	3200	140	46	0.41
OD127AP-12M*	12	10 ~ 13.8	6.00	0.50	2600	108	38	0.33
OD127AP-12L*	12	10 ~ 13.8	2.40	0.20	1900	86	30	0.23
OD127AP-24H*	24	21 ~ 26.4	10.3	0.43	3200	140	46	0.41
OD127AP-24M*	24	21 ~ 26.4	5.50	0.23	2600	108	38	0.33
OD127AP-24L*	24	21 ~ 26.4	3.60	0.15	1900	86	30	0.23
OD127AP-48H*	48	44 ~ 52.8	10.6	0.22	3200	140	46	0.41
OD127AP-48M*	48	44 ~ 52.8	5.00	0.10	2600	108	38	0.33
OD127AP-48L*	48	44 ~ 52.8	3.40	0.07	1900	86	30	0.23

\* Substitute "TB" for Terminal type power connection, or "B" for Wire Lead type power connection.