



## Specifications

Electrical Ratings	50mA @ 50VDC	Dielectric Strength	250Vrms min
Electrical Life	100,000 cycles typical	Insulation Resistance	>100MΩ min
Contact Resistance	<50mΩ initial	Operating Temperature	-40°C to 85°C
Actuation Force	200 ± 50gF	Storage Temperature	-40°C to 85°C
Actuation Travel	.230 ± .1mm		

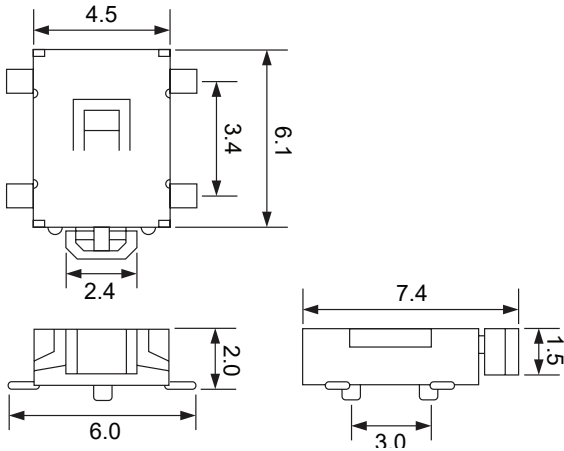
## Materials

Actuator	PA6T Nylon
Housing	PA6T Nylon
Cover	Stainless Steel
Contacts	Stainless Steel, Silver Plated
Terminals	Phosphor Bronze, Silver Plated

## Ordering Information

1. Series	CS1206
CS1206	

## Dimensions



## Schematic & PC Layout

