

Fox Part Number: 603-40-48

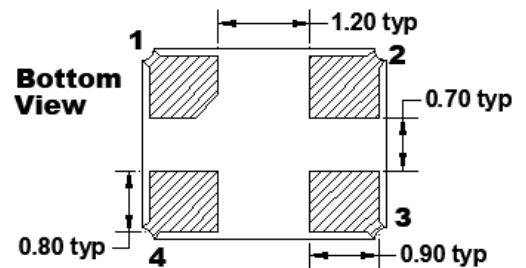
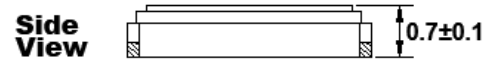
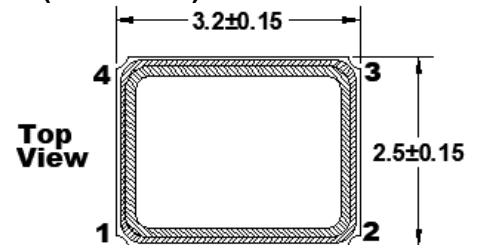
LEAD-FREE, CERAMIC, SMD, CRYSTAL
MODEL: C3BS (Formerly FX325BS Series)

RoHS / REACH Compliant / Pb-Free

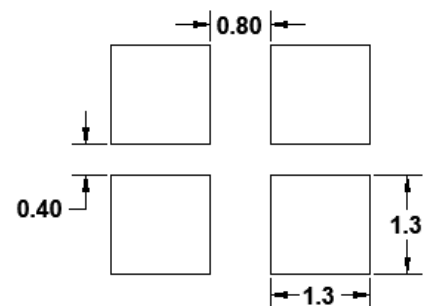
A. Specifications

Parameters	
Frequency	40.000 MHz
Resonance Mode	Fundamental
Frequency Tolerance @ 25°C	±20 PPM Max
Frequency Stability, ref @ 25°C Over Operating Temp. Range	±20 PPM Max
Temperature Range	
Operating (T _{OPR})	-40°C ~ +85°C
Storage (T _{STG})	-55°C ~ +125°C
Equivalent Series Resistance (ESR)	30 Ohms Max
Shunt Capacitance (C ₀)	3 pF Max
Load Capacitance (C _L)	12 pF
Drive Level	0.3 mW Max
Aging Per 10 Years	±11 PPM Max
Maximum Soldering Temp / Time	260°C / 10 Seconds x2
Moisture Sensitivity Level (MSL) Per J-STD-033	N/A
Termination Finish:	Au (0.3~1µm) over Ni (1.27~8.89µm)
Lead (Pb) Free	Yes
RoHS Compliant	Yes, no exemptions
REACH Compliance	Yes

B. Mechanical / Dimensions (millimeters):



Recommended Solder Pad Layout



Dimensions in mm

Pin Connections

#1 - Crystal #2 - Lid/Gnd
 #3 - Crystal #4 - Lid/Gnd

Tape & Reel details on page 2

NOTE: The above specifications, having been carefully prepared and checked, is believed to be accurate at the time of publication; however, no responsibility is assumed by Fox Electronics for inaccuracies.

Reference / Comments	Title / Description: Product Specifications		
Initial release	Drawing Number: DWG-102121		Revision: A
	Part Number: 603-40-48		Cage: 61429
	Draftsperson: DG	Approved: MJ	Date: 8/25/2020

Fox Part Number: 603-40-48

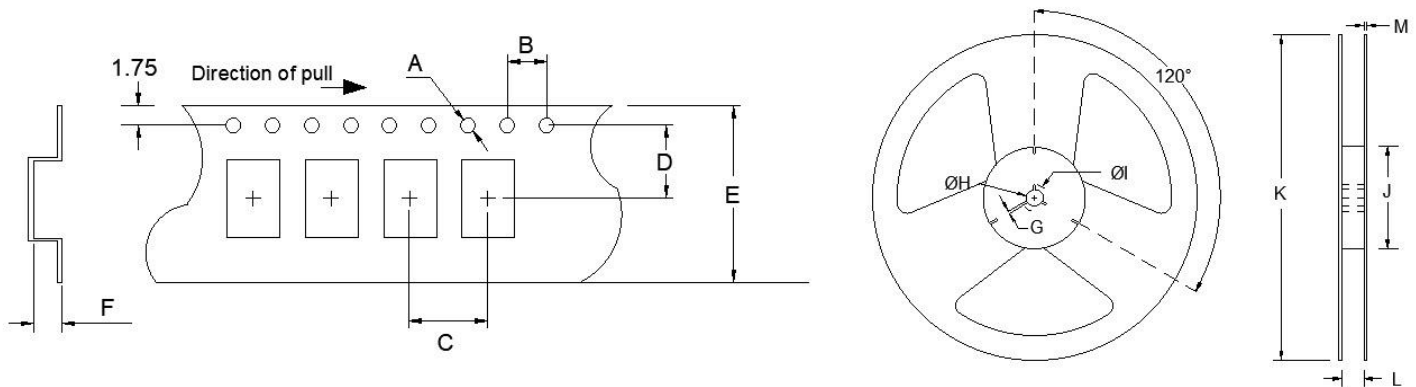
LEAD-FREE, CERAMIC, SMD, CRYSTAL

MODEL: C3BS (Formerly FX325BS Series)

RoHS / REACH Compliant / Pb-Free

Tape & Reel Specification

Tape Specifications (millimeters)						
A	B	C	D	E	F	Reel Options
Ø1.5	4.0	4.0	3.5	8.0	1.3	-T1 = 1,000 -T2 = 2,000 -T3 = 3,000 <i>Default</i>



Reel Specifications (millimeters)						
G	H	I	J	K	L	M
2.0	Ø13	Ø21	Ø80	Ø180	9.0	2.0

NOTE: The above specifications, having been carefully prepared and checked, is believed to be accurate at the time of publication; however, no responsibility is assumed by Fox Electronics for inaccuracies.

Reference / Comments	Title / Description: Product Specifications		
Initial release	Drawing Number: DWG-102121		Revision: A
	Part Number: 603-40-48		Cage: 61429
	Draftsperson: DG	Approved: MJ	Date: 8/25/2020