

# Bandkontaktbuchse 2 mm

**Einsatzbereich:** - 923 Stecker  
- 940 Stecker (Signalkontakt)

**TE Teile Nr.:** 60-0046-021-000  
**IC Ref. Nr.:** 60.046.21

### Elektrische Werte

Bemessungsstrom max. 25 A\*  
Durchgangswiderstand < 3 mOhm

### Werkstoff

Kontakt Federbronze,  
aktiver Bereich vergoldet

### Anschluss

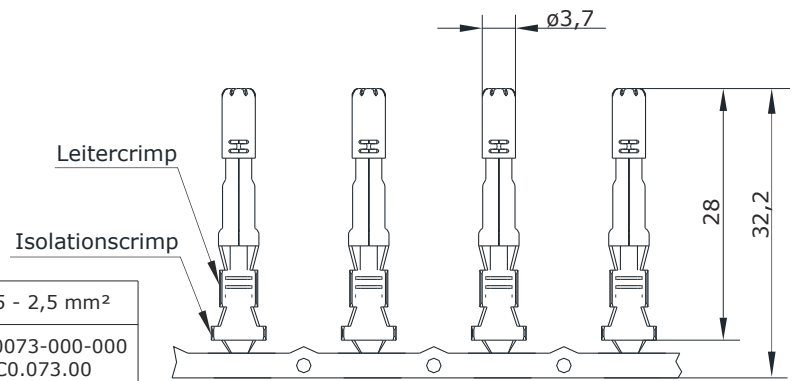
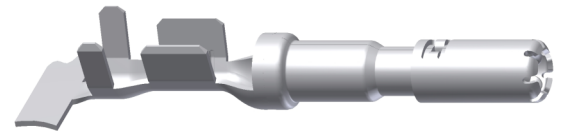
Anschlussart/-bereich offener crimp/ 0,5 - 2,5 mm<sup>2</sup>  
max. Litzenaußendurchmesser ø3,1 mm  
Abisolierlänge 5 mm

### Mechanische Werte

Steckzyklen 500

### Werkzeuge (nicht im Lieferumfang enthalten)

Litzenquerschnitt	0,5 - 1,0 mm <sup>2</sup>	1,0 - 1,5 mm <sup>2</sup>	1,5 - 2,5 mm <sup>2</sup>
Handcrimpzange TE Teile Nr:	C0-0072-000-000	-	C0-0073-000-000
IC Ref. Nr:	C0.072.00		C0.073.00



**Hauptabmessungen**  
Kontaktbuchse





# Bandoleer Contact Socket 2 mm

for: - 923 plug  
- 940 plug (signal contact)

TE Teile Nr.: 60-0046-021-000  
IC reference number: 60.046.21

### Electrical Data

rated current max. 25 A\*  
contact resistance < 3 mOhm

### Material

contacts phosphorus bronze,  
active area gold plated

### Termination

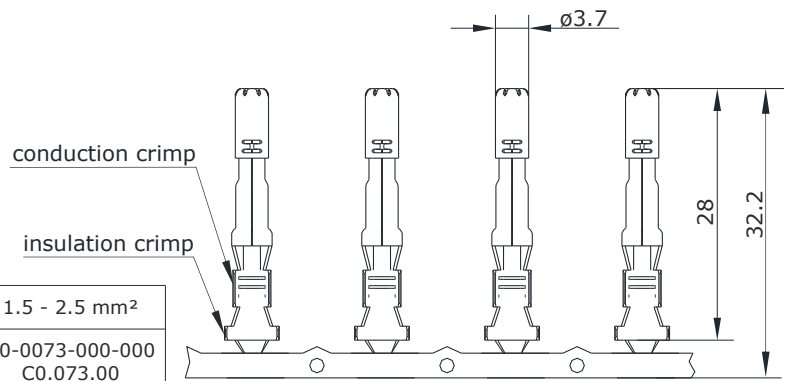
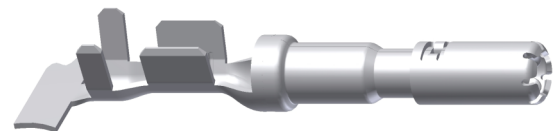
cross-section open crimp/ 0.5 - 2.5 mm<sup>2</sup>  
max. outer diameter ø3.1 mm  
stripping length 5 mm

### Mechanical Data

mating cycles 500

### Tools (not part of product contents)

wire cross-section	0.5 - 1.0 mm <sup>2</sup>	1.0 - 1.5 mm <sup>2</sup>	1.5 - 2.5 mm <sup>2</sup>
analog crimping tool TE part no:	C0-0072-000-000	-	C0-0073-000-000
IC ref. no:	C0.072.00	-	C0.073.00



**Main Dimensions**  
contact socket

Y6-B375-000-01EN issued: 22.06.2015/Sp; modified: 27.09.2018/MK

© 2018 TE Connectivity

TE Connectivity, TE connectivity (logo), intercontec (logo) and speedtec are trademarks.

While TE Connectivity (TE) has made every reasonable effort to ensure the accuracy of the information in this presentation, TE does not guarantee that it is error-free, nor does TE make any other representation, warranty or guarantee that the information is accurate, correct, reliable or current. TE reserves the right to make any adjustments to the information contained herein at any time without notice. TE expressly disclaims all implied warranties regarding the information contained herein, including, but not limited to, any implied warranties of merchantability or fitness for a particular purpose. The dimensions in this article are for reference purposes only and are subject to change without notice. Specifications are subject to change without notice. Consult TE for the latest dimensions and design specifications.

TE Connectivity Industrial GmbH  
Bernrieder Straße 15  
94559 Niederwinkling, Germany  
+49 9962 2002 - 0  
[intercontec@te.com](mailto:intercontec@te.com)  
[www.intercontec.biz](http://www.intercontec.biz)



\* for max. wire cross-section