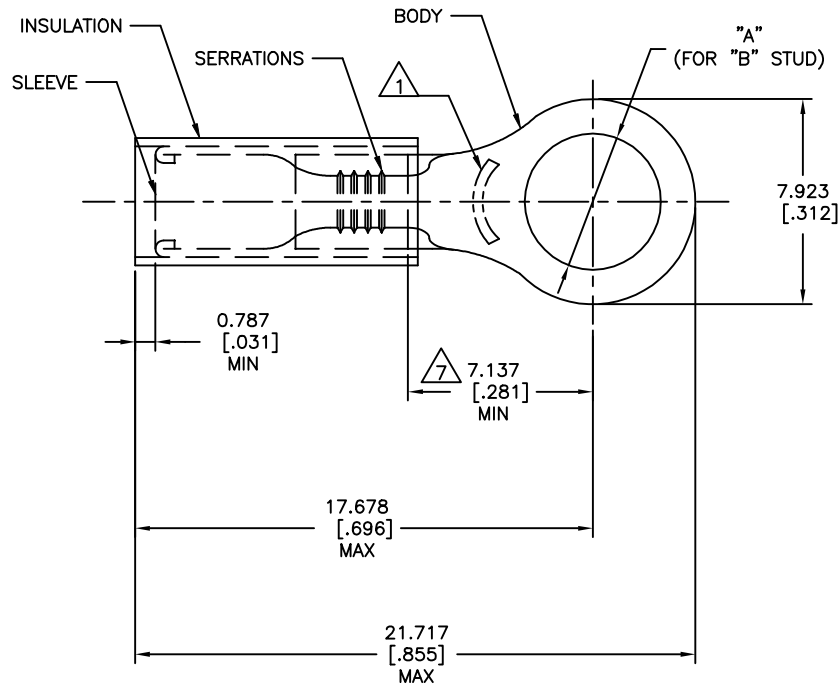


THIS DRAWING IS UNPUBLISHED. RELEASED FOR PUBLICATION
 © COPYRIGHT - By - ALL RIGHTS RESERVED.

| REVISIONS | | | | |
|-----------|-----|---------------------------|-----------|----------|
| P | LTR | DESCRIPTION | DATE | DWN APVD |
| | M2 | REVISED PER ECO-15-016493 | 27NOV2015 | NK DR |
| | M3 | REVISED PER ECO-17-016703 | 29MAR2018 | RS DR |



- 1 STAMP "AMP 18-16" APPROX AS SHOWN
- 2 FOR 1.397[.055] TO 3.429[.135] WIRE INSULATION DIA.
- 3 BODY MATERIAL THK: 0.787±0.051 [.031±.002]
- 4 BODY: MATERIAL: COPPER ASTM B152
FINISH: NICKEL PL. SAE AMS QQ-N-290
0.0076 [.0003] AVG EXT THK.
- 5 SLEEVE: MATERIAL: COPPER ASTM B152
FINISH: NICKEL PL. SAE AMS QQ-N-290
0.0076 [.0003] AVG EXT THK.
- 6 INSULATION: MATERIAL: PTFE(ASTM D3295)
COLOR: ORANGE
- 7 DIMENSION APPLIES FROM EDGE OF WIRE BARREL TO CENTER OF STUD HOLE
- 8 PACKED 1000 PIECES
- 9 NOTE DELETED
- 10 NOTE DELETED
- 11 NOTE DELETED
- 12 NOTE DELETED

| | | | | |
|---|--------|----------------------------|-------------------------|---|
| 6 | #10 | 5.004±0.008 [.197±.003] | 50836-1 | 8 |
| 6 | M4[#8] | 4.343±0.008 [.171±.003] | 50836 | 8 |
| | "B" | "A" | LOOSE PIECE PART NUMBER | |

| | | | | | | | |
|--|---|---|--|--|--|--|--|
| TEC INCORPORATED CUSTOMER SERVICE SYSTEMS | | MAX RECOMMENDED OPERATING TEMPERATURE: 288°C [550° F] | THIS DRAWING IS A CONTROLLED DOCUMENT. | | DWN R.GRZYBOWSKI 18SEP09 CHK T.MICHELUTTI 18SEP09 APVD M.PERCHEK 18SEP09 | TE Connectivity Ltd. | |
| FOR ADDITIONAL PRODUCT INFORMATION OR COPIES OF DRAWINGS AND TECHNICAL DOCUMENTS PRODUCT INFORMATION CENTER 1-800-522-6752 | FOR APPLICATION TOOLING ASSISTANCE CENTER 1-800-722-1111 | VOLTAGE RATING: 300V MAX | DIMENSIONS: mm [INCHES] | TOLERANCES UNLESS OTHERWISE SPECIFIED: 0 PLC ± - 1 PLC ± - 2 PLC ± - 3 PLC ± 0.127[.005] 4 PLC ± - 4 PLC ANGLES ± - | PRODUCT SPEC APPLICATION SPEC WEIGHT | NAME TERMINAL, PIDG , STRATO-THERM, RING TONGUE, WIRE SIZE: 18-16 | |
| FOR ORDER ENTRY 1-800-526-5142 | CIRCULAR MIL AREA: 0.81-1.42mm² [1600-2800] STRANDED WIRE ONLY | MATERIAL 4 5 6 | FINISH 4 5 6 | SIZE A3 CAGE CODE 00779 DRAWING NO C=50836 | RESTRICTED TO | SCALE 5:1 SHEET 1 OF 1 REV M3 | |