

Distributed I/O device - RL PN 24-2 DIO 16/8 2TX - 2773652

Please be informed that the data shown in this PDF Document is generated from our Online Catalog. Please find the complete data in the user's documentation. Our General Terms of Use for Downloads are valid (<http://phoenixcontact.com/download>)

Digital I/O device for PROFINET; 100Base-TX, fast startup, SNMPv2, TFTP, LLDP, PDev, eight inputs (24 V DC), eight configurable inputs or outputs (24 V DC, max. 0.5 A), VARIOSUB push/pull connection method, rugged metal housing, degree of protection IP67




Your advantages

- ✓ Rugged metal housing
- ✓ Comprehensive diagnostic functions
- ✓ Push/pull connector for PROFINET, either with fiber optic or twisted pair
- ✓ Push/pull connector for supply voltage
- ✓ M12 connector for I/O devices



Key Commercial Data

Packing unit	1 pc
GTIN	 4 046356 336642
GTIN	4046356336642
Weight per Piece (excluding packing)	1,300.000 g
Custom tariff number	85176200
Country of origin	Germany

Technical data

Note

Utilization restriction	EMC: class A product, see manufacturer's declaration in the download area
-------------------------	---

Dimensions

Width	182.5 mm
-------	----------

Distributed I/O device - RL PN 24-2 DIO 16/8 2TX - 2773652

Technical data

Dimensions

Height	71.5 mm
Depth	79.8 mm
Note on dimensions	Without connector, with mounting plate

Ambient conditions

Ambient temperature (operation)	-20 °C ... 55 °C
Ambient temperature (storage/transport)	-25 °C ... 85 °C
Permissible humidity (operation)	100 %
Permissible humidity (storage/transport)	95 % (non-condensing)
Air pressure (operation)	860 hPa ... 1080 hPa (up to 1500 m above sea level)
Air pressure (storage/transport)	660 hPa ... 1080 hPa (up to 3500 m above sea level)
Degree of protection	IP65/IP67
Note	Seal unused slots/connections to ensure the degree of protection.

General

Mounting type	Wall mounting
Net weight	1180 g
Note on weight specifications	without plug or mounting plate
Note	Seal unused slots/connections to ensure the degree of protection.

Interfaces

Designation	PROFINET
Number	2
Connection method	VARIOSUB push-pull connectors
Designation connection point	Copper cable
Transmission speed	10/100 Mbps (auto negotiation)
Transmission physics	Twisted pair connection
Number of positions	4

Power supply for module electronics

Connection method	VARIOSUB push-pull connectors
Designation	US1
Supply voltage	24 V DC
Supply voltage range	18.5 V DC ... 30 V DC (including ripple)
Ripple	Max 3.6 V _{SS} within the permissible voltage range

Digital inputs

Input name	Digital inputs
Description of the input	IEC 61131-2 type 1
Connection method	M12 connector

Distributed I/O device - RL PN 24-2 DIO 16/8 2TX - 2773652

Technical data

Digital inputs

Connection technology	2-, 3-, 4-conductor
Number of inputs	16 (8 fixed and 8 freely selectable)
Protective circuit	Electronic short-circuit/overload protection for each group Reverse polarity protection
Nominal input voltage U_{IN}	24 V DC

Digital outputs

Output name	Digital outputs
Number of outputs	8 (Can also be used as an input)
Connection method	M12 connector
Connection technology	2-, 3-conductor
Protective circuit	Electronic short-circuit/overload protection for each channel
Output voltage	24 V
Nominal output voltage	24 V
Output current per channel	500 mA
Nominal load, inductive	12 VA (1.2 H, 48 Ω)
Nominal load, lamp	12 W
Nominal load, ohmic	12 W
Limitation of the voltage induced on circuit interruption	- 8 V
Derating	No derating
Output voltage when switched off	max. 0.5 V
Output current when switched off	0 A
Behavior with overload	Auto restart
Behavior with inductive overload	Output can be destroyed

Electrical isolation

Test section	Between bus logic and outputs 500 V AC 50 Hz 1 min.
--------------	---

Standards and Regulations

Protection class	III (IEC 61140, EN 61140, VDE 0140-1)
------------------	---------------------------------------

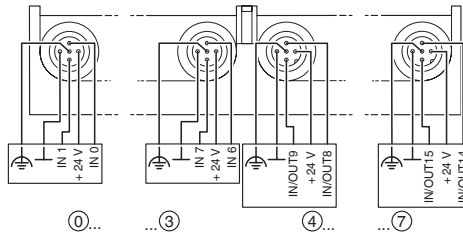
Environmental Product Compliance

REACH SVHC	Lead 7439-92-1
China RoHS	Environmentally Friendly Use Period = 50 years
	For details about hazardous substances go to tab "Downloads", Category "Manufacturer's declaration"

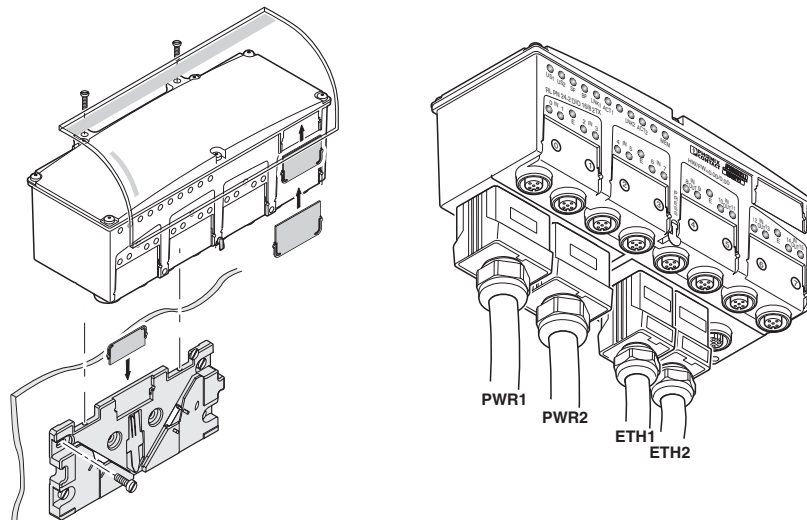
Drawings

Distributed I/O device - RL PN 24-2 DIO 16/8 2TX - 2773652

Connection diagram



Functional drawing



Classifications

eCl@ss

eCl@ss 10.0.1	27242604
eCl@ss 11.0	27242604
eCl@ss 4.0	27250300
eCl@ss 4.1	27250300
eCl@ss 5.0	27250300
eCl@ss 5.1	27242600
eCl@ss 6.0	27242600
eCl@ss 7.0	27242604
eCl@ss 9.0	27242604

ETIM

ETIM 2.0	EC001430
ETIM 3.0	EC001599

Distributed I/O device - RL PN 24-2 DIO 16/8 2TX - 2773652

Classifications

ETIM

ETIM 4.0	EC001599
ETIM 6.0	EC001599
ETIM 7.0	EC001599

UNSPSC

UNSPSC 6.01	43172015
UNSPSC 7.0901	43201404
UNSPSC 11	43172015
UNSPSC 12.01	43201404
UNSPSC 13.2	32151602
UNSPSC 18.0	32151602
UNSPSC 19.0	32151602
UNSPSC 20.0	32151602
UNSPSC 21.0	32151602

Approvals

Approvals

Approvals

UL Listed / cUL Listed / cULus Listed

Ex Approvals

Approval details

UL Listed		http://database.ul.com/cgi-bin/XYV/template/LISEXT/1FRAME/index.htm	FILE E 140324
-----------	--	---	---------------

cUL Listed		http://database.ul.com/cgi-bin/XYV/template/LISEXT/1FRAME/index.htm	FILE E 140324
------------	--	---	---------------

cULus Listed			
--------------	--	--	--

Distributed I/O device - RL PN 24-2 DIO 16/8 2TX - 2773652

Accessories

Accessories

Assembly element

Lower mounting part - IBS RL AP - 2731128



Mounting plate for Ruggedline devices

Cable by the meter

Cable - IBS PWR/5HD/F - 2731775



Power supply cable, gray, welding-splash-resistant in standard applications, 5 x 1.5 mm², highly flexible, sold by the meter

Cable - IBS PWR/5 - 2820000



Power supply cable, gray, welding-splash-resistant in standard applications, 5 x 1.5 mm², sold by the meter

Circular connector (cable-side)

Connector - SACC-M12MS-4QO-0,75 - 1641769



Connector, Universal, 4-position, Plug straight M12, Coding: A, Insulation displacement connection, knurl material: Plastic, external cable diameter 4 mm ... 8 mm

Data plug

Distributed I/O device - RL PN 24-2 DIO 16/8 2TX - 2773652

Accessories

RJ45 connector - VS-PPC-C1-RJ45-MNNA-PG9-4Q5-B - 1405141



RJ45 connector, IP67, with push-pull interlocking, metal housing, CAT5e, 4-pos., with QUICKON fast connection technology, for 1-wire and 7-wire conductors AWG 26 ... 22, for cable cross section 5.0 mm ... 8.0 mm

Power connector - VS-PPC-C2-MSTB-MNNA-P13-A5-SP - 1608074



Power connector, degree of protection: IP65, number of positions: 5, material: Zinc die-cast, connection method: Spring-cage connection, connection cross section: AWG 18- 13, cable outlet: straight, color: silver

Labeling panel

Marking label - IBS RL MARKER-SET - 2732729



Set of 50 small and 50 large metal marking labels

Marking label - IBS RL MARKER-G-SET - 2734727



100 large metal marking labels

Marking label - IBS RL MARKER-K-SET - 2734730



100 small metal marking labels

Distributed I/O device - RL PN 24-2 DIO 16/8 2TX - 2773652

Accessories

Plug for cable screw gland

Screw plug - PROT-M12 - 1680539



An M12 screw plug for the unoccupied M12 sockets of the sensor/actuator cable, boxes and flush-type connectors

Protective cover

Protective covers - VS-PPC-C1-PC67-MNNA - 1608142



Protective cover, IP67, metal version, to cover the contact insert in the RJ45 and SC-RJ push-pull panel mounting frames

Dummy plug - VS-PPC-C2-PC67-MNNA - 1404045



Dummy plug, degree of protection: IP65, material: Zinc die-cast, color: silver

Storage medium

Configuration memory - FL MEM PLUG - 2891259



Exchangeable configuration memory of the device settings for simple device exchange and set-up

Y-distributor

Distributed I/O device - RL PN 24-2 DIO 16/8 2TX - 2773652

Accessories

Y distributor - SAC-3P-M12Y/2XM12FS PE - 1683455



Y distributor, 4-position, unshielded, Plug straight M12, coding: A, on Socket straight M12, coding: A and Socket straight M12, coding: A