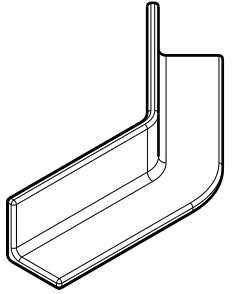
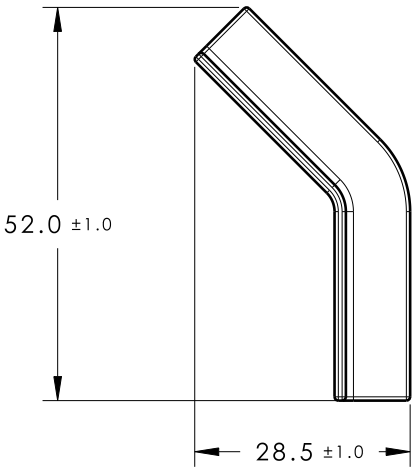
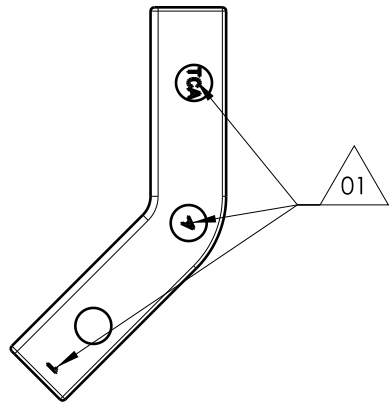
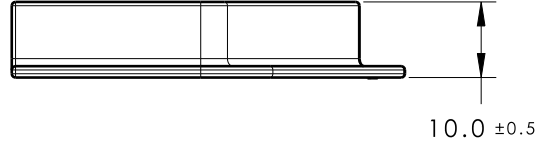
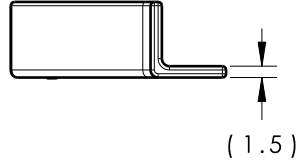


Revision Level		Revision Record	Changed	Date	Approved	Date
Drawing	Part					
01	A	SEE ECN# 012535	CJR	12/30/13	SJA	01/03/14



ISOMETRIC VIEW



Material
PP20%TC
COLOR: BLACK

Units **millimeters**

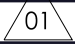

Tolerance defined on each dimension

The copyright of this drawing is reserved by HellermannTyton. It is issued on condition that it is not reproduced, copied or disclosed to a third party, either wholly or in part, without the consent of HellermannTyton.

Drawn	CJR	10/08/13
Approved	SJA	10/08/13

HellermannTyton

North America
Email: corp@htamericas.com
Web: www.hellermann.tyton.com

Article/Type-No	45MINICHNL  01
Title	45 DEGREE MINI CHANNEL  01
Drawing-No	PRODUCTION : Phase 13-0589-001-CSU

Scale	1:1
Project Number	13-0589
Format	AH
Sheet	1/1