

6

5

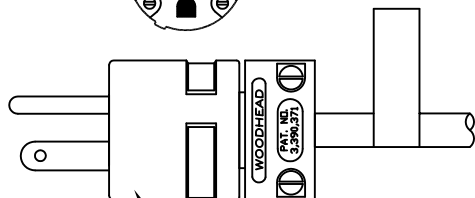
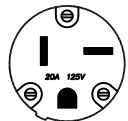
4

3

2

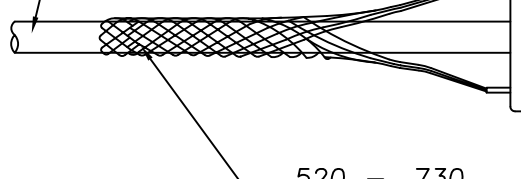
1

FACE VIEW

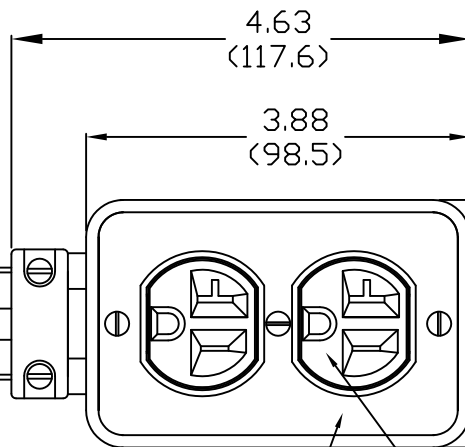


20A/125V
NEMA 5-20
SUPER-SAFEWAY MALE PLUG

30' #12/3 SOOW CABLE



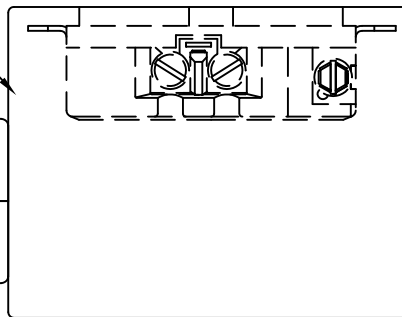
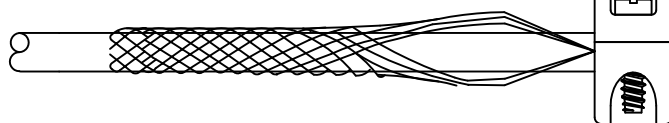
.520 - .730
TURNEX SR GRIP
(36552)



YELLOW DUPLEX
COVERPLATE

20A/125V NEMA
5-20 DUPLEX RECEPTACLE

YELLOW RUBBER
OUTLET BOX



4.13
(104.9)

BLANK COVERPLATE

RELEASE DRAWING EC NO: WNA2010-0661 DRWN: TVICKERS 2010/04/28 CHKD: HK APPR: DTTITUS 2010/07/19 REV DESCRIPTION	QUALITY SYMBOLS	GENERAL TOLERANCES (UNLESS SPECIFIED)		DIMENSION STYLE IN/MM		SCALE NTS	DESIGN UNITS INCH	THIRD ANGLE PROJECTION	
	▽=0	mm	INCH	DRAWN BY	DATE	TITLE			
	∇=0	4 PLACES ±---	±---	TVICKERS	2010/04/28	PORTABLE OUTLET BOX W/30'#12/3 1433 & MESH GRIP MOLEX INCORPORATED			
		3 PLACES ±---	±0.005	CHECKED BY	DATE				
	2 PLACES ±0.13	±0.010	APPROVED BY	DATE	DOCUMENT NO.		SHEET NO.		
	1 PLACE ±0.25	±0.020	DTITUS	2010/07/16	SD-130137-015		1 OF 1		
A		ANGULAR ±.5°		MATERIAL NO.		THIS DRAWING CONTAINS INFORMATION THAT IS PROPRIETARY TO MOLEX INCORPORATED AND SHOULD NOT BE USED WITHOUT WRITTEN PERMISSION			
		DRAFT WHERE APPLICABLE MUST REMAIN WITHIN DIMENSIONS		SIZE A					

6

5

4

3

2

1