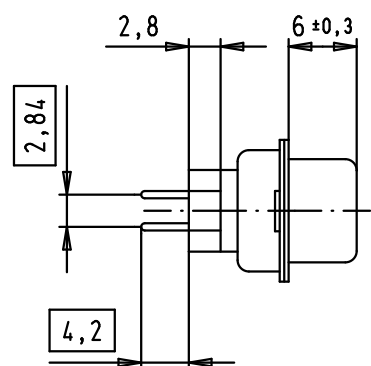
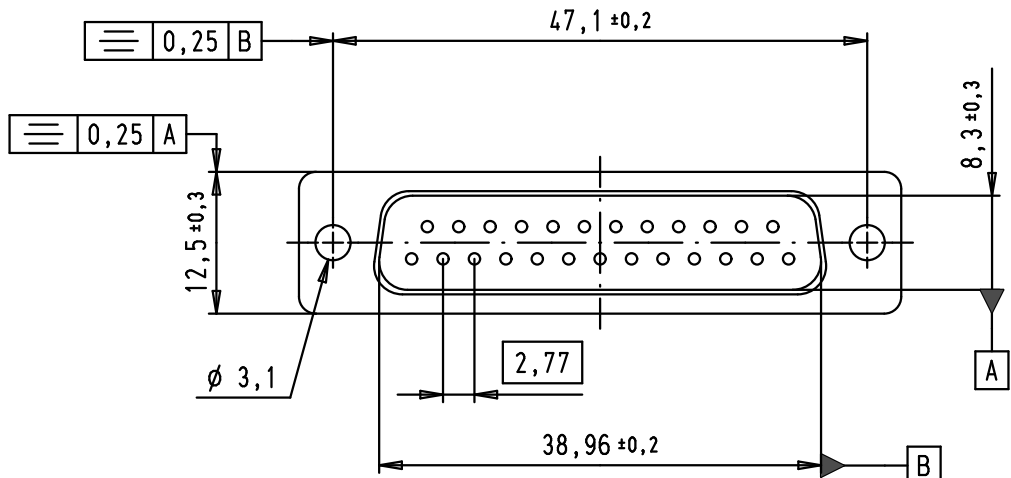


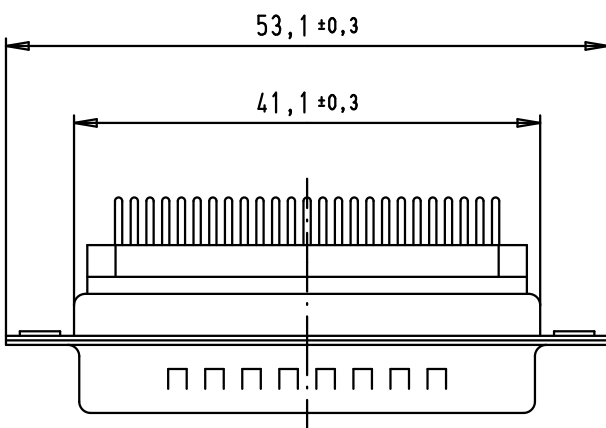
5 4 3 2 1



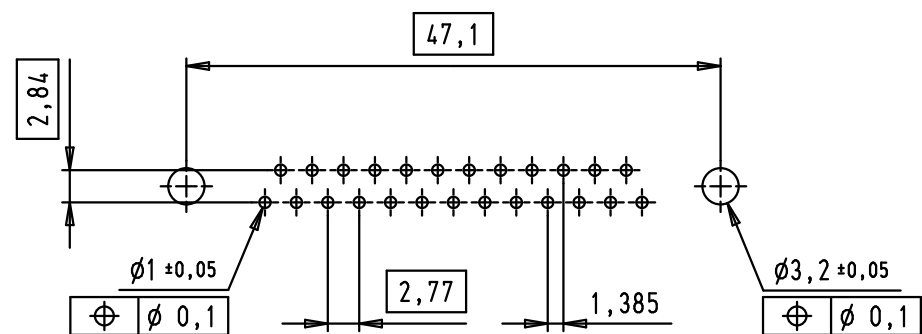
SPECIFICATIONS

FREQUENCY (MHz)	ATTENUATION (dB)
5	0,5
10	1
50	3,5
100	4
500	5
1000	5,5

Operating voltage < 250 V AC
 Working current < 7,5 A
 Insulation resistance > 1GΩ
 Contact resistance < 15 mΩ
 Dielectric withstanding voltage 500 V AC / minute



PCB layout, component side



D
C
B
A

			Dot.	Name	<p>All Dim. in mm Orig. Size DIN A 4</p>	
			Detail.	11/06/09 PK		
			Insp.			
			Stand.			
36160	22/09/10	SC	HARTING EURL F-95972 Paris			
EC00332	11/06/09	PK	Mod.	Dot.		Name

D-Sub, male, straight,
 25 poles, tin plated shell
 with dimples, solder pins,
 ferrite filter

Maßstab/
 Scale
 1,5:1

TB 09 64 322 7800

Blatt/ Page
 1 / 1

Sub.

09 64 322 7800	PL3
Part number	Performance level