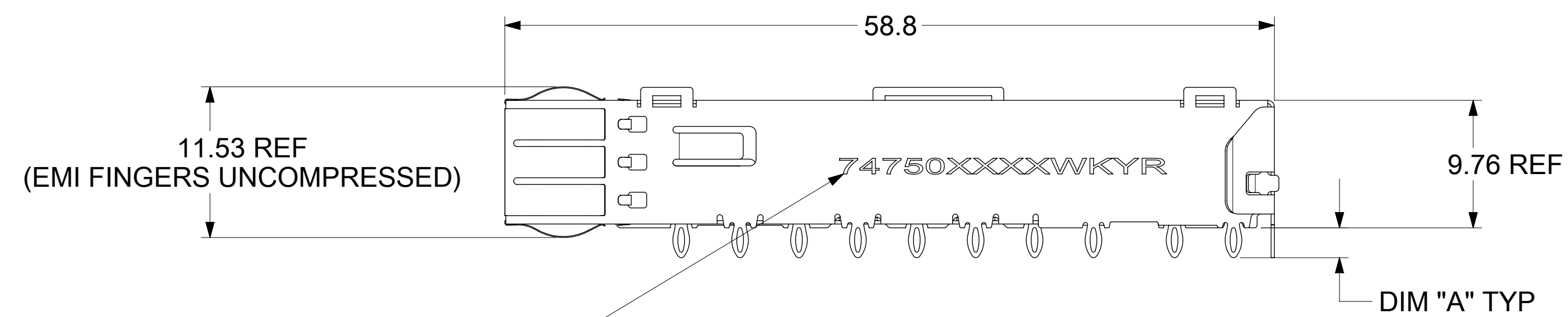
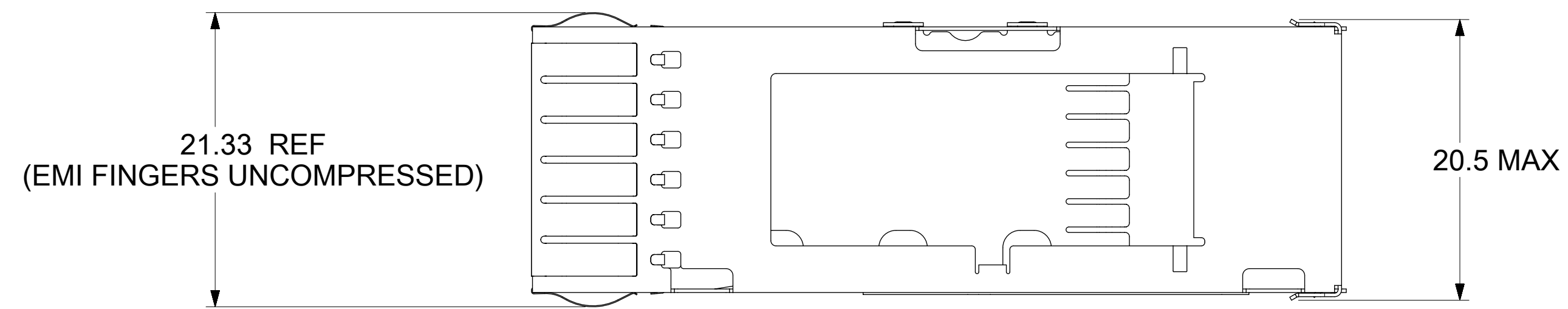


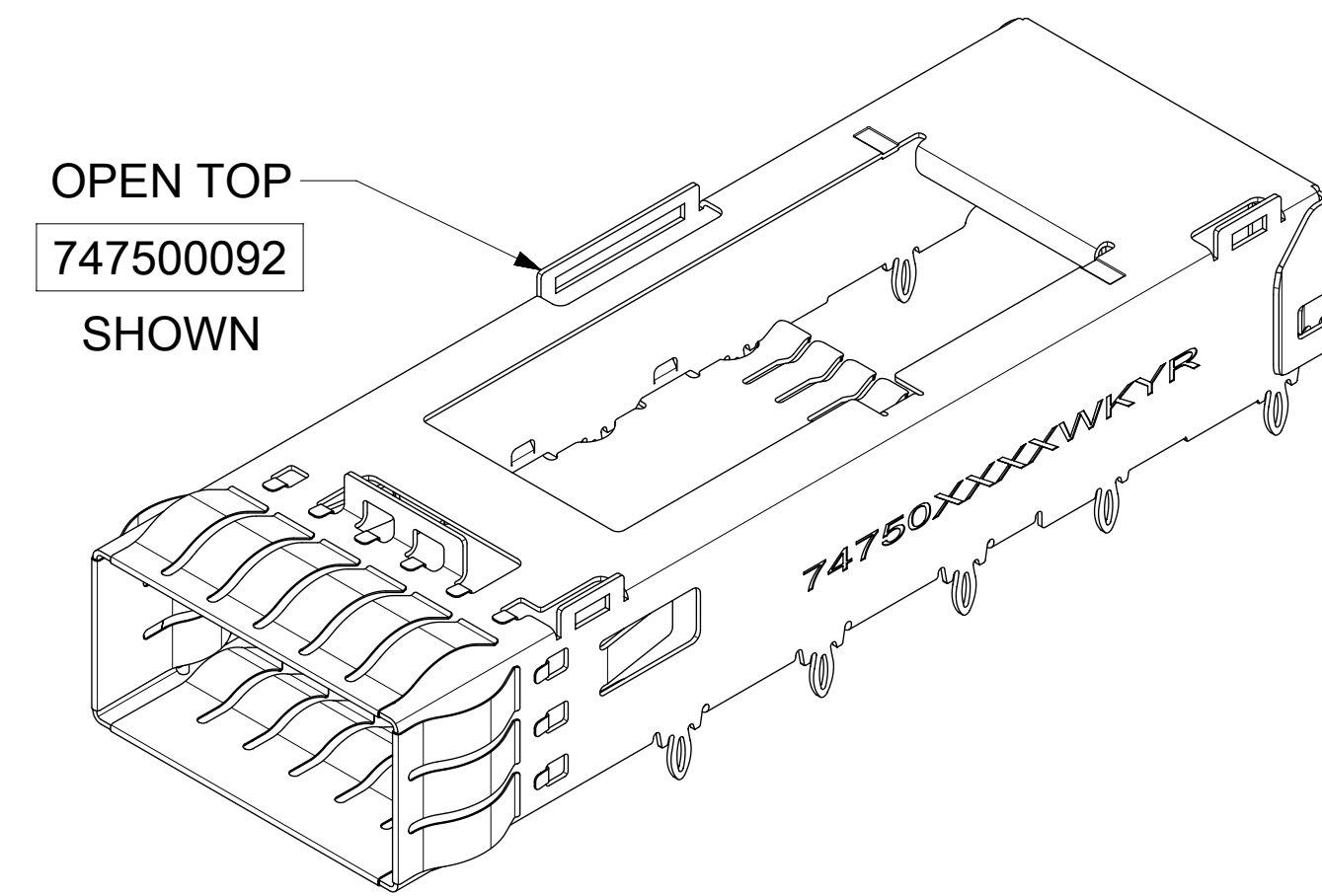
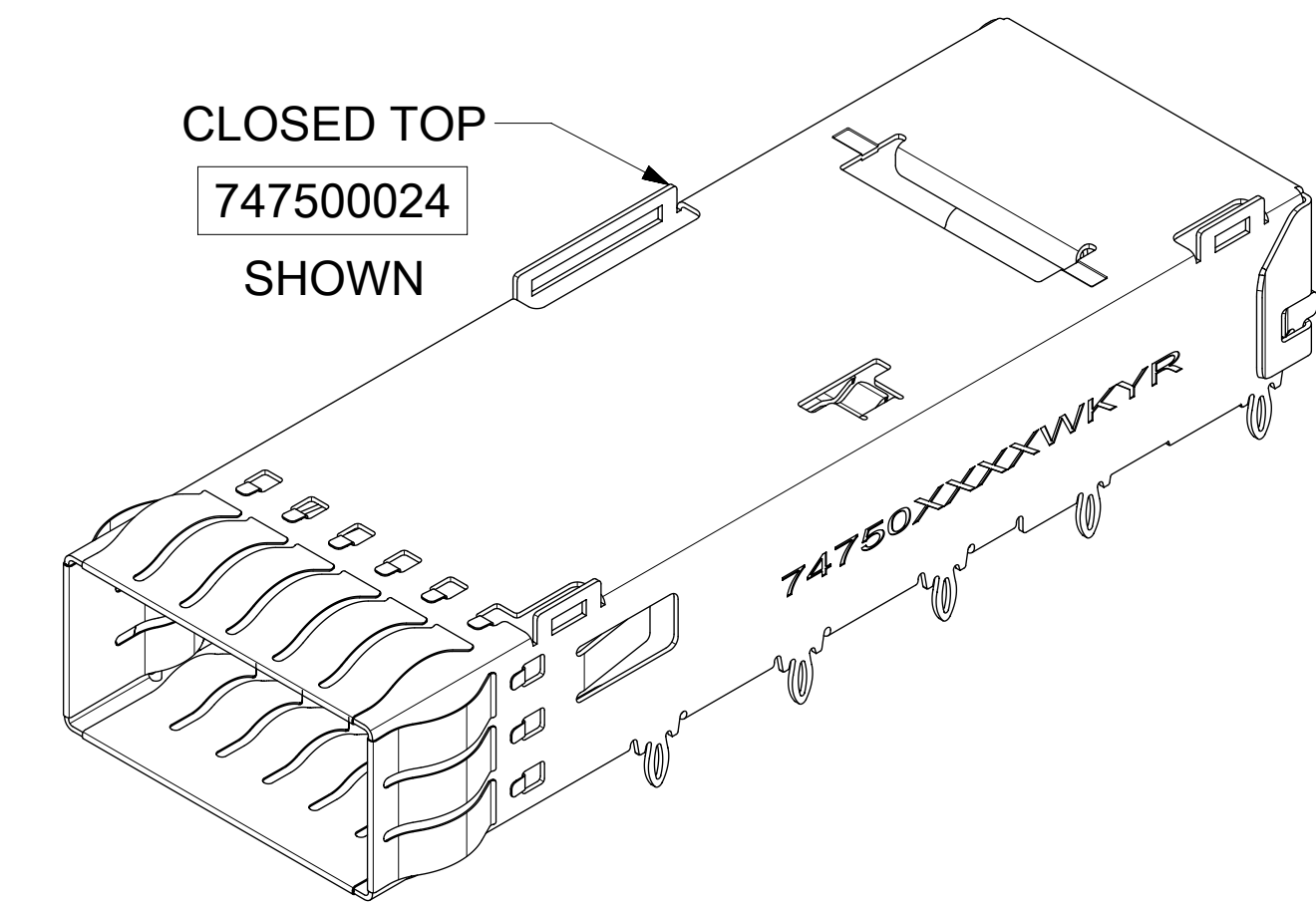
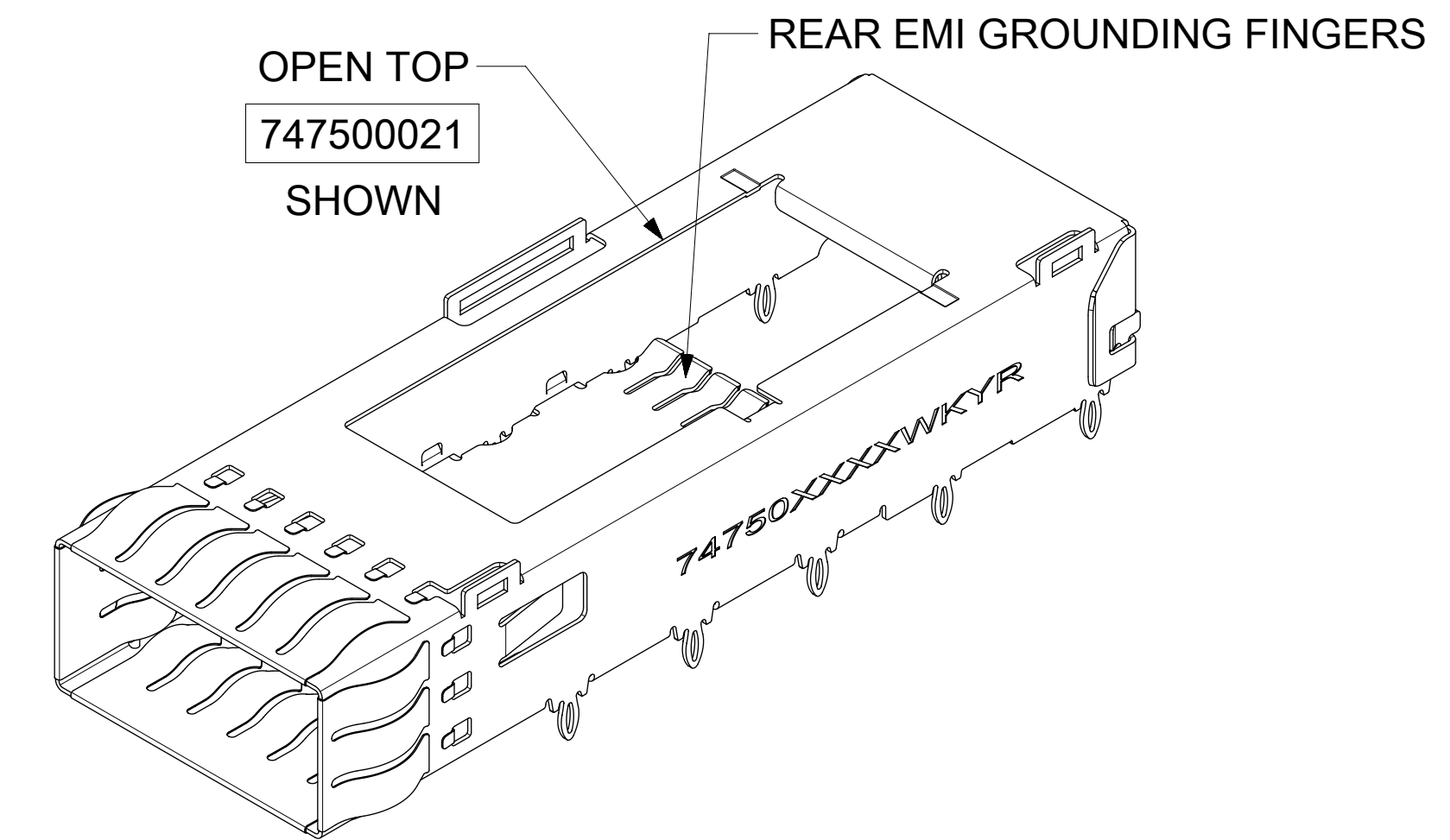
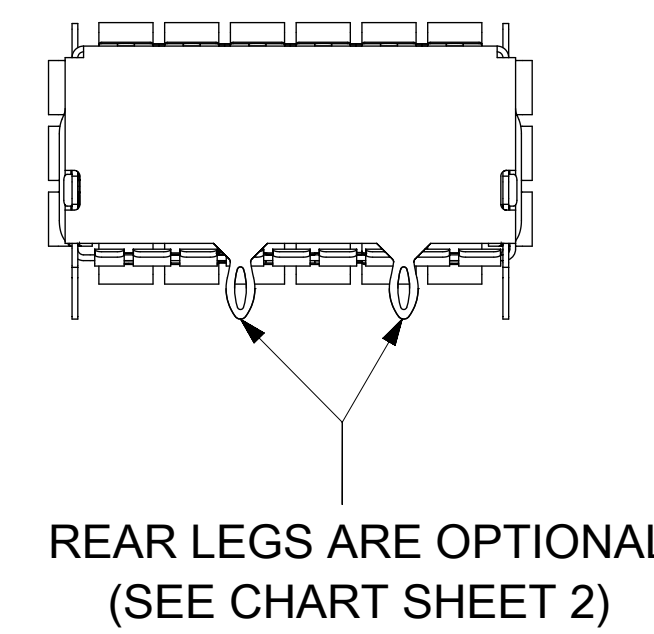
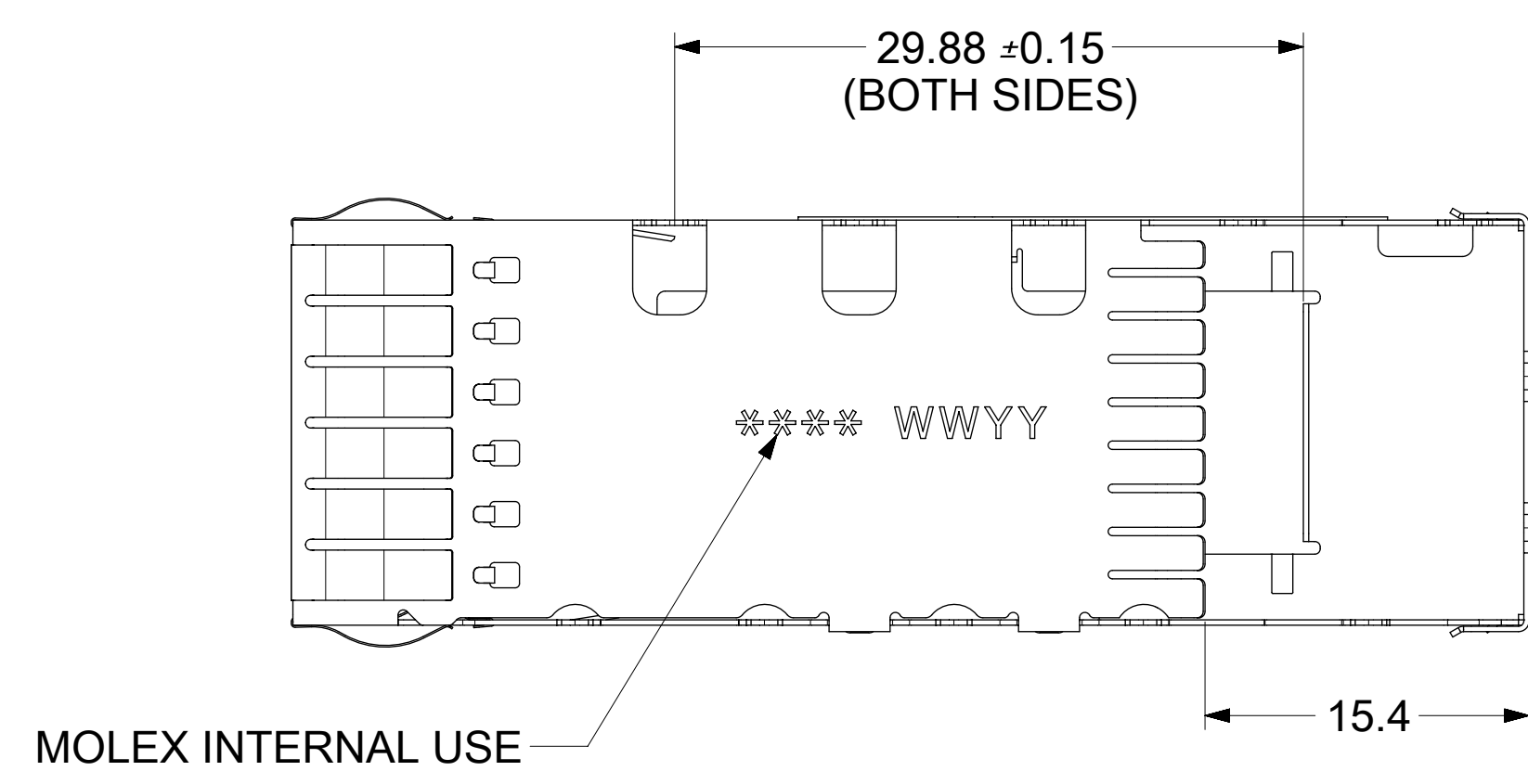
BASE CAGE DETAILS

(APPLIES TO ALL CAGES IN THIS DRAWING)



PART NO. AND WEEK/YEAR DATE CODE TO BE PRINTED ON SIDE OF COMPLETED CAGE ASSEMBLY AS SHOWN.

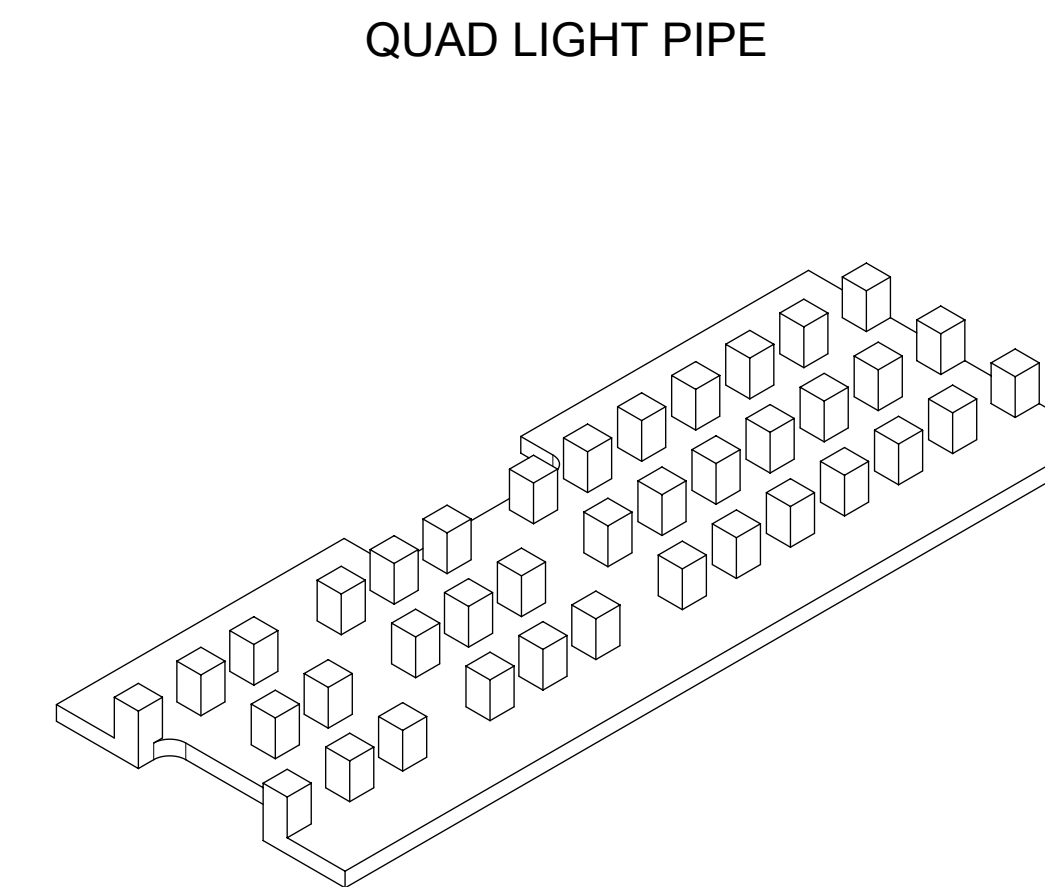
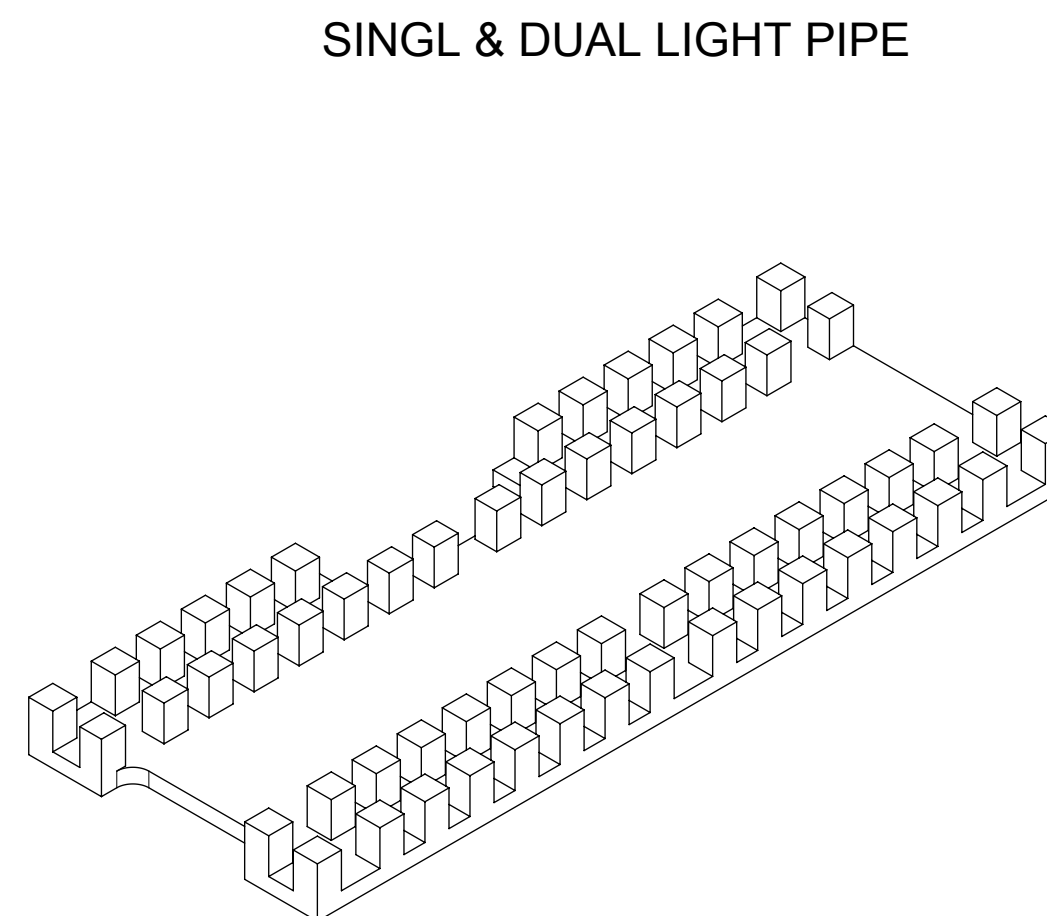
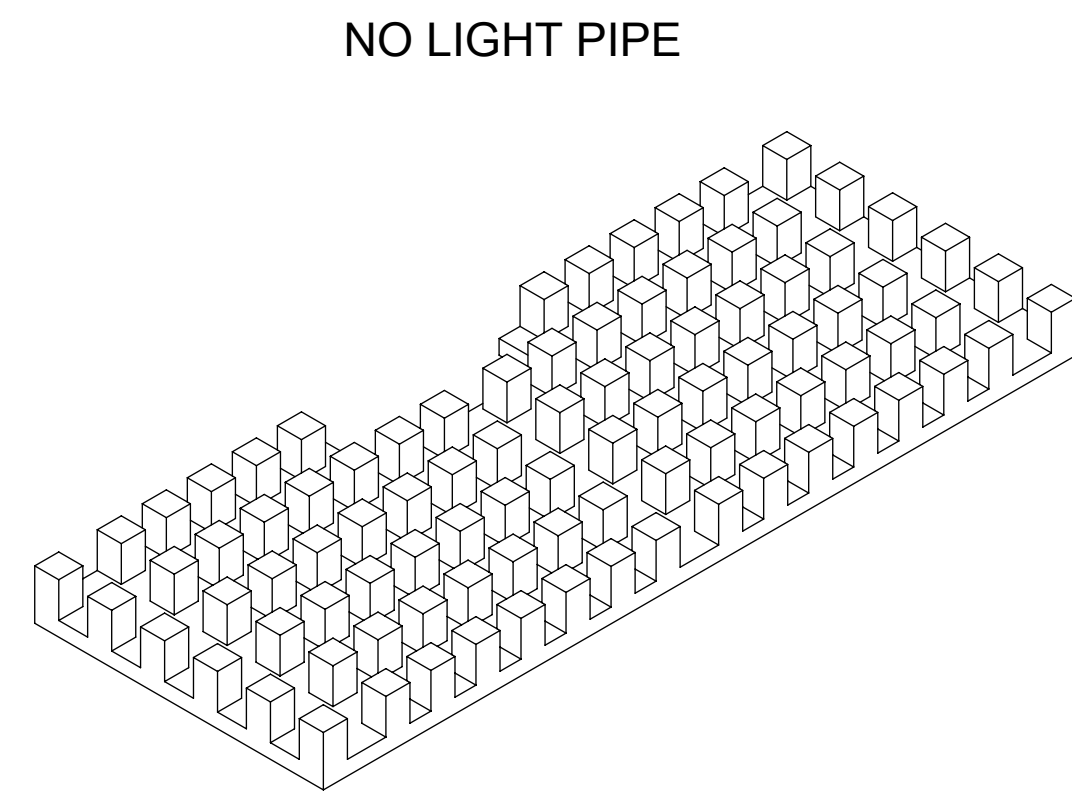
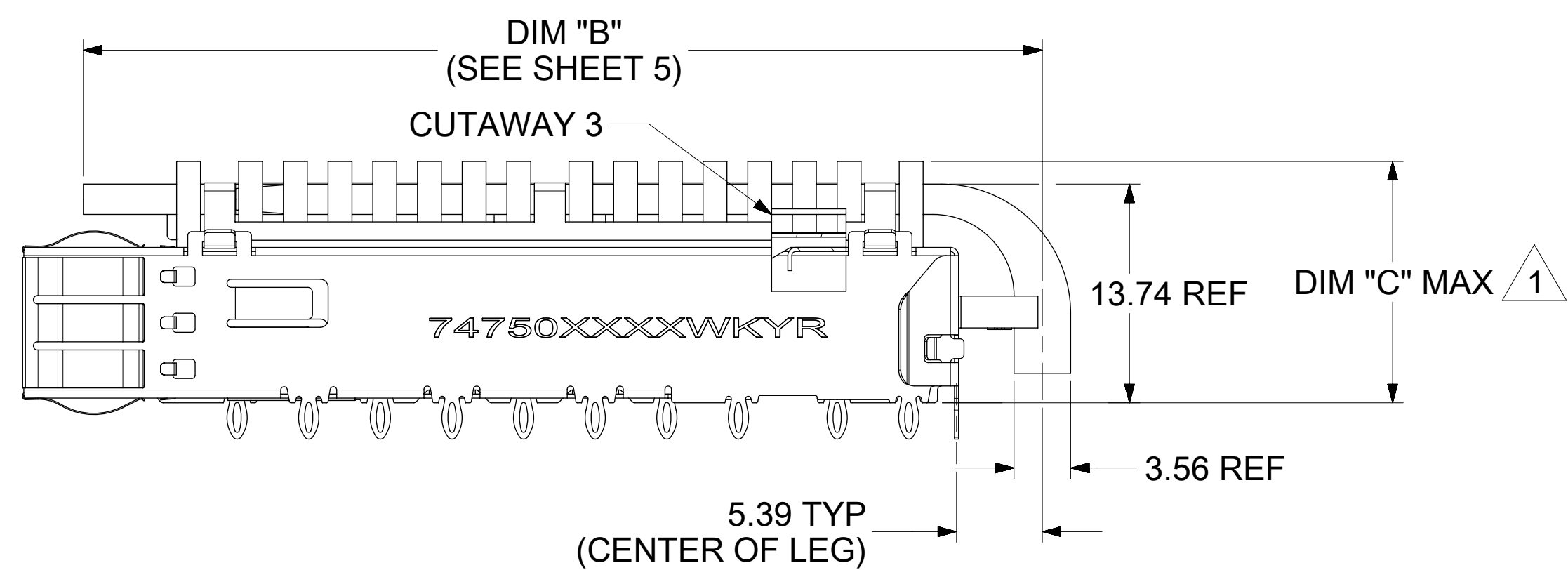
WEEK/YEAR DATE CODE TABLE	
WK	01 THRU 52 EXAMPLE: 01 = FIRST WEEK OF YEAR 52 = LAST WEEK OF YEAR
YR	17, 18, 19 ETC. EXAMPLE: YEAR 2017 = 17



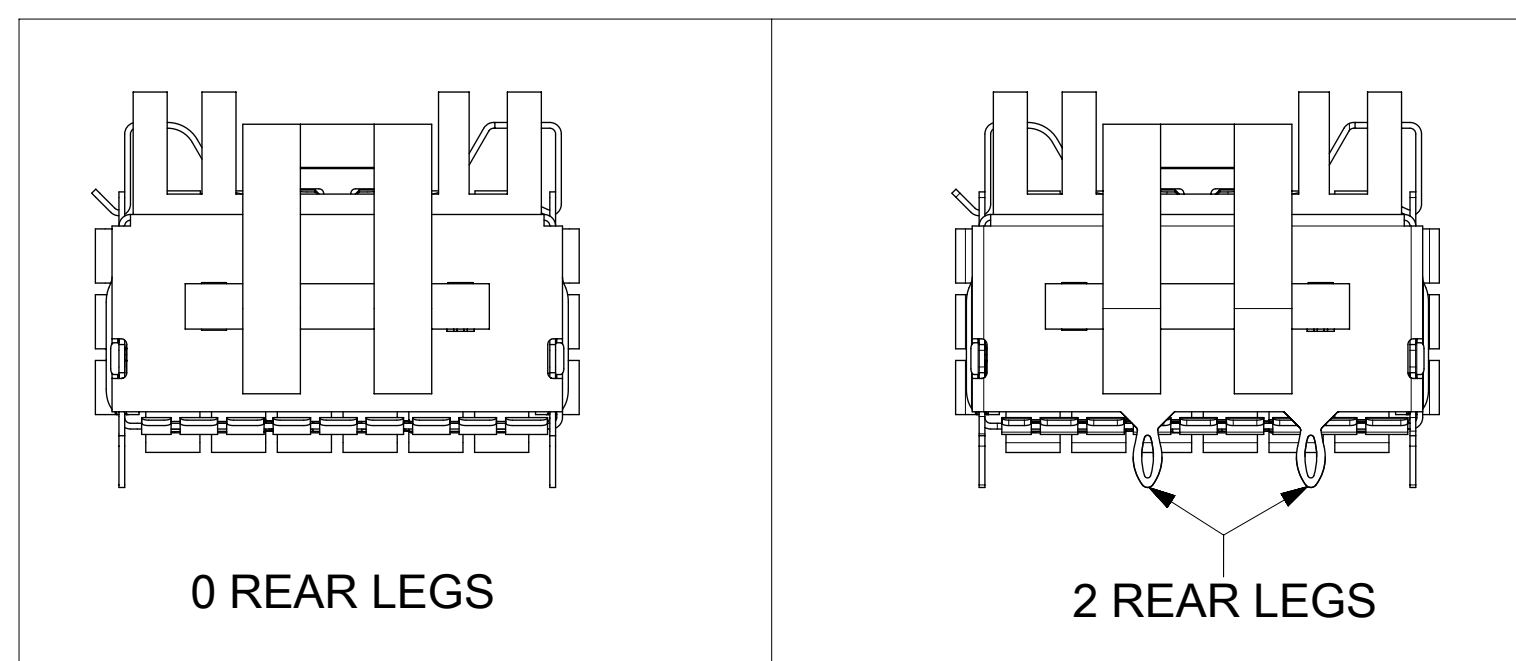
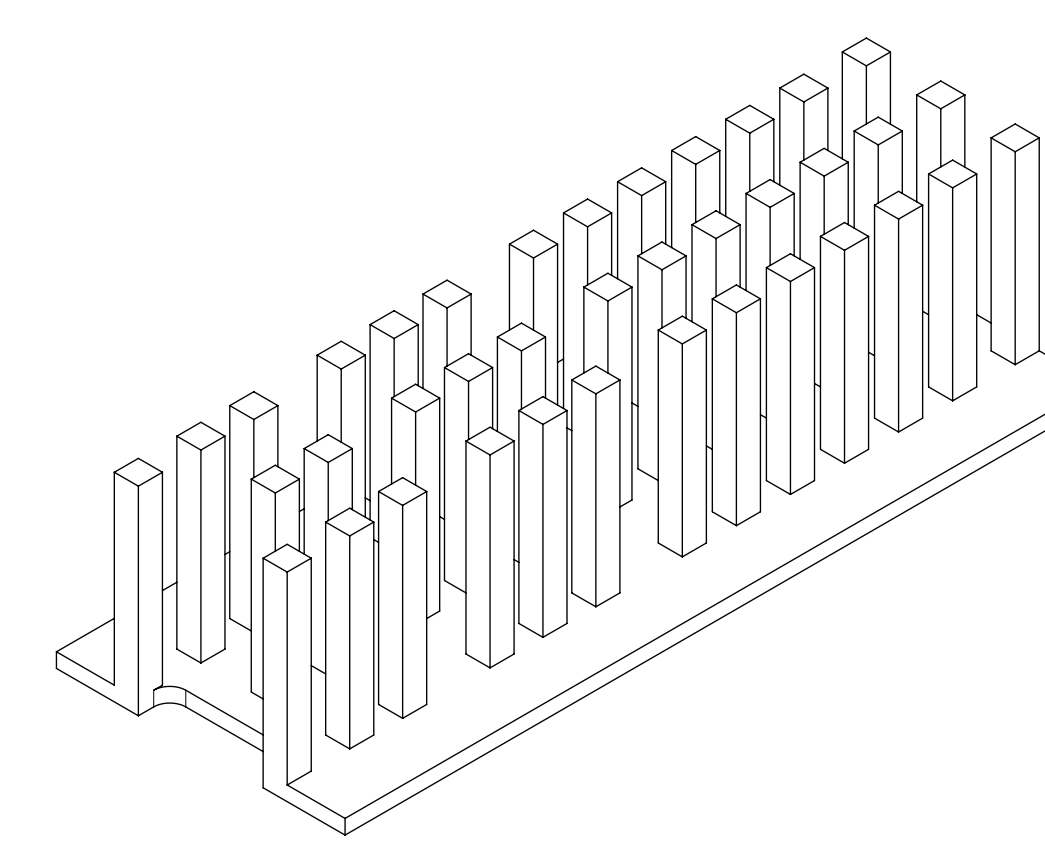
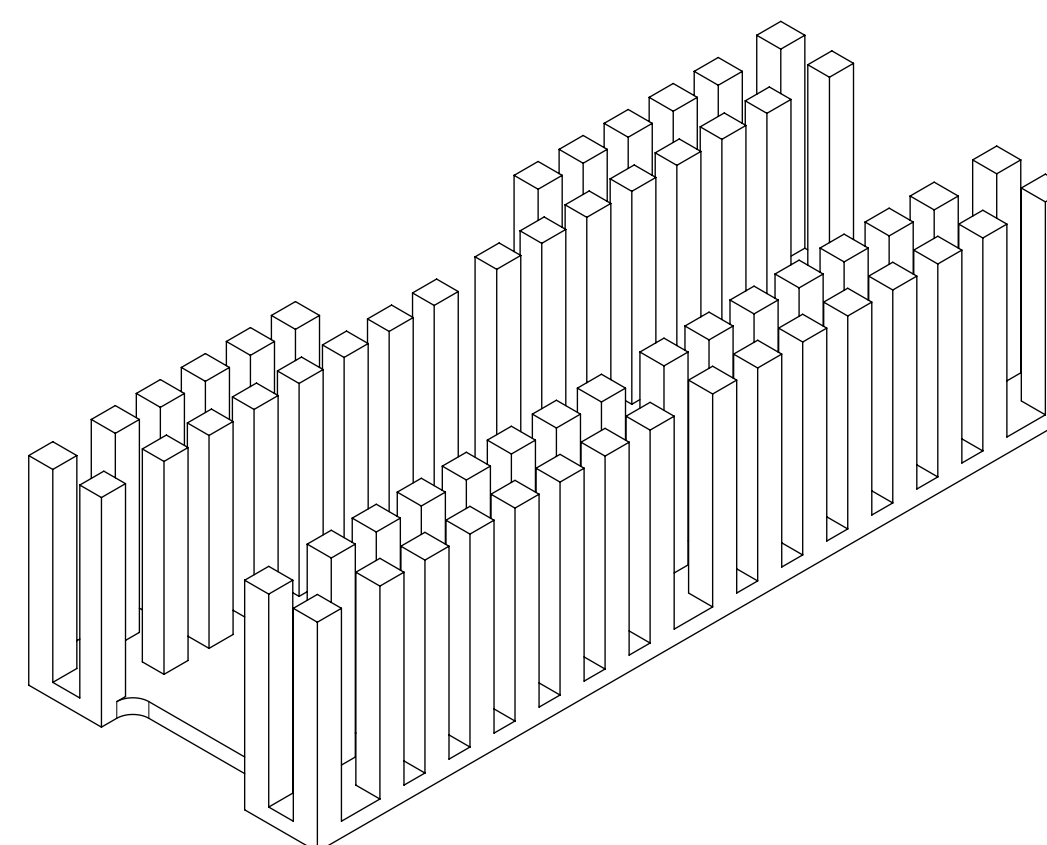
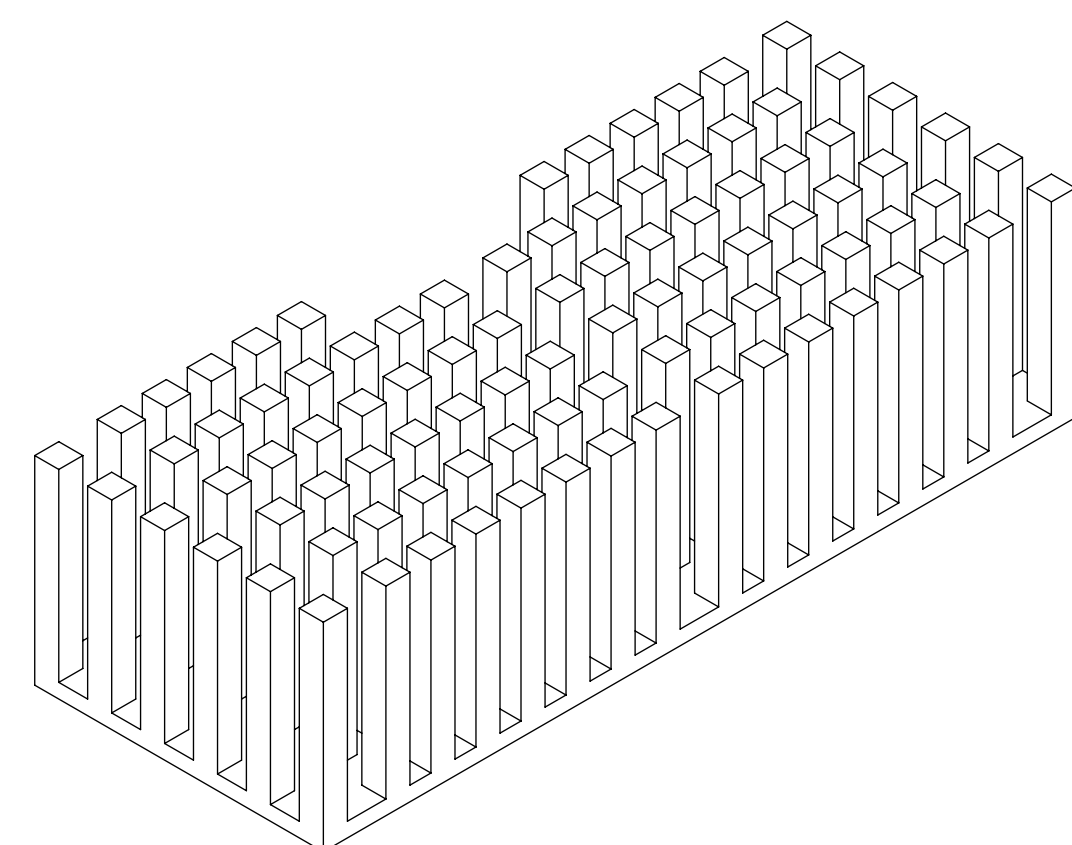
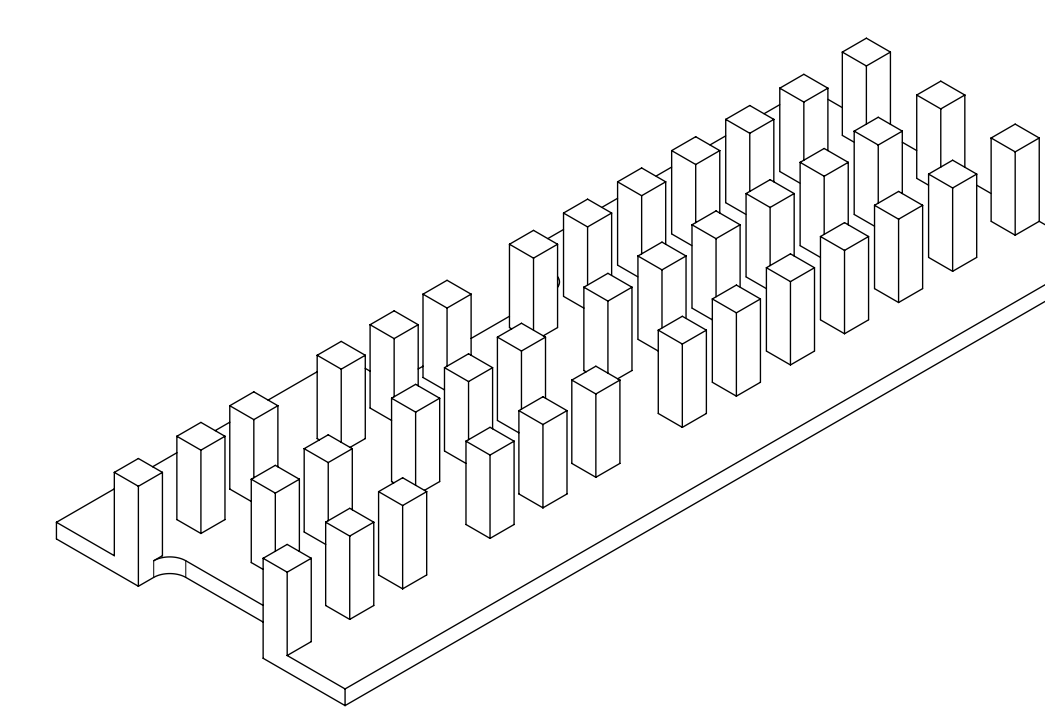
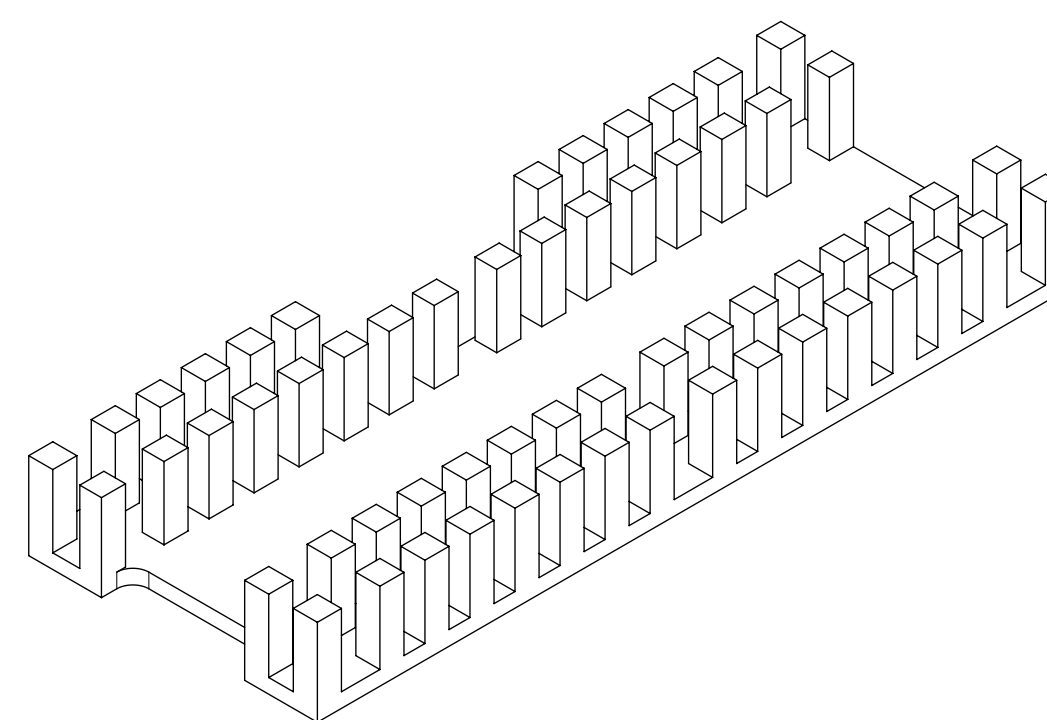
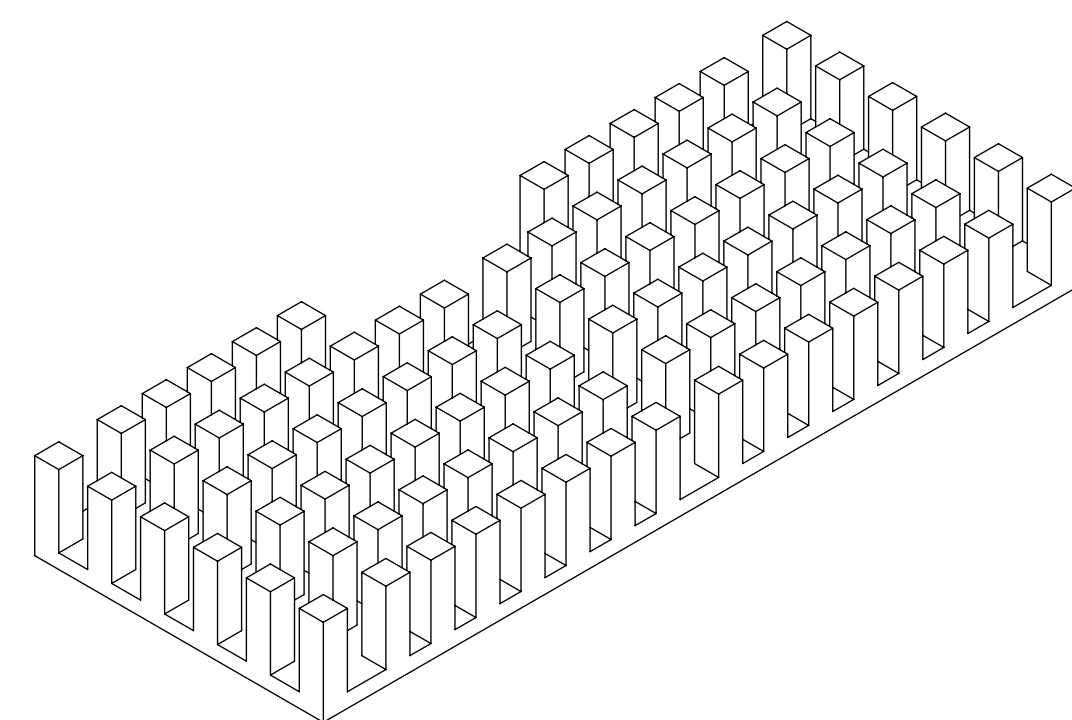
- NOTES:**
1. QSFP+ ASSEMBLIES ALSO AVAILABLE WITH 1X2 (74767 SERIES), 1X3 (74768 SERIES), 1X4 (74769 SERIES) AND 1X6 (74771 SERIES) CONFIGURATIONS.
 2. MATERIAL:
 LIGHT PIPE/HEATSINK CLIP: STAINLESS STEEL
 LIGHT PIPES: POLYCARBONATE (UL 94-V-0 RATED)
 HEAT SINKS: BLACK ANNOXIDIZED ALUMINUM
 CAGE: COPPER ALLOY, NICKEL PLATED
 3. NO RoHS EXEMPTIONS
 4. CUSTOM HEATSINKS AVAILABLE UPON REQUEST

QUALITY SYMBOLS ▽ = 0 ▽ = 0 ▽ = 0 ▽ = 0 ▽ = 0 ▽ = 0 ▽ = 0 ▽ = 0 ▽ = 0	THIS DRAWING CONTAINS INFORMATION THAT IS PROPRIETARY TO MOLEX ELECTRONIC TECHNOLOGIES, LLC AND SHOULD NOT BE USED WITHOUT WRITTEN PERMISSION				DIMENSION UNITS mm		SCALE DATE 2016/06/23				
	GENERAL TOLERANCES (UNLESS SPECIFIED) ANGULAR TOL ± 1.0 °		DRWN BY SJKG		DATE 2017/06/02		QSFP+ 1X1 CAGE ASSEMBLY WITH SPRING FINGER TYPE				
	4 PLACES ± 3 PLACES ± 2 PLACES ± 0.13 1 PLACE ± 0.25 0 PLACES ±		CHKD BY DSUN15		DATE 2017/06/05					PRODUCT CUSTOMER DRAWING	
	DRAFT WHERE APPLICABLE MUST REMAIN WITHIN DIMENSIONS		APPR BY RCHEN08		DATE 2017/06/05		SERIES MATERIAL NUMBER CUSTOMER 74750 SEE SHEET 5, 6 & 7 GENERAL MARKET				
EC NO: 122627 DRWN: MKEMPEGOWDA CHKD: ELIU08 REV APPR: RCHEN08		SEE REVISION TABLE		DRAWING SIZE D		THIRD ANGLE PROJECTION		DOCUMENT NUMBER DOC TYPE DOC PART SHEET NUMBER 747500021 PSD ASY 1 OF 12			

CAGE ASSEMBLY OPTIONS



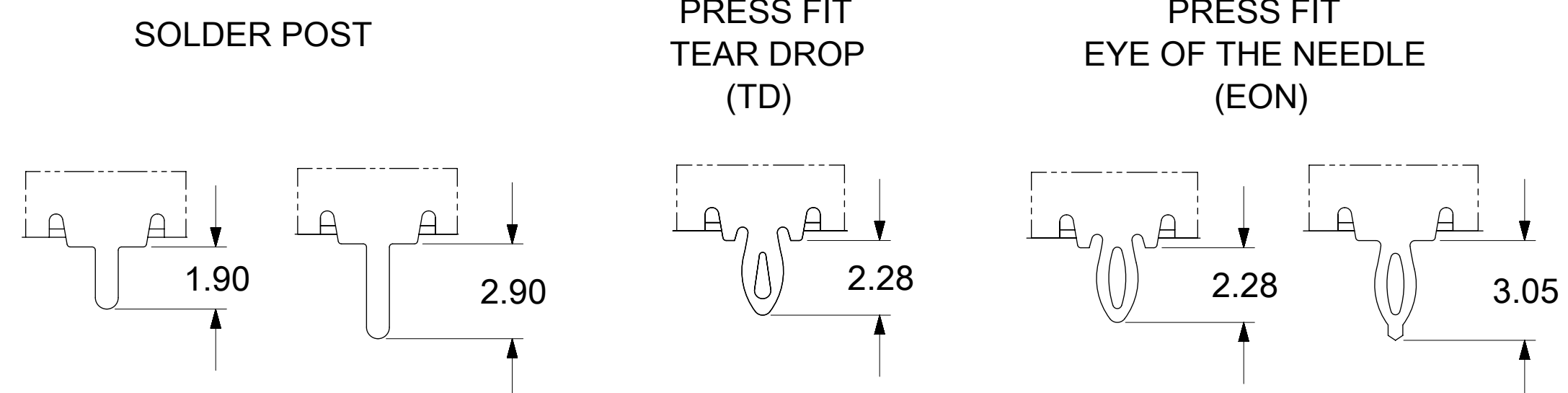
REAR LEG OPTIONS



LEG OPTIONS

HEAT SINK HEIGHT OPTIONS

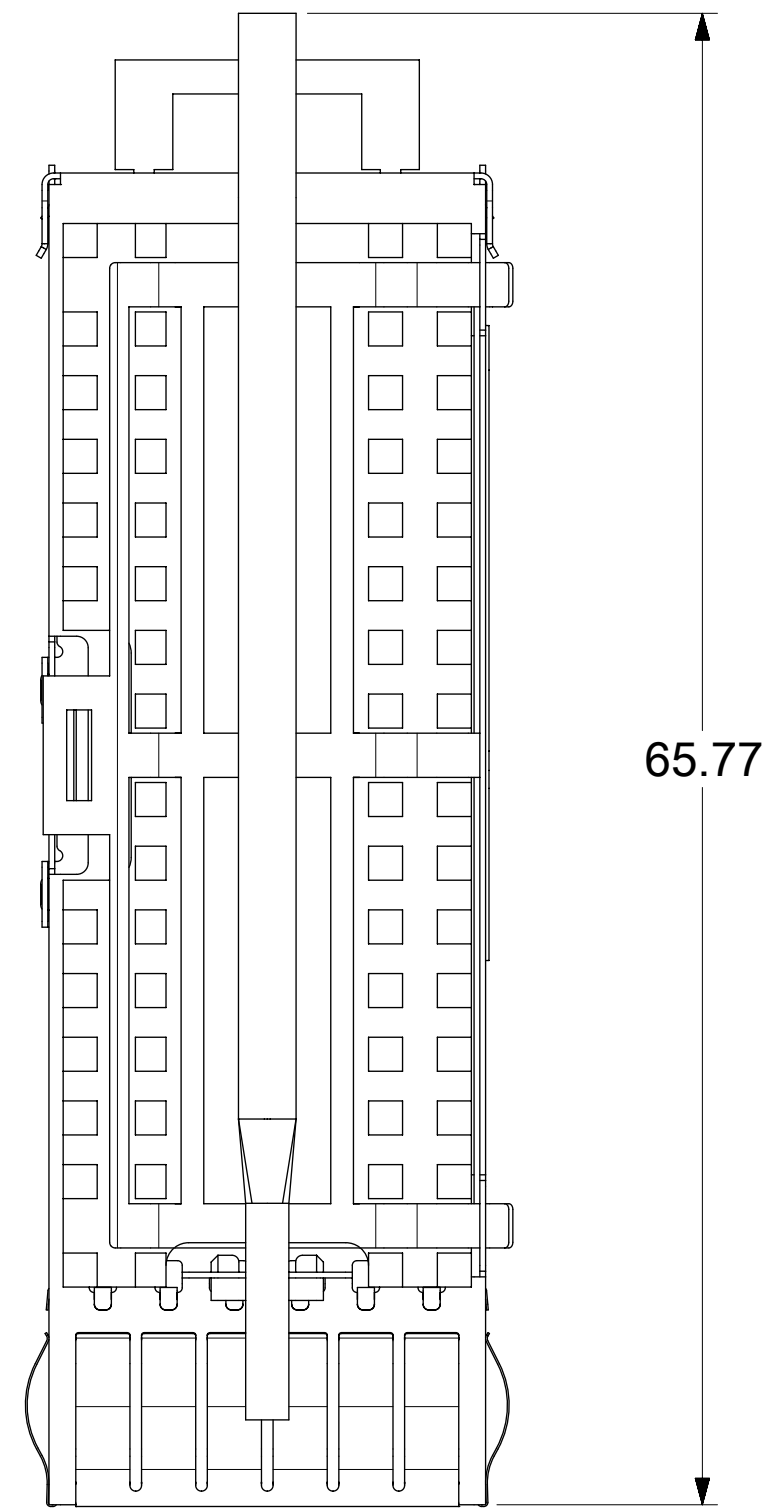
OVERALL HEAT SINK HEIGHT	DIM C
PCI	13.7
SAN	16.0
NET	23.0



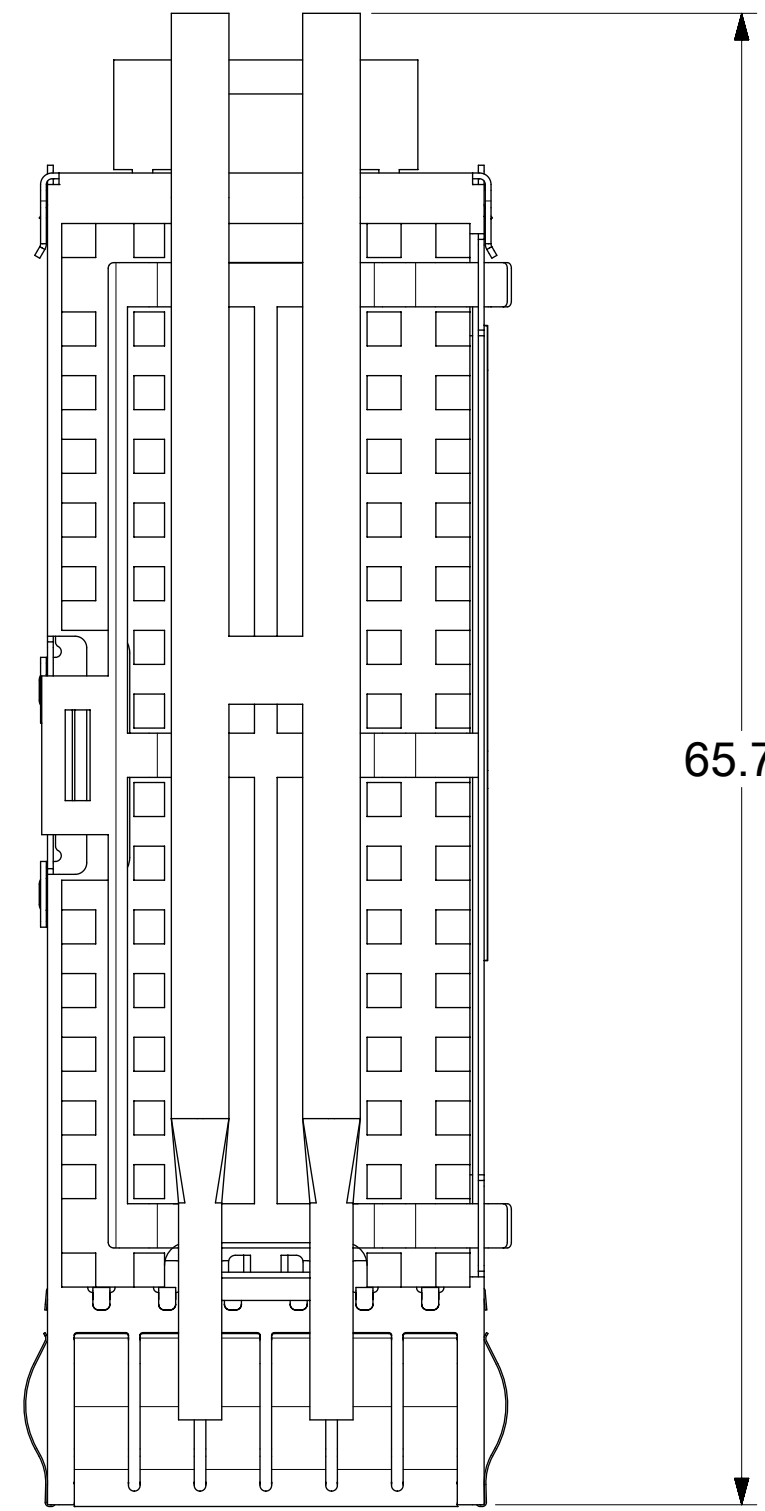
QUALITY SYMBOLS ▽ = 0 ▽ = 0 ▽ = 0 ▽ = 0 ▽ = 0 ▽ = 0 ▽ = 0 ▽ = 0 ▽ = 0				THIS DRAWING CONTAINS INFORMATION THAT IS PROPRIETARY TO MOLEX ELECTRONIC TECHNOLOGIES, LLC AND SHOULD NOT BE USED WITHOUT WRITTEN PERMISSION				DIMENSION UNITS mm		SCALE			
GENERAL TOLERANCES (UNLESS SPECIFIED)		DRWN BY SJKG		DATE 2016/06/23		PRODUCT CUSTOMER DRAWING							
SEE REVISION TABLE		EC NO: 122627 DRWN: MKEMPEGOWDA CHKD: ELIU08 REV APPR: RCHEN08		2017/09/27 2017/09/28 2017/09/28		ANGULAR TOL ± 1.0 °		CHKD BY DSUN15		DATE 2017/06/02			
4 PLACES ±		3 PLACES ±		2 PLACES ± 0.13		1 PLACE ± 0.25		APPR BY RCHEN08		DATE 2017/06/05			
0 PLACES ±		DRAFT WHERE APPLICABLE MUST REMAIN WITHIN DIMENSIONS		DRAWING SIZE D		THIRD ANGLE PROJECTION		SERIES 74750		MATERIAL NUMBER SEE SHEET 5, 6 & 7			
N		DOCUMENT NUMBER 747500021		DOC TYPE PSD		DOC PART ASY		SHEET NUMBER 2 OF 12		CUSTOMER GENERAL MARKET			

¹ HEIGHT OF HEATSINK WITH MODULE INSERTED.
DIMENSION MAY BE LESS DUE TO MODULE AND HEATSINK VARIATIONS.

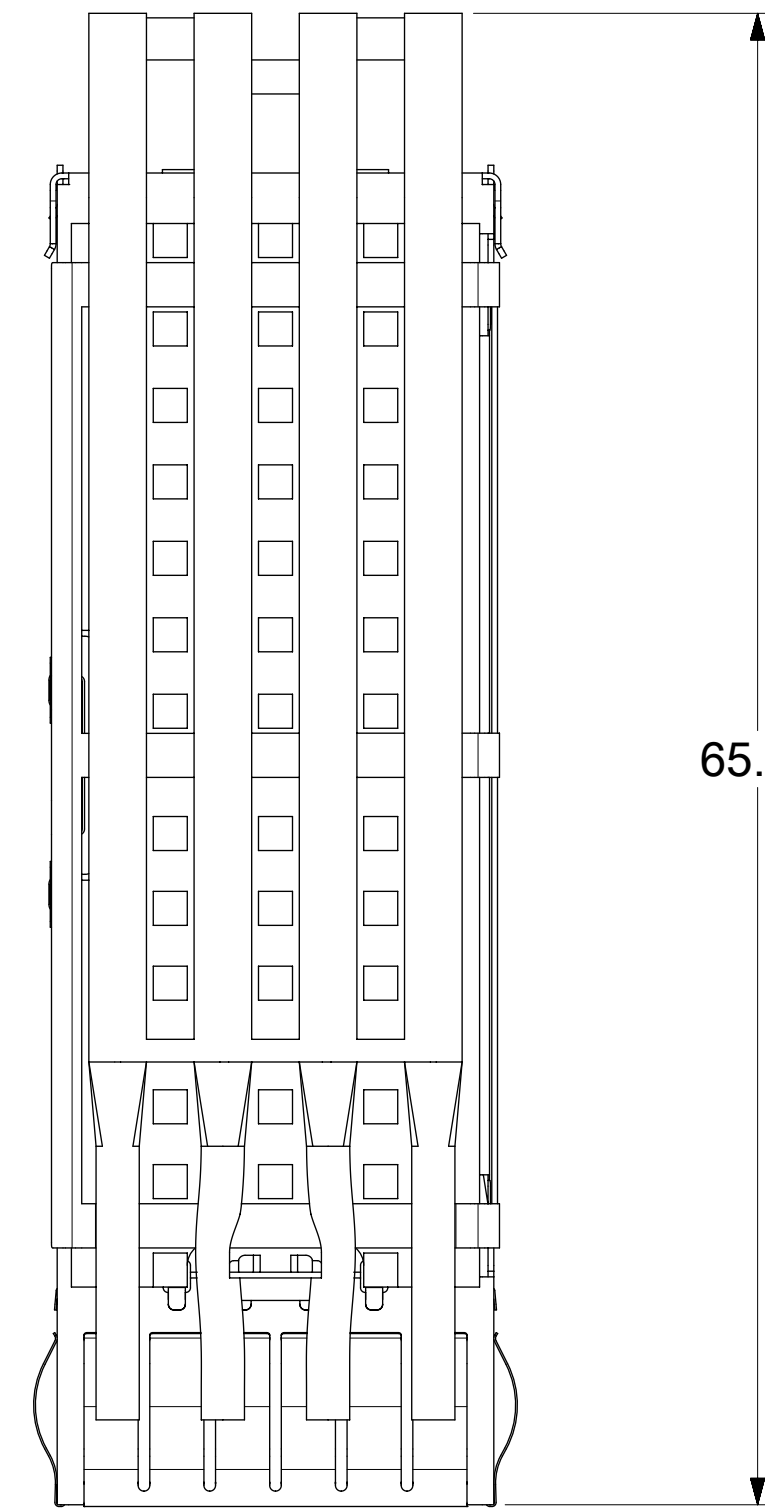
CAGE ASSEMBLY OPTIONS (CONT.)



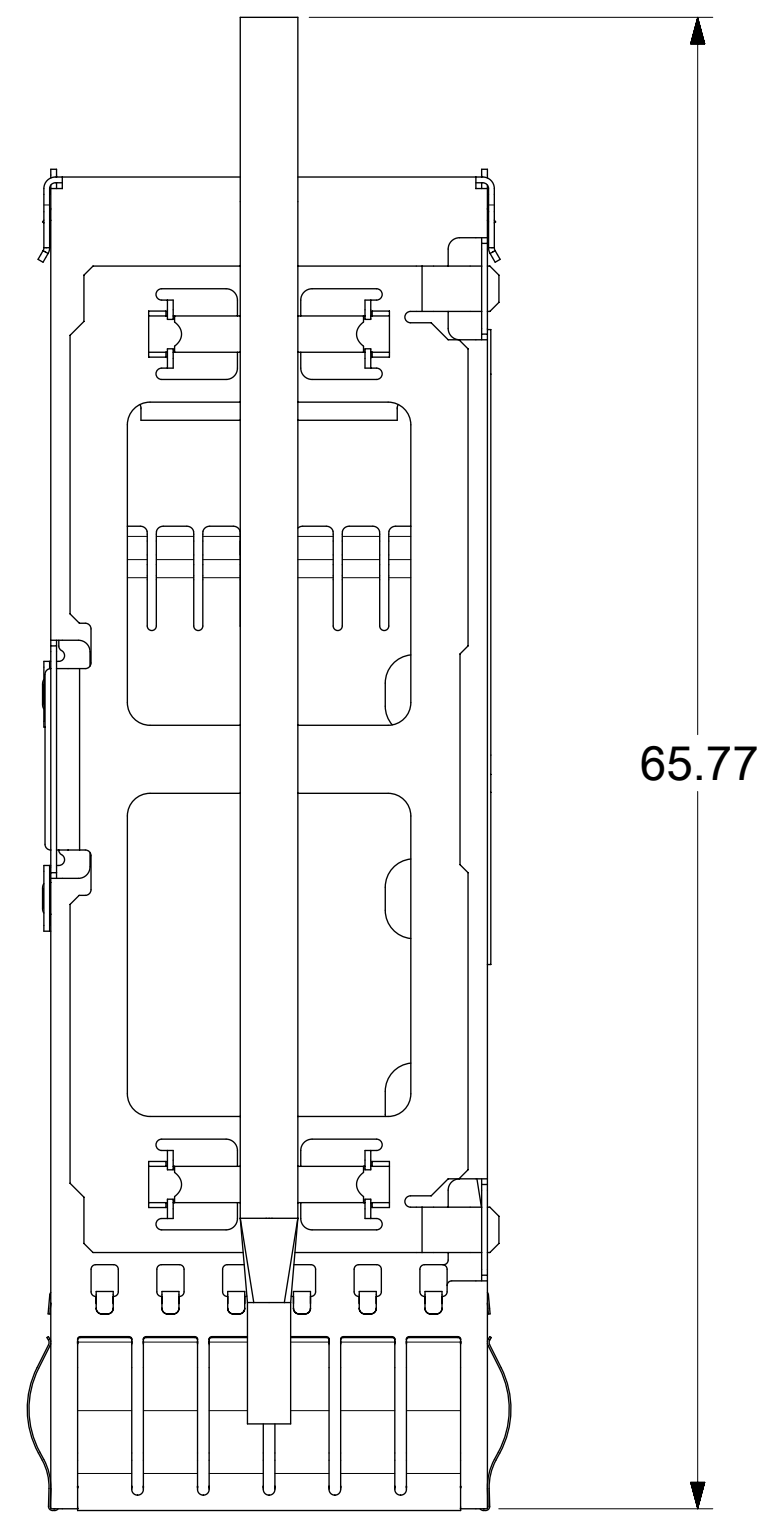
65.77



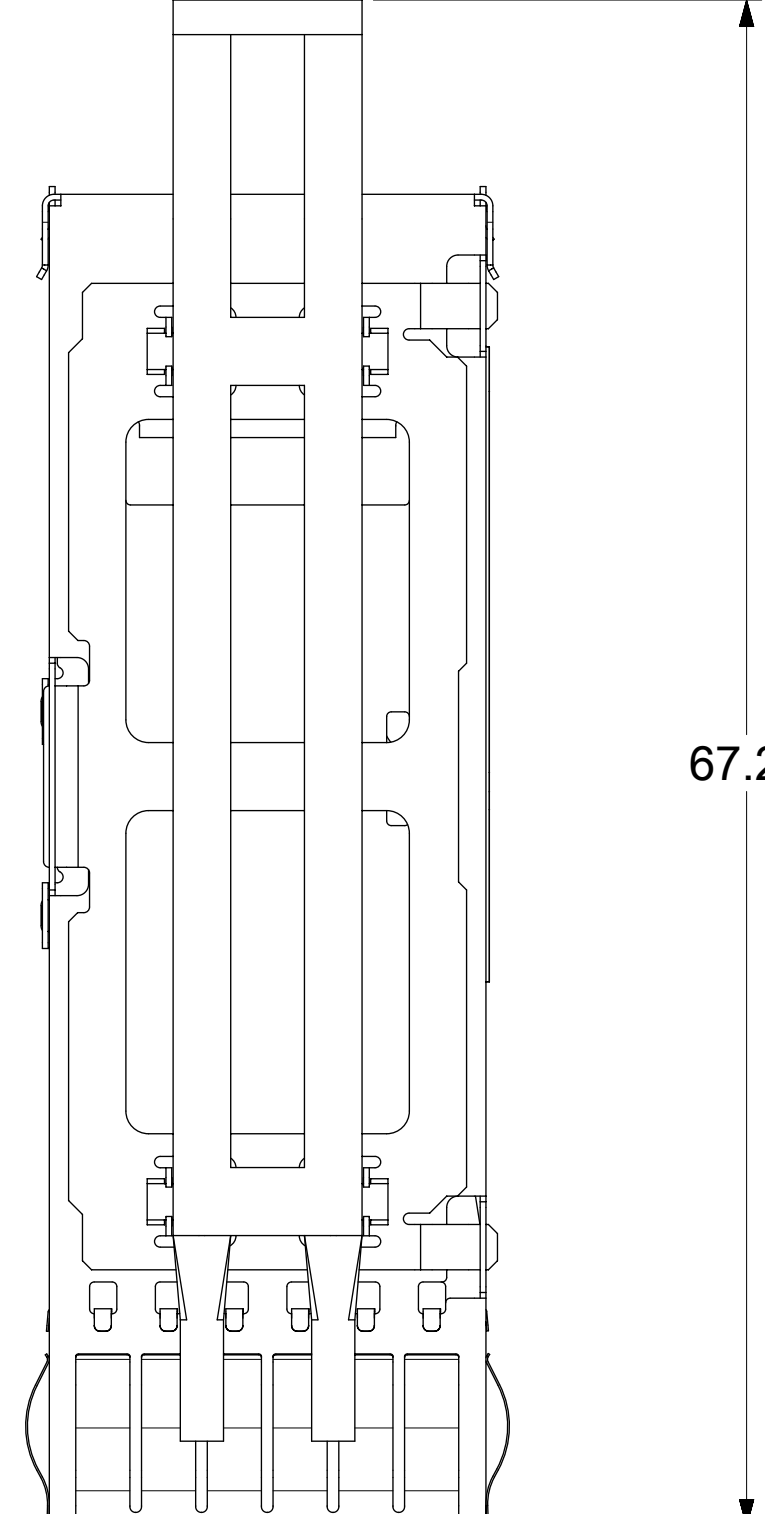
65.77



65.77



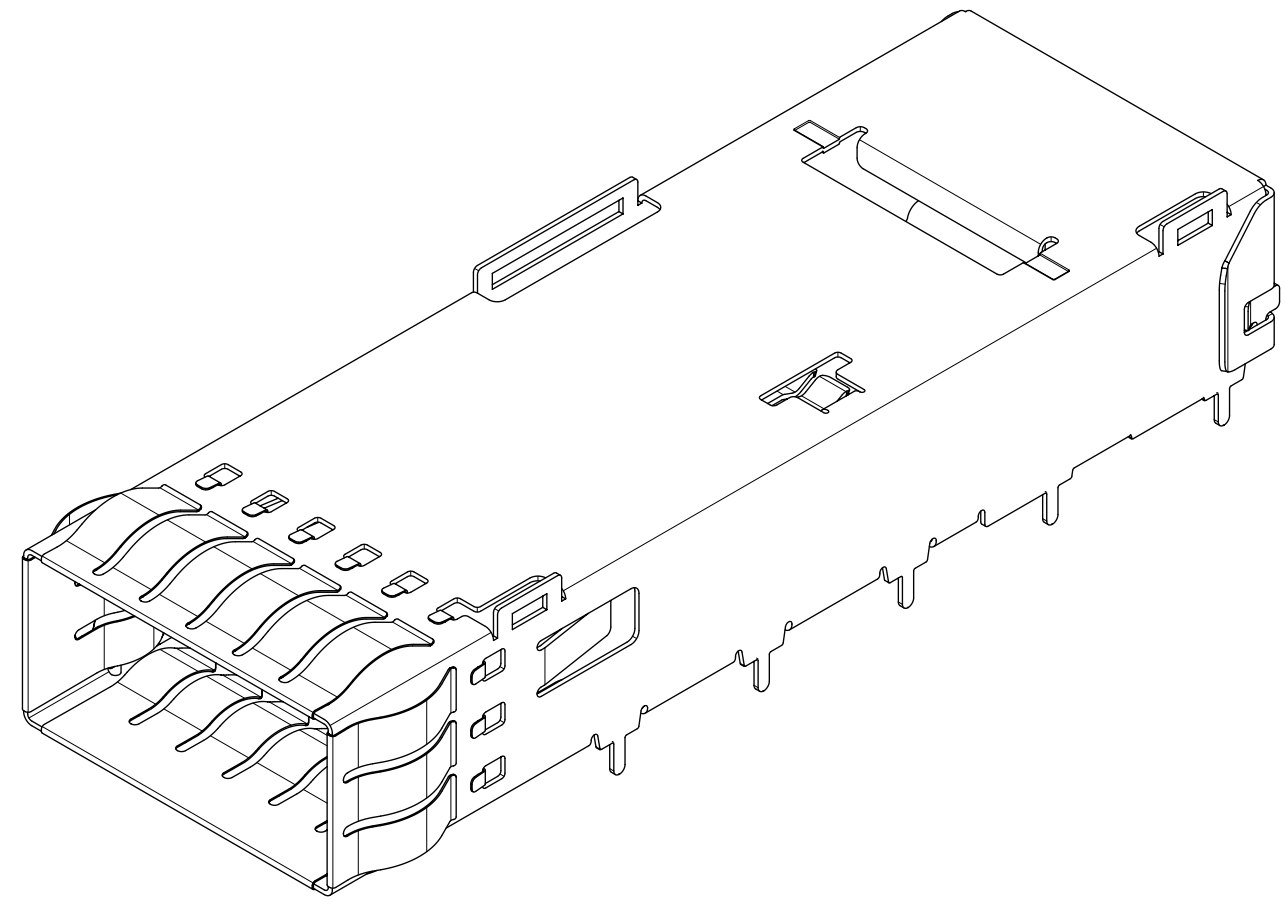
65.77



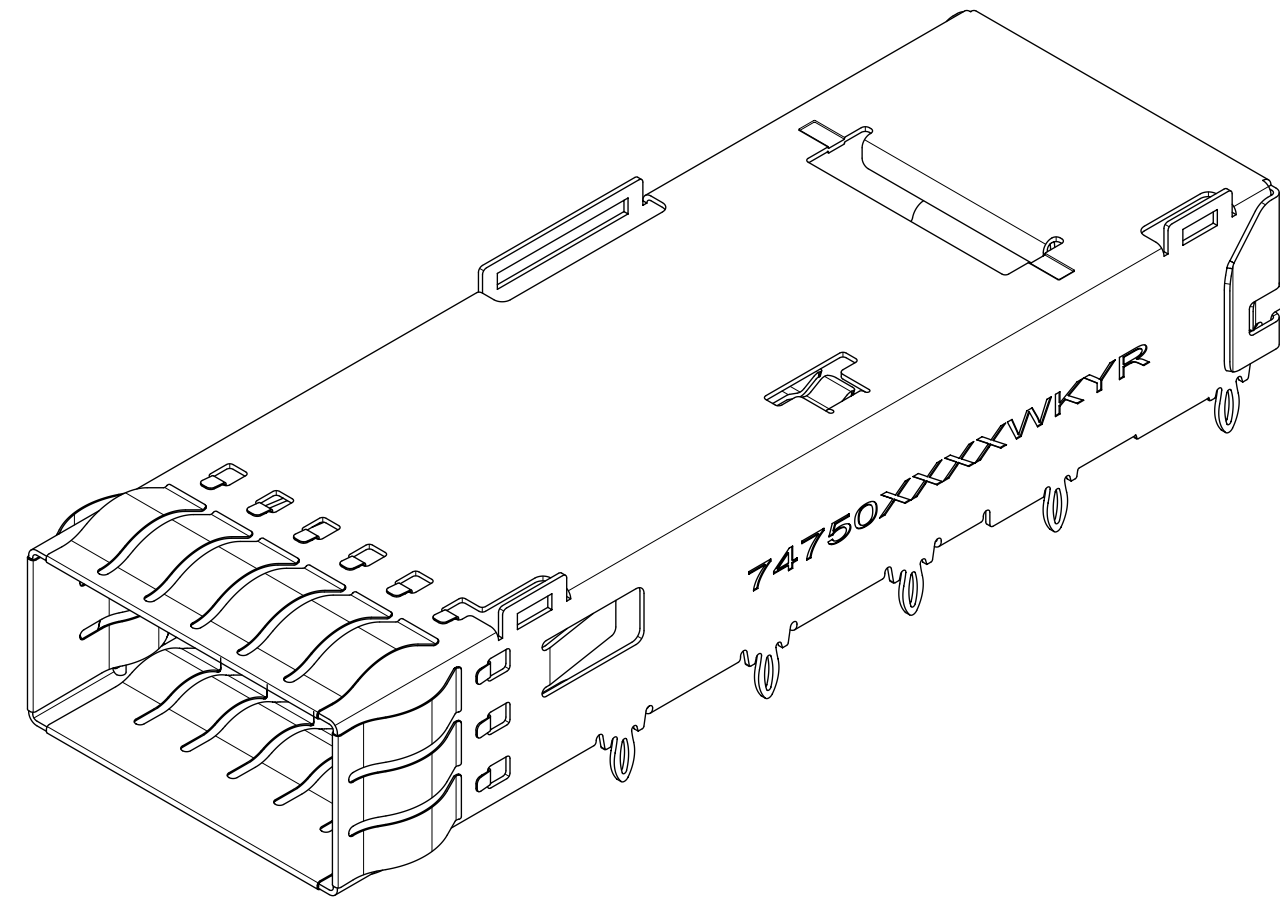
67.29

QUALITY SYMBOLS 		THIS DRAWING CONTAINS INFORMATION THAT IS PROPRIETARY TO MOLEX ELECTRONIC TECHNOLOGIES, LLC AND SHOULD NOT BE USED WITHOUT WRITTEN PERMISSION		DIMENSION UNITS mm		SCALE DRWN BY: SJKG DATE: 2016/06/23			
SEE REVISION TABLE EC NO: 122627 DRWN: MKEMPEGOWDA CHKD: ELIU08 REV APPR: RCHEN08		GENERAL TOLERANCES (UNLESS SPECIFIED) ANGULAR TOL ± 1.0 °		DATE: 2017/09/27 DATE: 2017/09/28 DATE: 2017/09/28		CHKD BY: DSUN15 DATE: 2017/06/02			
4 PLACES ± 3 PLACES ± 2 PLACES ± 0.13 1 PLACE ± 0.25 0 PLACES ±		DRAFT WHERE APPLICABLE MUST REMAIN WITHIN DIMENSIONS		APPR BY: RCHEN08 DATE: 2017/06/05		DRAWING SIZE: D THIRDO ANGLE PROJECTION		SERIES: 74750 MATERIAL NUMBER: SEE SHEET 5, 6 & 7 CUSTOMER: GENERAL MARKET	
RELEASE STATUS: P1		RELEASE DATE: 28.09.2017 09:26:03		DOCUMENT NUMBER: 747500021		DOC TYPE: PSD		DOC PART: ASY SHEET NUMBER: 4 OF 12	

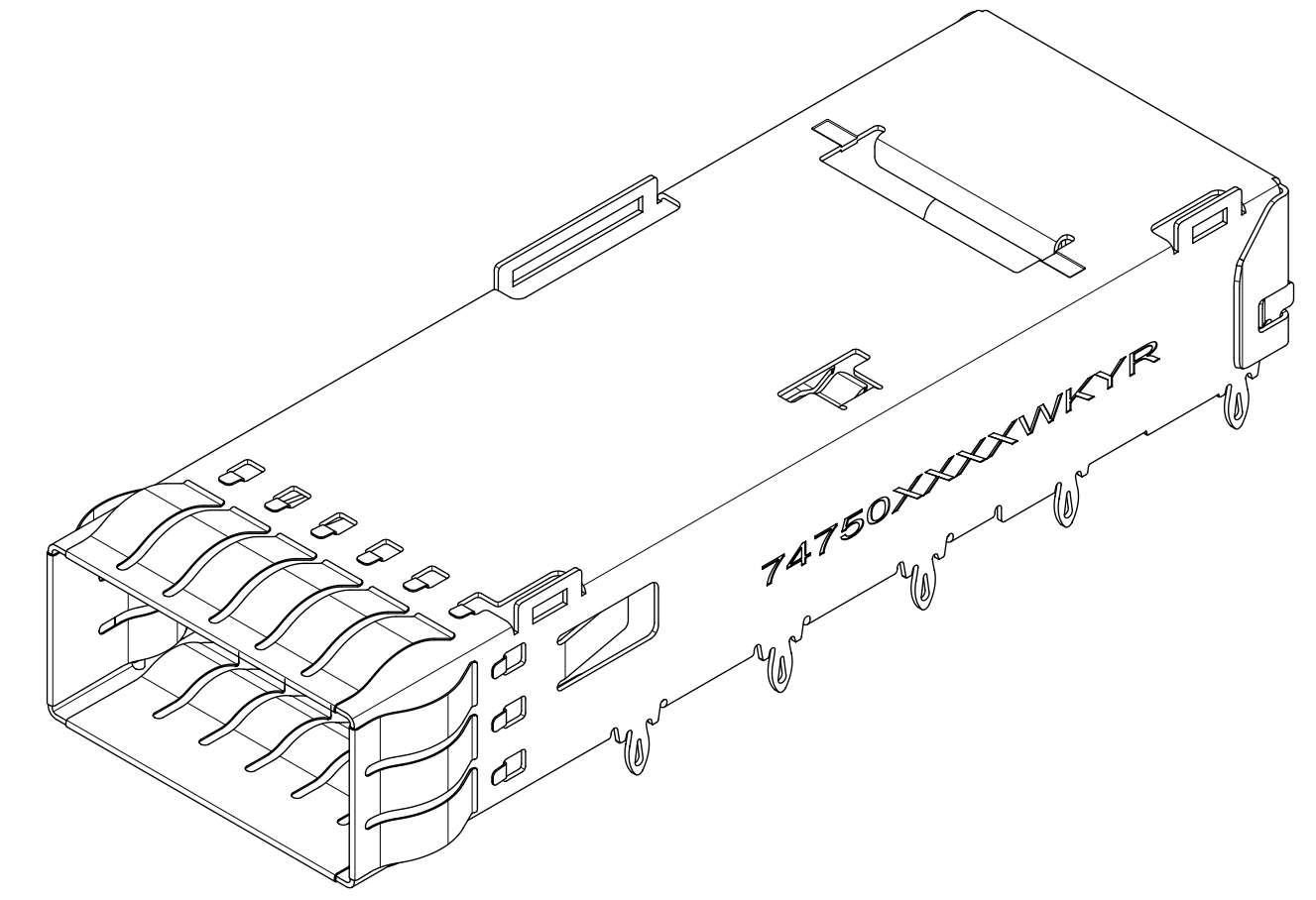
PART NUMBER SELECTION



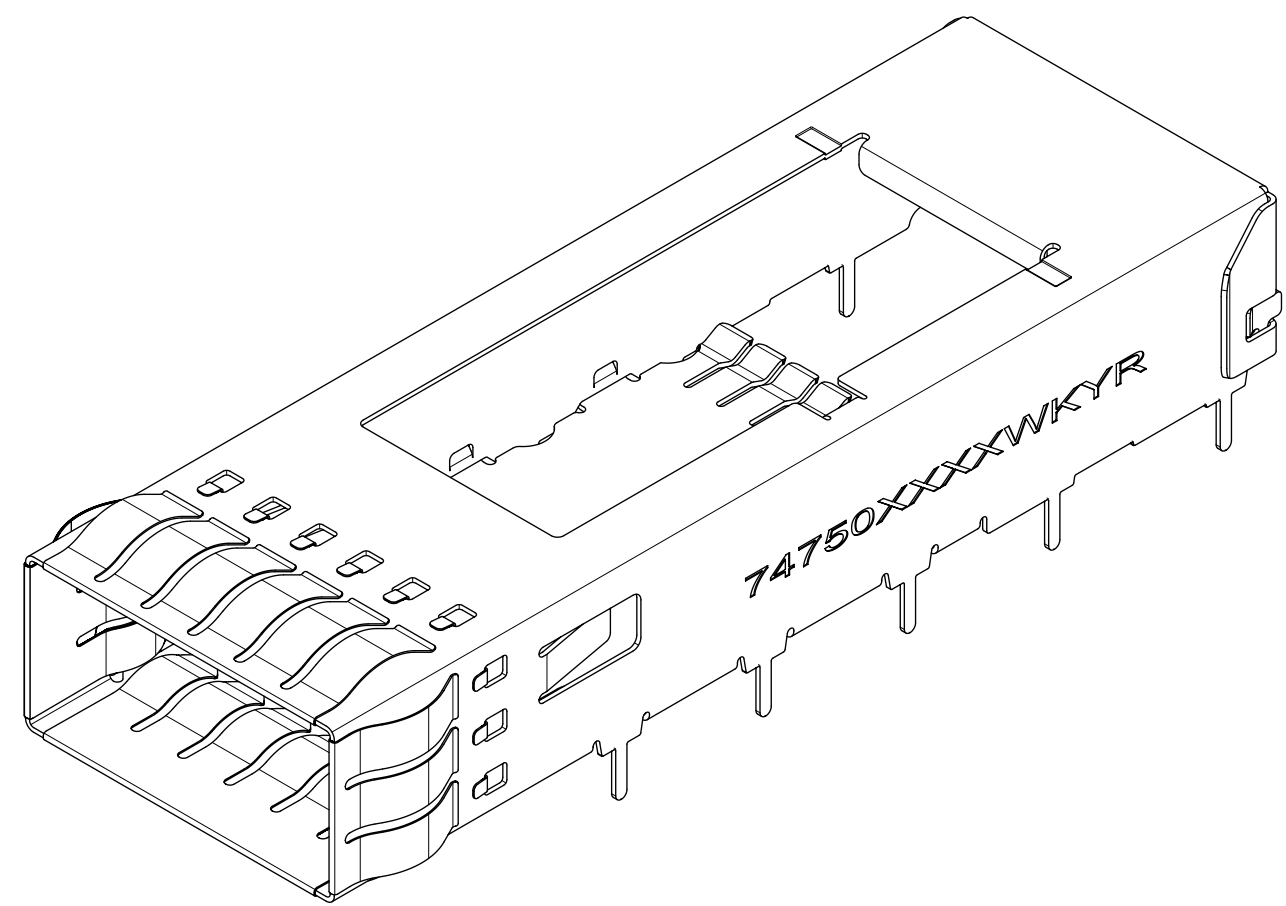
MOLEX P/N	# OF REAR LEGS PER PORT	LEG TYPE	DIM "A"	PLATING
747500051	2	SOLDER POST	1.90	NICKEL
747500053	2	SOLDER POST	1.90	MATTE TIN
747500056	2	SOLDER POST	1.90	BRIGHT TIN



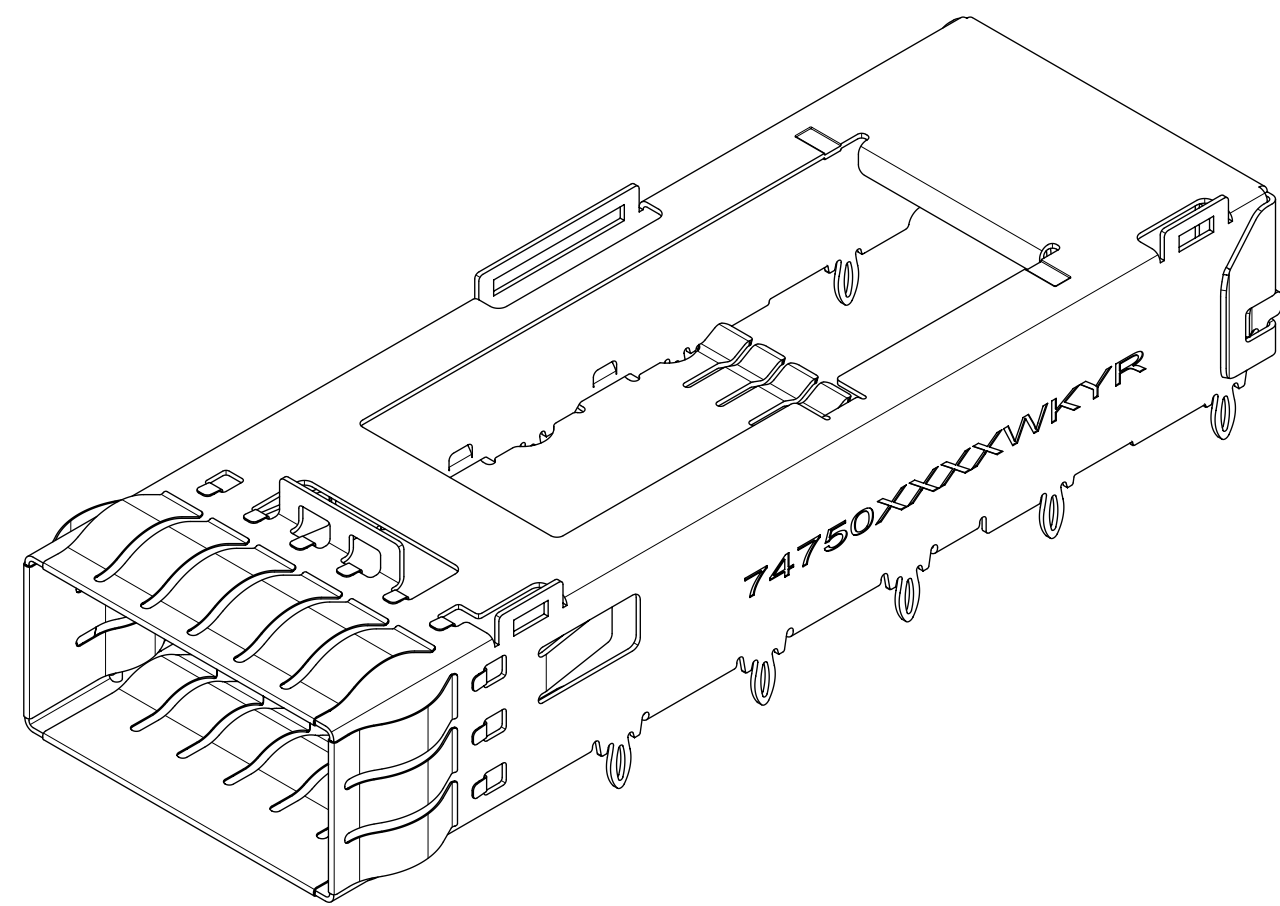
MOLEX P/N	# OF REAR LEGS PER PORT	LEG TYPE	DIM "A"	PLATING
747500024	2	PRESS FIT-EON	2.28	NICKEL



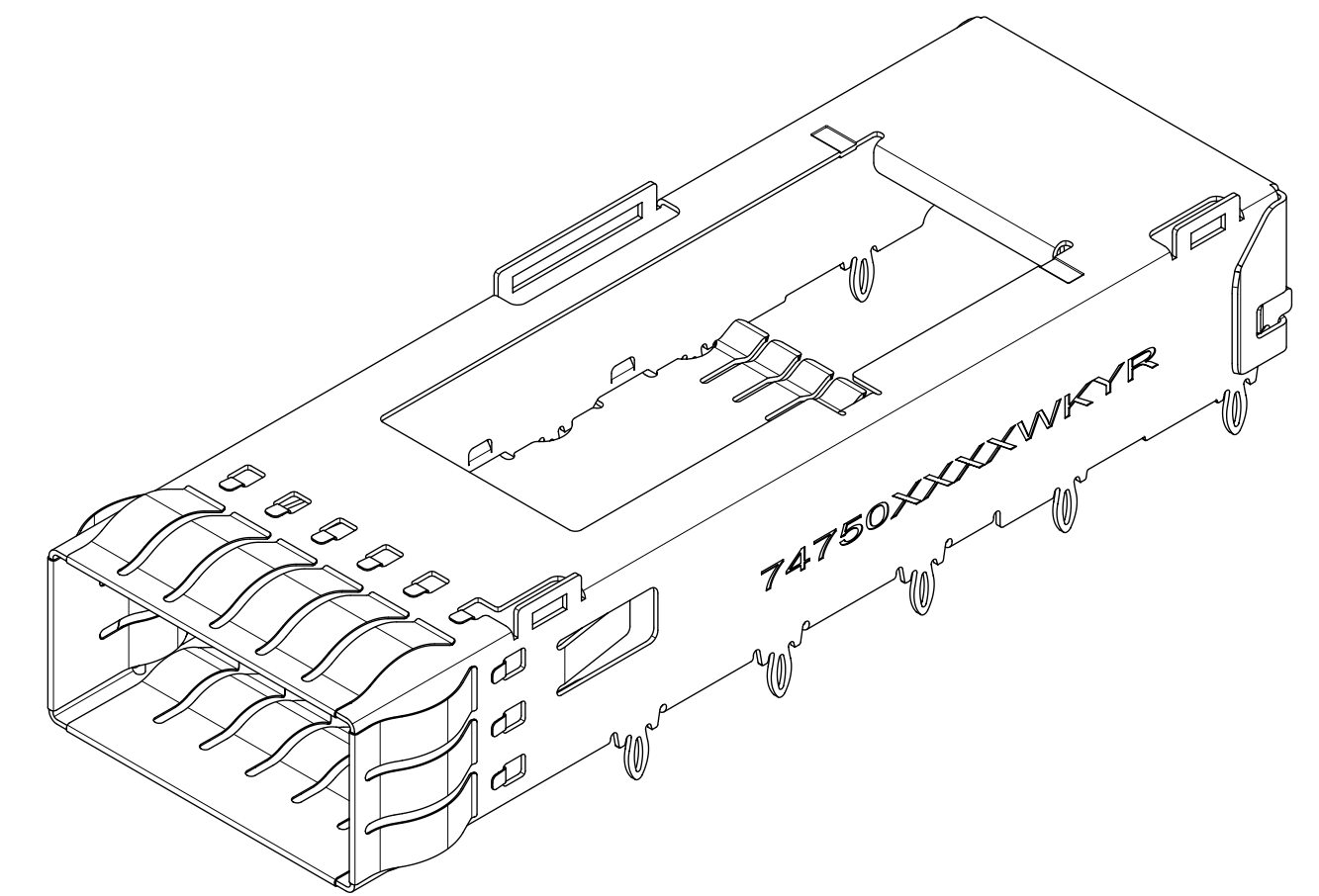
MOLEX P/N	# OF REAR LEGS PER PORT	LEG TYPE	DIM "A"	PLATING
747501102	2	PRESS FIT-TD	2.28	NICKEL
747501103	0	PRESS FIT-TD	2.28	NICKEL



MOLEX P/N	# OF REAR LEGS PER PORT	LEG TYPE	DIM "A"	PLATING
747500062	2	SOLDER POST	2.90	NICKEL
747500058	2	SOLDER POST	2.28	NICKEL



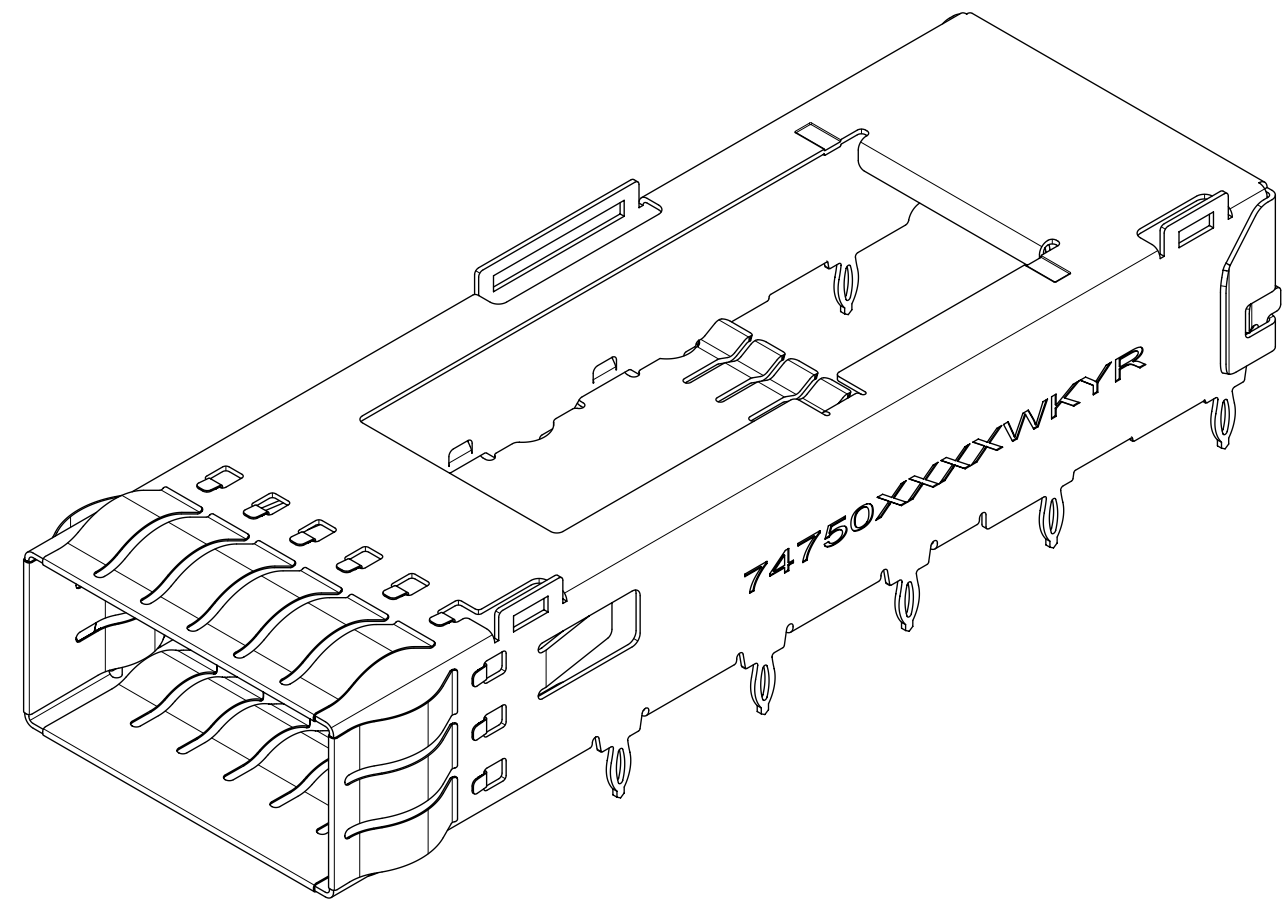
MOLEX P/N	# OF REAR LEGS PER PORT	LEG TYPE	DIM "A"	PLATING
747500092	2	PRESS FIT-EON	2.28	NICKEL
747500093	0	PRESS FIT-EON	2.28	NICKEL



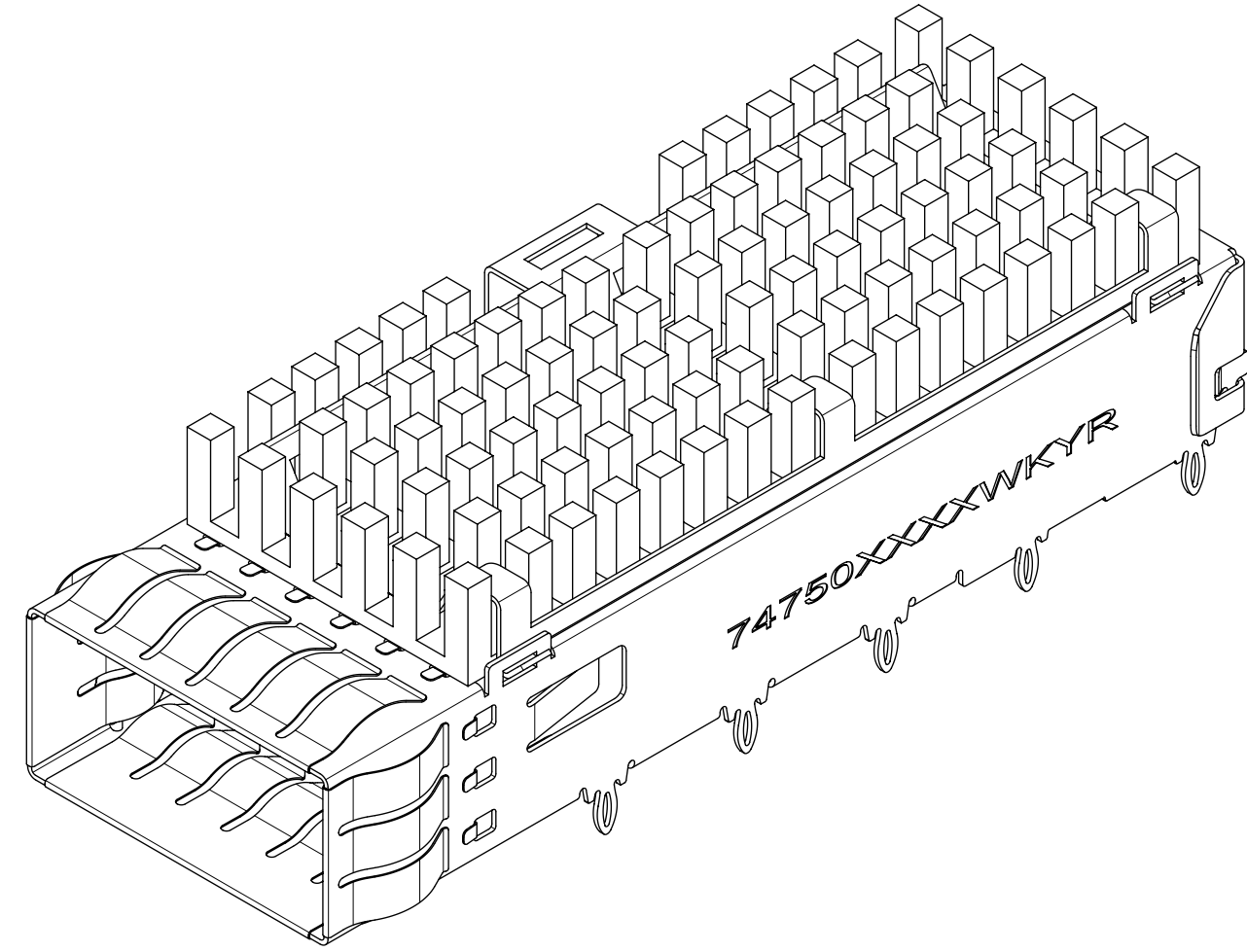
MOLEX P/N	# OF REAR LEGS PER PORT	LEG TYPE	DIM "A"	PLATING
747500021	2	PRESS FIT-EON	2.28	NICKEL
747500023	0	PRESS FIT-EON	2.28	NICKEL
747501100	2	PRESS FIT-TD	2.28	NICKEL
747501101	0	PRESS FIT-TD	2.28	NICKEL

QUALITY SYMBOLS □ = 0 ▽ = 0 ▽ = 0 ▽ = 0 ▽ = 0 ▽ = 0 ▽ = 0 ▽ = 0 ▽ = 0 ▽ = 0 ▽ = 0	THIS DRAWING CONTAINS INFORMATION THAT IS PROPRIETARY TO MOLEX ELECTRONIC TECHNOLOGIES, LLC AND SHOULD NOT BE USED WITHOUT WRITTEN PERMISSION				
	SEE REVISION TABLE EC NO: 122627 DRWN: MKEMPEGOWDA CHKD: ELIU08 REV APPR: RCHEN08	2017/09/27	2017/09/28	2017/09/28	2017/09/28
		GENERAL TOLERANCES (UNLESS SPECIFIED)		DIMENSION UNITS	SCALE
		ANGULAR TOL ± 1.0 °		mm	
		4 PLACES ±	SJKG	DATE	2016/06/23
		3 PLACES ±	CHKD BY	DATE	
	2 PLACES ± 0.13	DSUN15	DATE	2017/06/02	
	1 PLACE ± 0.25	APPR BY	DATE		
	0 PLACES ±	RCHEN08	DATE	2017/06/05	
	DRAFT WHERE APPLICABLE MUST REMAIN WITHIN DIMENSIONS		DRAWING SIZE	THIRD ANGLE PROJECTION	
D					
molex QSFP+ 1X1 CAGE ASSEMBLY WITH SPRING FINGER TYPE PRODUCT CUSTOMER DRAWING		SERIES	MATERIAL NUMBER	CUSTOMER	
		74750	SEE SHEET 5, 6 & 7	GENERAL MARKET	
RELEASE STATUS		P1	RELEASE DATE	28.09.2017 09:26:03	
DOCUMENT NUMBER		DOC TYPE		DOC PART SHEET NUMBER	
747500021		PSD		ASY 5 OF 12	

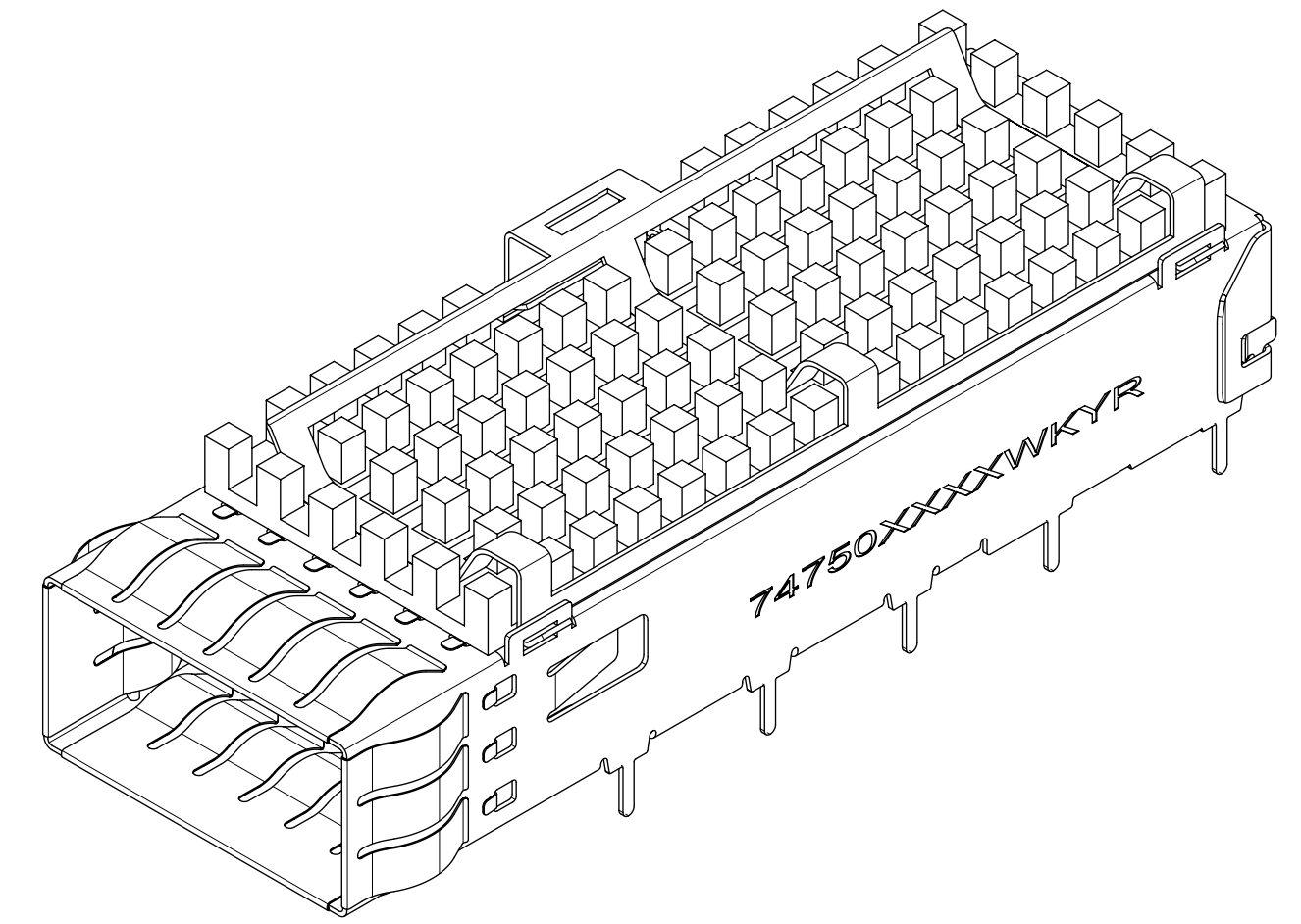
PART NUMBER SELECTION (CONT)



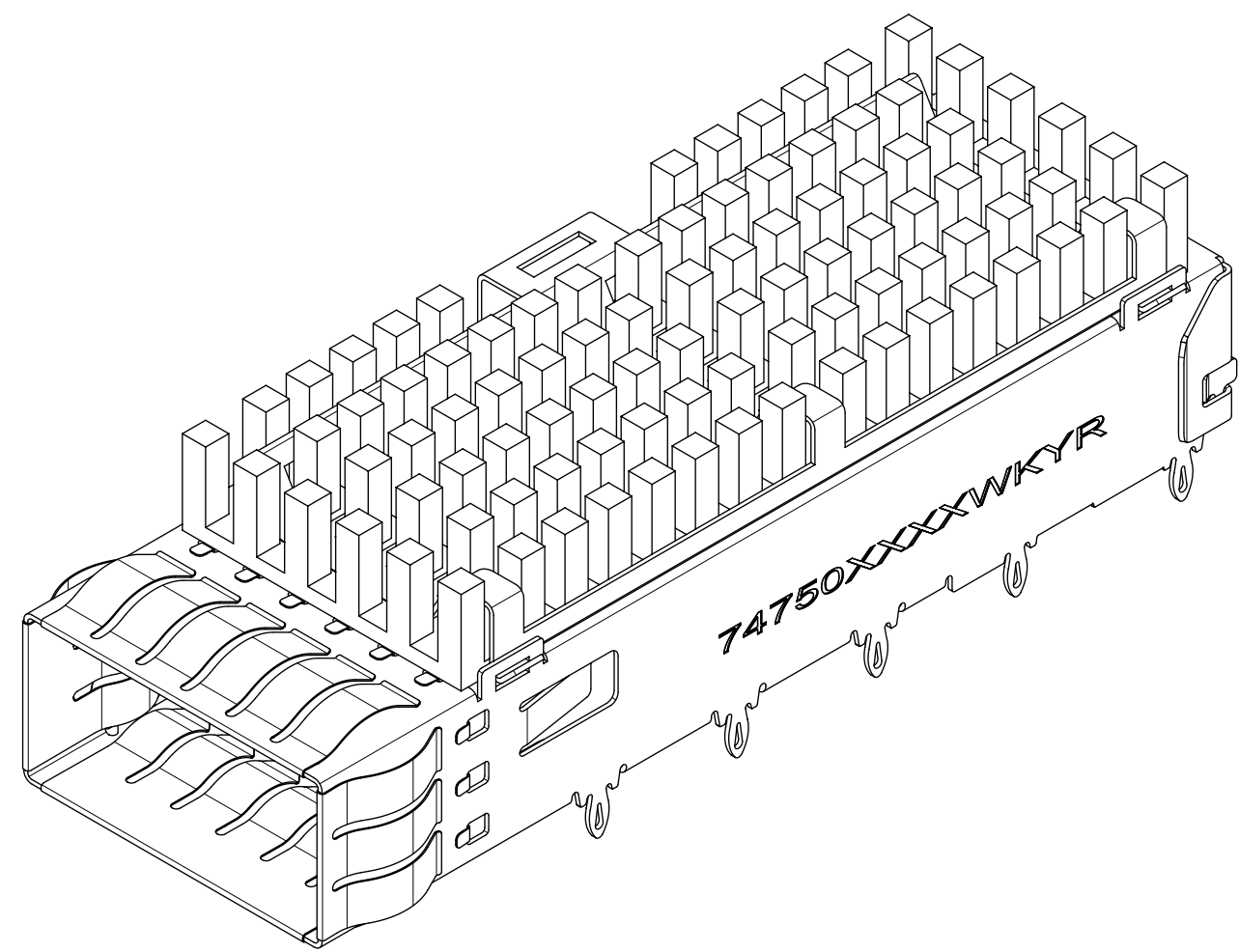
MOLEX P/N	# OF REAR LEGS PER PORT	LEG TYPE	DIM "A"	PLATING
747500012	2	PRESS FIT-EON	3.05	NICKEL



MOLEX P/N	HS	# OF REAR LEGS PER PORT	LEG TYPE	DIM "A"	PLATING
747500040	SAN	2	PRESS FIT-EON	2.28	NICKEL
747500042	SAN	0	PRESS FIT-EON	2.28	NICKEL
747500044	PCI	2	PRESS FIT-EON	2.28	NICKEL
747500046	NET	2	PRESS FIT-EON	2.28	NICKEL



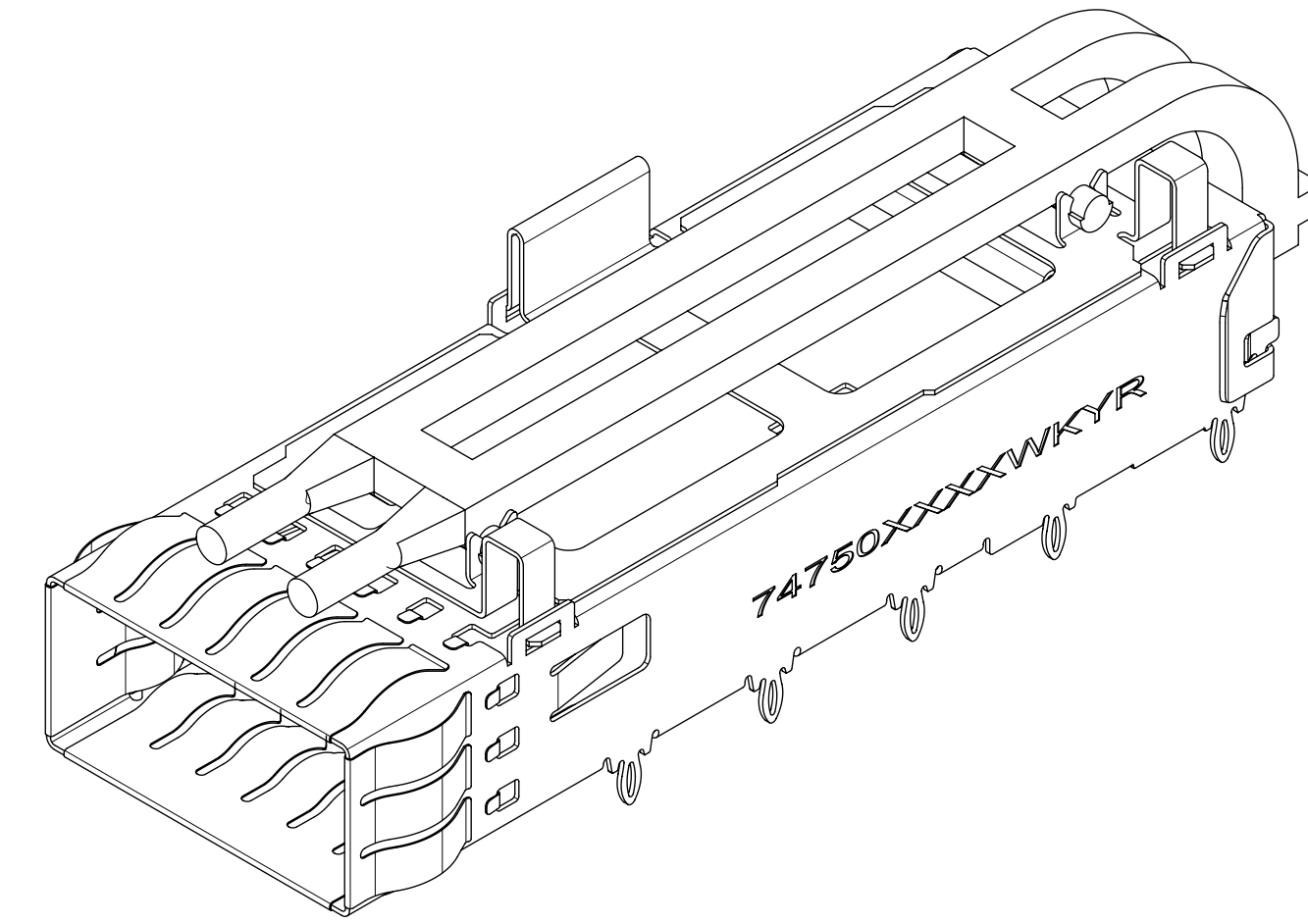
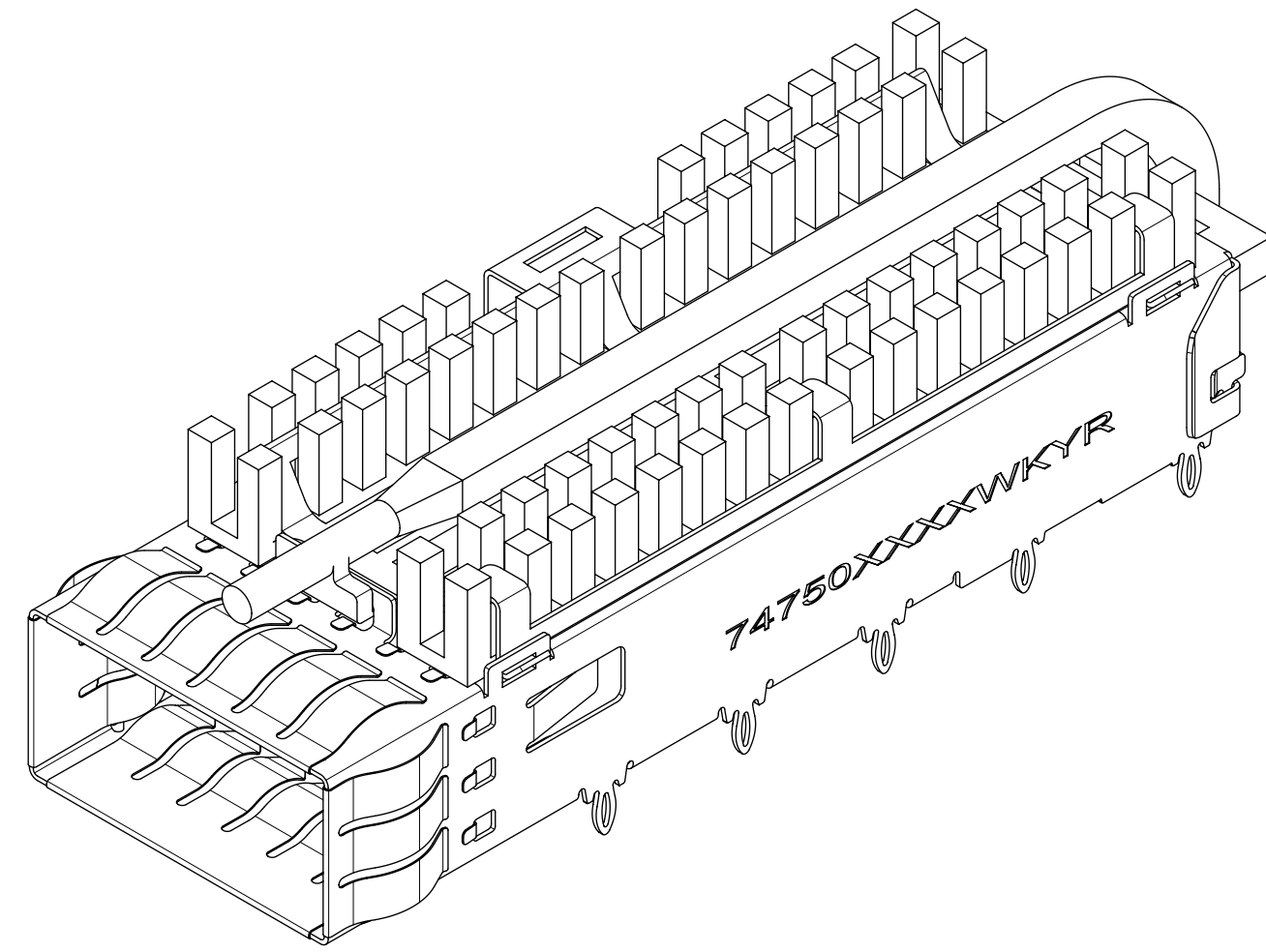
MOLEX P/N	HS	# OF REAR LEGS PER PORT	LEG TYPE	DIM "A"	PLATING
747500057	PCI	2	SOLDER POST	2.90	NICKEL
747500059	SAN	2	SOLDER POST	2.90	NICKEL
747500063	NET	2	SOLDER POST	2.90	NICKEL



MOLEX P/N	MOLEX CAGE W/O HS ASSEMBLY P/N	HS	# OF REAR LEGS PER PORT	LEG TYPE	DIM "A"	PLATING
747501140	747501100	SAN	2	PRESS FIT-TD	2.28	NICKEL
747501141	747501101	SAN	0	PRESS FIT-TD	2.28	NICKEL
747501142	747501100	PCI	2	PRESS FIT-TD	2.28	NICKEL
747501143	747501100	NET	2	PRESS FIT-TD	2.28	NICKEL

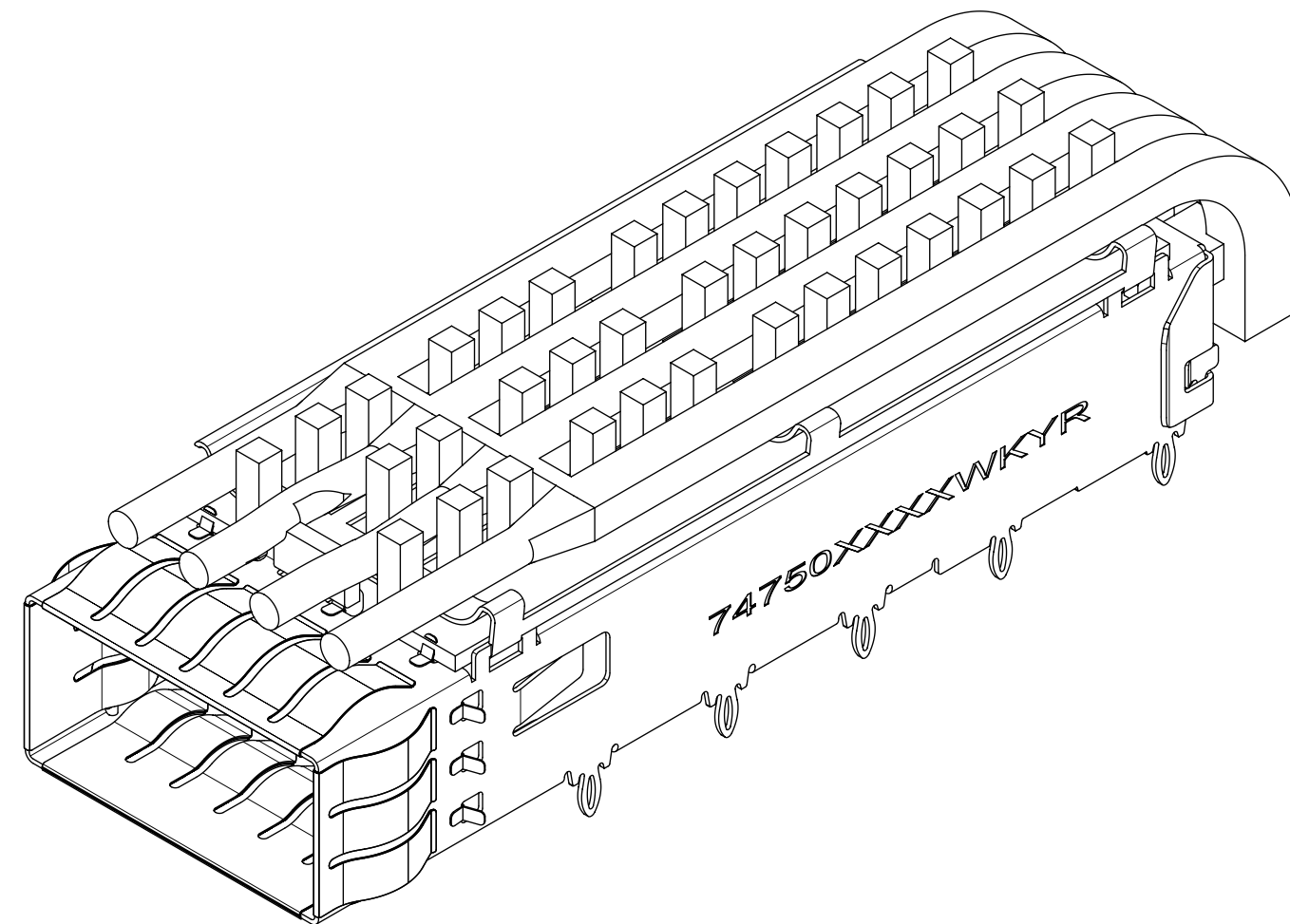
QUALITY SYMBOLS □ = 0 ▽ = 0 ▽ = 0 ▽ = 0 ▽ = 0 ▽ = 0 ▽ = 0 ▽ = 0 ▽ = 0 ▽ = 0 ▽ = 0	THIS DRAWING CONTAINS INFORMATION THAT IS PROPRIETARY TO MOLEX ELECTRONIC TECHNOLOGIES, LLC AND SHOULD NOT BE USED WITHOUT WRITTEN PERMISSION										
	SEE REVISION TABLE EC NO: 122627 DRWN: MKEMPEGOWDA CHKD: ELIU08 REV APPR: RCHEN08	2017/09/27	2017/09/28	2017/09/28	GENERAL TOLERANCES (UNLESS SPECIFIED)		DIMENSION UNITS	SCALE			
		ANGULAR TOL ± 1.0 °		mm		DRWN BY	DATE				
		4 PLACES ±	SJKG		2016/06/23		CHKD BY	DATE			
		3 PLACES ±	DSUN15		2017/06/02		APPR BY	DATE			
		2 PLACES ± 0.13	RCHEN08		2017/06/05		DRAWING SIZE	THIRD ANGLE PROJECTION			
	1 PLACE ± 0.25	DRAFT WHERE APPLICABLE MUST REMAIN WITHIN DIMENSIONS		D				PRODUCT CUSTOMER DRAWING			
	0 PLACES ±	SERIES	MATERIAL NUMBER	CUSTOMER	QSFP+ 1X1 CAGE ASSEMBLY WITH SPRING FINGER TYPE						
		74750	SEE SHEET 5, 6 & 7	GENERAL MARKET							
		DOCUMENT NUMBER	DOC TYPE	DOC PART	SHEET NUMBER	747500021 PSD ASY 6 OF 12					

PART NUMBER SELECTION (CONT)



MOLEX P/N	MOLEX CAGE W/O HS ASSEMBLY P/N	LP SINGLE(747500403) DUAL(747500404)	TIP STYLE	HS	# OF REAR LEGS PER PORT	LEG TYPE	DIM "A"	DIM "B"	PLATING
747500080	747500092	SINGLE	ROUND	SAN	2	PRESS FIT-EON	2.28	60.25	NICKEL
747500081	747500092	SINGLE	ROUND	NET	2	PRESS FIT-EON	2.28	60.25	NICKEL
747500082	747500092	DUAL	ROUND	SAN	2	PRESS FIT-EON	2.28	60.25	NICKEL
747500083	747500092	DUAL	ROUND	NET	2	PRESS FIT-EON	2.28	60.25	NICKEL
747500084	747500093	SINGLE	ROUND	SAN	0	PRESS FIT-EON	2.28	60.25	NICKEL
747500085	747500093	SINGLE	ROUND	NET	0	PRESS FIT-EON	2.28	60.25	NICKEL
747500086	747500093	DUAL	ROUND	SAN	0	PRESS FIT-EON	2.28	60.25	NICKEL
747500087	747500093	DUAL	ROUND	NET	0	PRESS FIT-EON	2.28	60.25	NICKEL
747500088	N/A	DUAL	ROUND	NET	2	PRESS FIT-TD	2.28	60.25	NICKEL

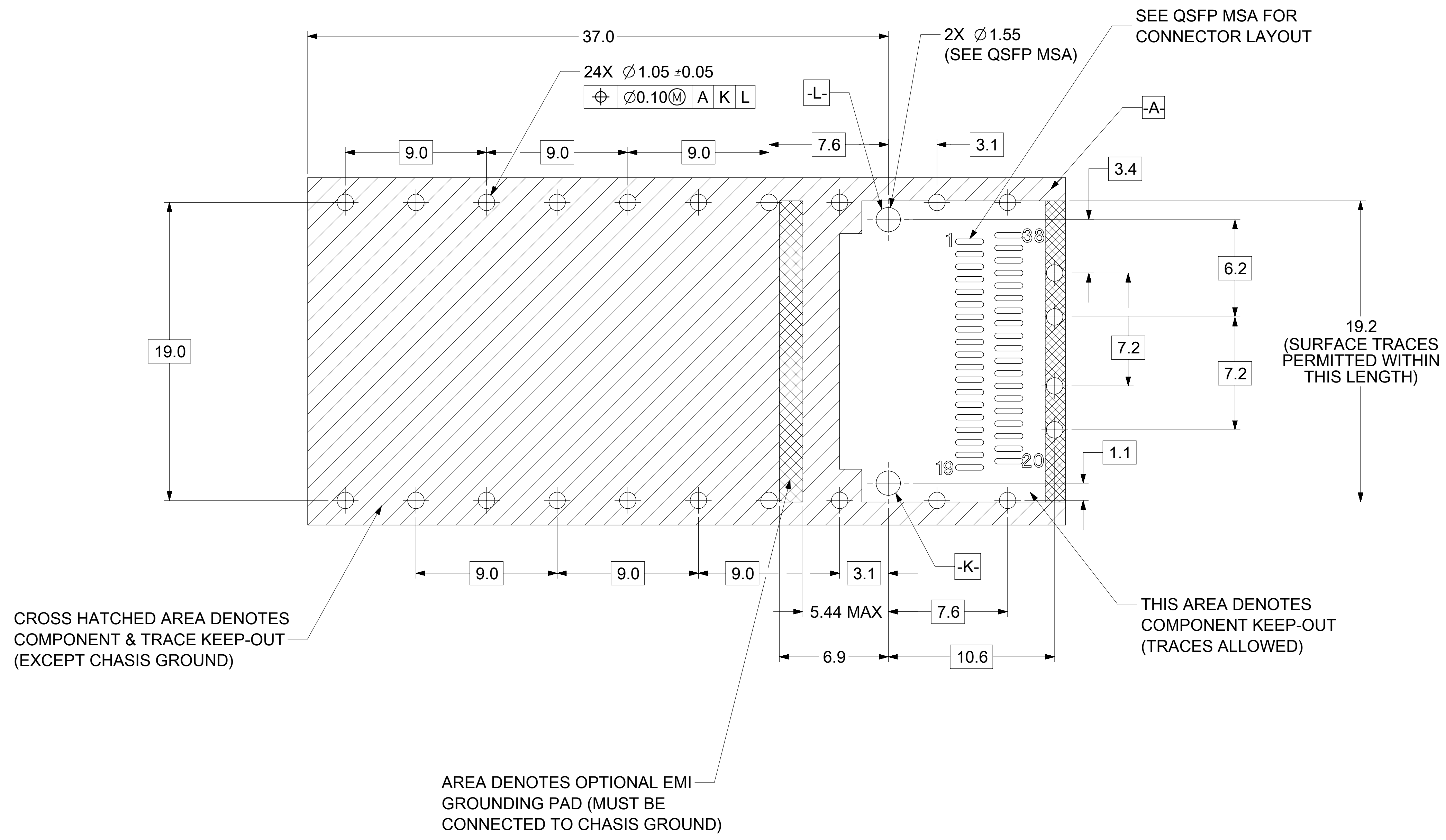
MOLEX P/N	MOLEX CAGE W/O HS ASSEMBLY P/N	LIGHT PIPE ASSEMBLY P/N	TIP STYLE	# OF REAR LEGS PER PORT	LEG TYPE	DIM "A"	DIM "B"	PLATING
747501586	747500024	747500031	ROUND	2	PRESS FIT-EON	2.28	60.25	NICKEL



MOLEX P/N	LP	TIP STYLE	HS	# OF REAR LEGS PER PORT	LEG TYPE	DIM "A"	DIM "B"	PLATING
747501580	QUAD	ROUND	PCI	2	PRESS FIT-EON	2.28	60.25	NICKEL
747501581	QUAD	ROUND	SAN	2	PRESS FIT-EON	2.28	60.25	NICKEL
747501582	QUAD	ROUND	NET	2	PRESS FIT-EON	2.28	60.25	NICKEL
747501583	QUAD	ROUND	PCI	0	PRESS FIT-EON	2.28	60.25	NICKEL
747501584	QUAD	ROUND	SAN	0	PRESS FIT-EON	2.28	60.25	NICKEL
747501585	QUAD	ROUND	NET	0	PRESS FIT-EON	2.28	60.25	NICKEL

THIS DRAWING CONTAINS INFORMATION THAT IS PROPRIETARY TO MOLEX ELECTRONIC TECHNOLOGIES, LLC AND SHOULD NOT BE USED WITHOUT WRITTEN PERMISSION									
QUALITY SYMBOLS	SEE REVISION TABLE EC NO: 122627 DRWN: MKEMPEGOWDA CHKD: ELIU08 REV APPR: RCHEN08	GENERAL TOLERANCES (UNLESS SPECIFIED)		DIMENSION UNITS	SCALE				
		ANGULAR TOL ± 1.0 °		mm					
▽ = 0	EC NO: 122627 DRWN: MKEMPEGOWDA CHKD: ELIU08 REV APPR: RCHEN08	4 PLACES ±		DRWN BY	DATE	QSFP+ 1X1 CAGE ASSEMBLY WITH SPRING FINGER TYPE			
▽ = 0		3 PLACES ±		SJKG	2016/06/23				
▽ = 0		2 PLACES ± 0.13		CHKD BY	DATE	PRODUCT CUSTOMER DRAWING			
▽ = 0		1 PLACE ± 0.25		DSUN15	2017/06/02				
▽ = 0		0 PLACES ±		APPR BY	DATE	SERIES MATERIAL NUMBER CUSTOMER 74750 SEE SHEET 5, 6 & 7 GENERAL MARKET			
▽ = 0		DRAFT WHERE APPLICABLE MUST REMAIN WITHIN DIMENSIONS		RCHEN08	2017/06/05				
▽ = 0	DRAFT WHERE APPLICABLE MUST REMAIN WITHIN DIMENSIONS		DRAWING SIZE	THIRD ANGLE PROJECTION	DOCUMENT NUMBER 747500021 DOC TYPE PSD DOC PART ASY SHEET NUMBER 7 OF 12				

PCB LAYOUT FOR BELLY TO BELLY MOUNTING



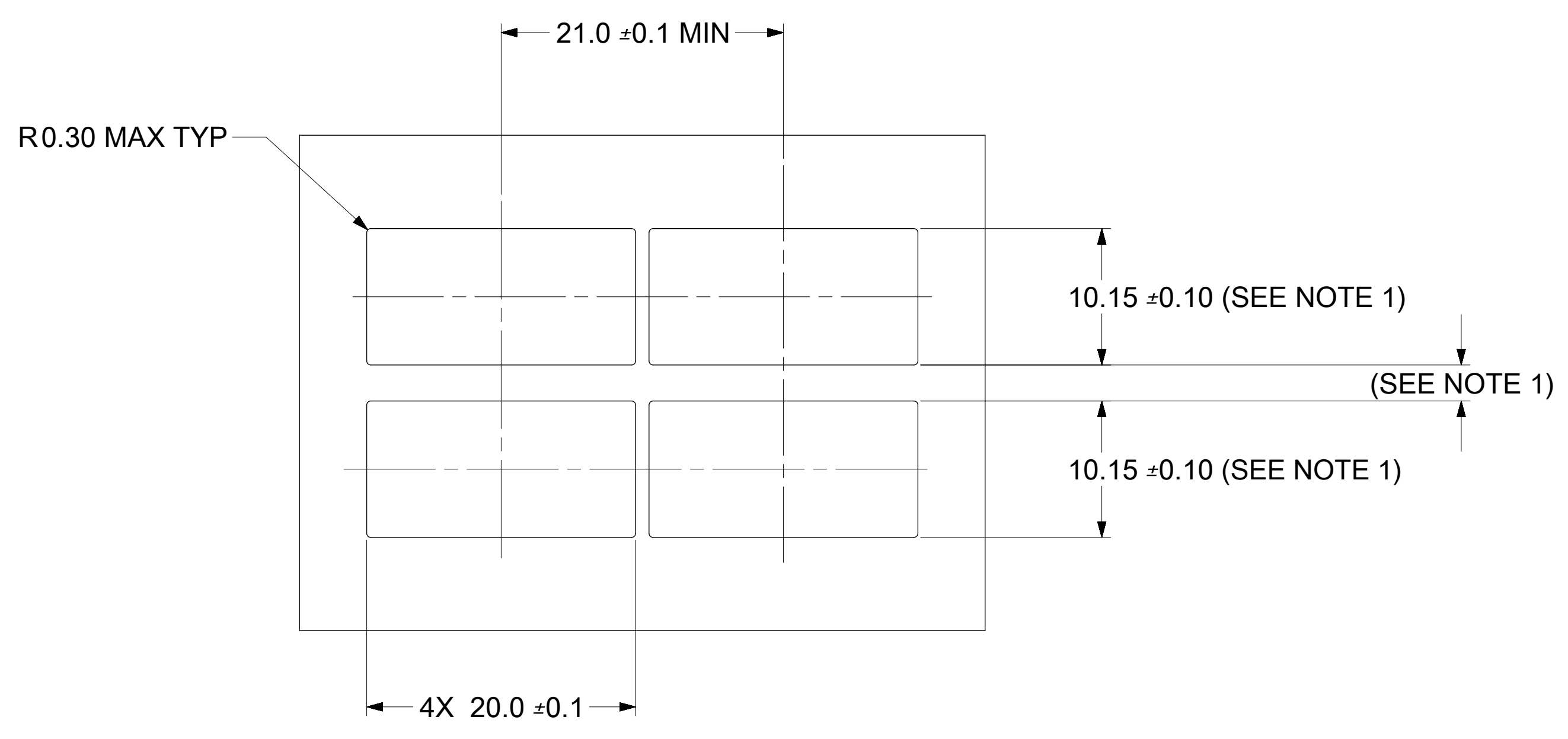
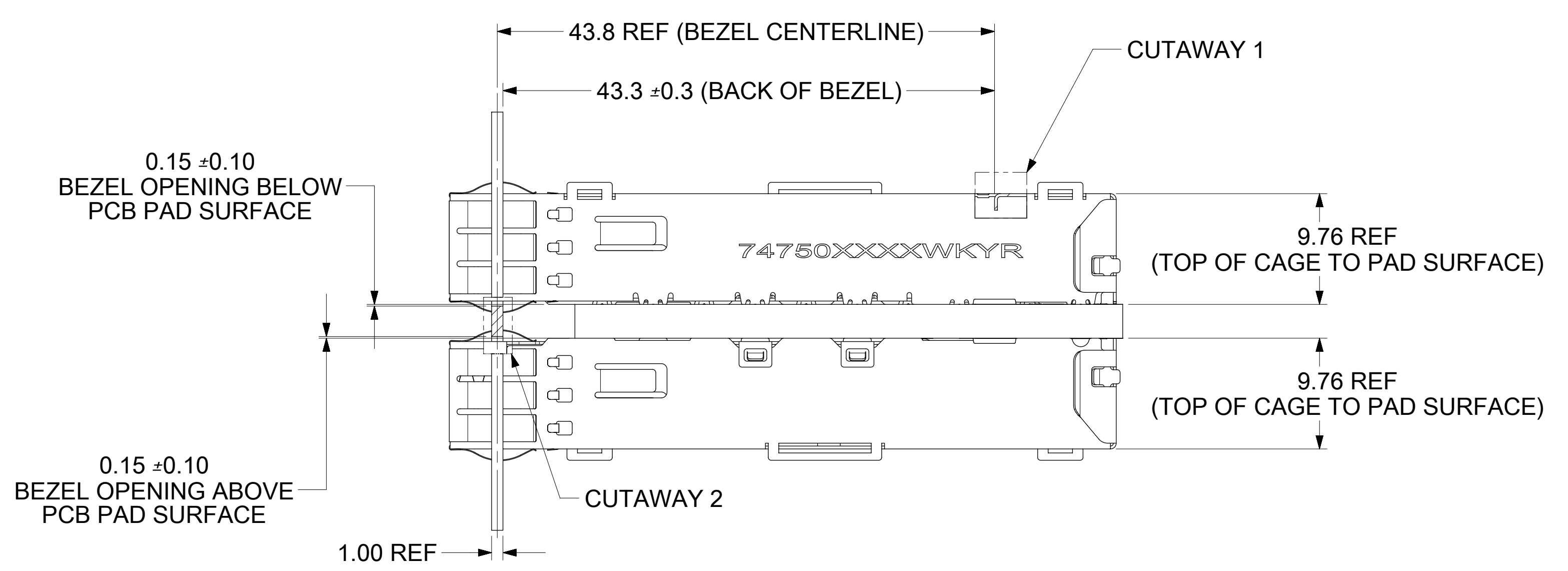
NOTE:
SEE PREVIOUS SHEET FOR
HOST CONNECTOR DETAIL
AND LED LOCATION DETAILS

NOTES:

- DATUM -A- IS TOP SURFACE OF HOST BOARD PER MSA.
- FINISHED HOLE SIZE (AFTER PLATING).
- DATUM -K- IS HOST BOARD THRU HOLE #1 TO ACCEPT CONNECTOR GUIDE POST PER MSA.
- DATUM -L- IS HOST BOARD THRU HOLE #2 TO ACCEPT CONNECTOR GUIDE POST PER MSA.
- BELLY TO BELLY BOARD THICKNESS:
MINIMUM: 3.00 [0.118"] FOR 3.05MM LEGS.
MINIMUM: 2.07 [0.081"] FOR 2.28MM LEGS.
1.90MM AND 2.90MM SOLDER POST LEGS CANNOT BE MOUNTED BELLY TO BELLY

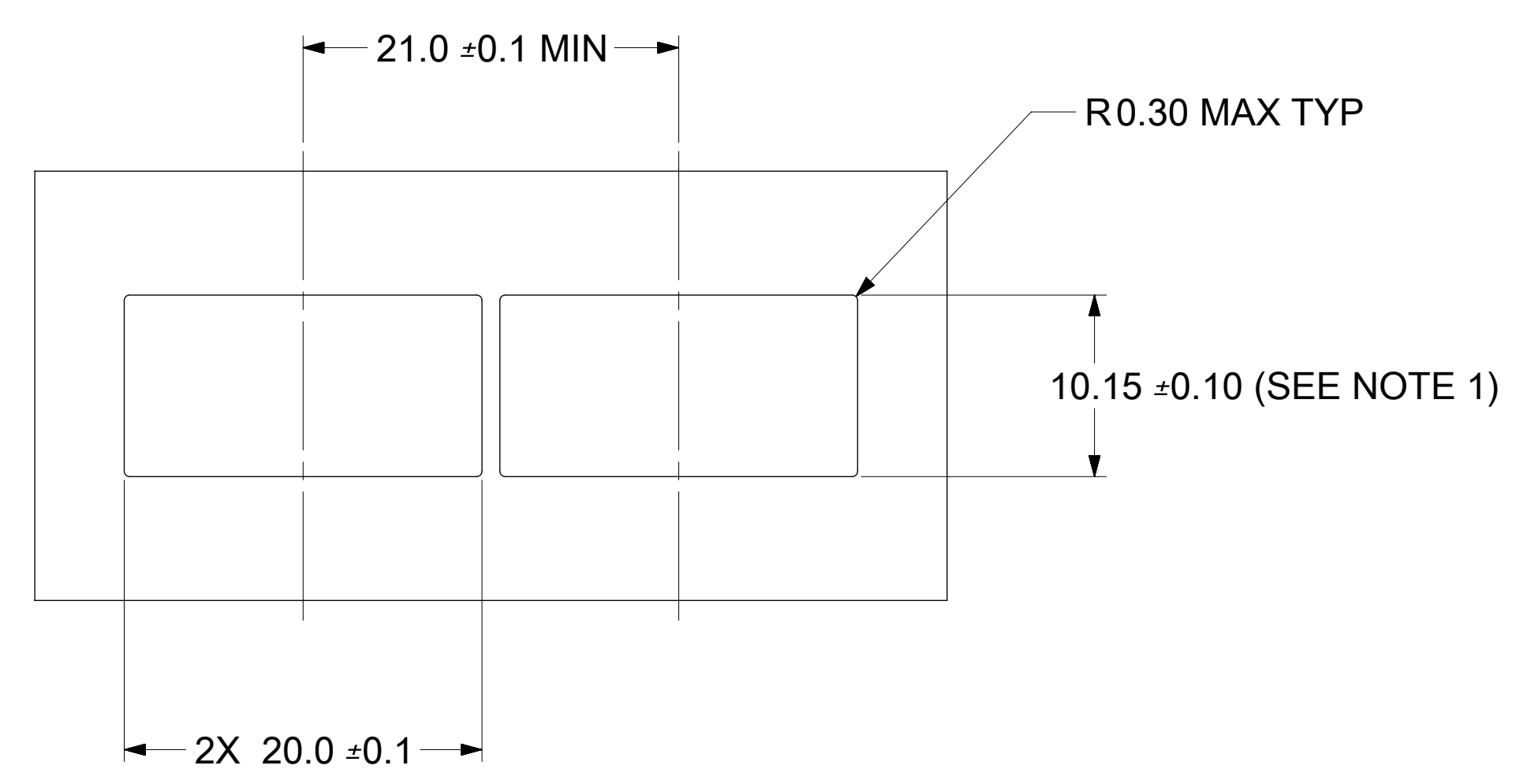
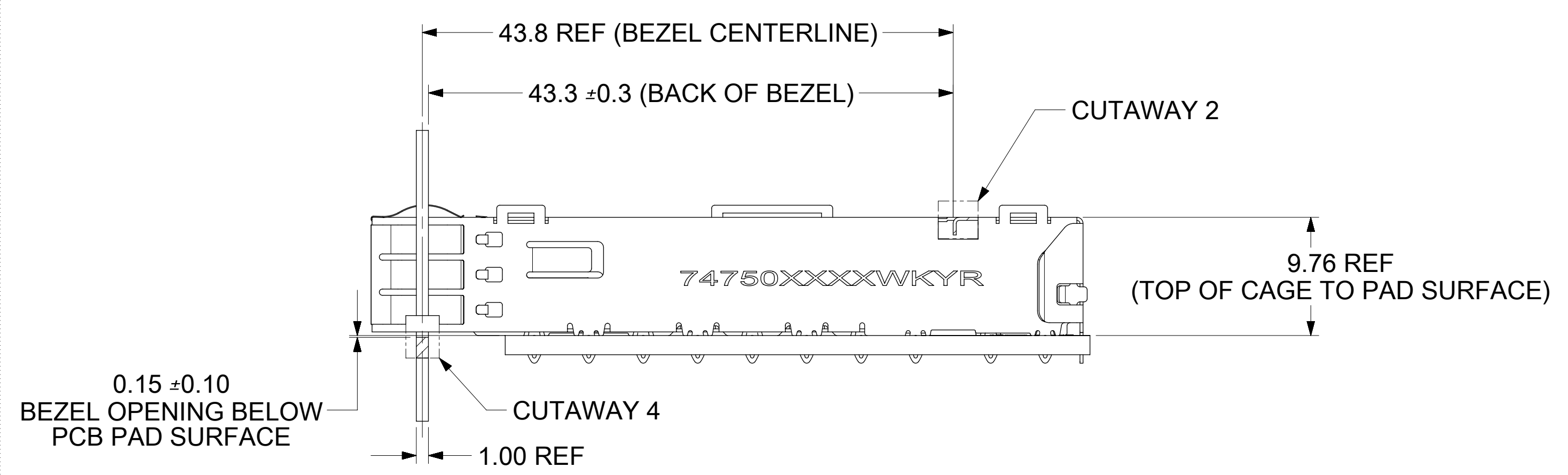
QUALITY SYMBOLS		THIS DRAWING CONTAINS INFORMATION THAT IS PROPRIETARY TO MOLEX ELECTRONIC TECHNOLOGIES, LLC AND SHOULD NOT BE USED WITHOUT WRITTEN PERMISSION		DIMENSION UNITS		SCALE			
▽ = 0	▽ = 0	2017/09/27	2017/09/28	mm		DRWN BY	DATE		
▽ = 0	▽ = 0	DRWN: MKEMPEGOWDA	CHKD: ELIU08	GENERAL TOLERANCES (UNLESS SPECIFIED)		CHKD BY	DATE	PRODUCT CUSTOMER DRAWING	
▽ = 0	▽ = 0	REV: APPR: RCHEN08	2017/09/28	ANGULAR TOL ± 1.0 °		APPR BY	DATE		
▽ = 0	▽ = 0	EC NO: 122627	2017/09/27	4 PLACES ±		DSUN15	2017/06/02	DOCUMENT NUMBER DOC TYPE DOC PART SHEET NUMBER 747500021 PSD ASY 9 OF 12	
▽ = 0	▽ = 0	DRWN: MKEMPEGOWDA	2017/09/28	3 PLACES ±		RCHEN08	2017/06/05		
▽ = 0	▽ = 0	CHKD: ELIU08	2017/09/28	2 PLACES ± 0.13					
▽ = 0	▽ = 0	APP: RCHEN08	2017/09/28	1 PLACE ± 0.25					
▽ = 0	▽ = 0	REV: APPR: RCHEN08	2017/09/28	0 PLACES ±					
▽ = 0	▽ = 0	EC NO: 122627	2017/09/27	DRAFT WHERE APPLICABLE MUST REMAIN WITHIN DIMENSIONS					
▽ = 0	▽ = 0	DRWN: MKEMPEGOWDA	2017/09/28						
▽ = 0	▽ = 0	CHKD: ELIU08	2017/09/28						
▽ = 0	▽ = 0	APP: RCHEN08	2017/09/28						
▽ = 0	▽ = 0	REV: APPR: RCHEN08	2017/09/28						
▽ = 0	▽ = 0	EC NO: 122627	2017/09/27						
▽ = 0	▽ = 0	DRWN: MKEMPEGOWDA	2017/09/28						
▽ = 0	▽ = 0	CHKD: ELIU08	2017/09/28						
▽ = 0	▽ = 0	APP: RCHEN08	2017/09/28						
▽ = 0	▽ = 0	REV: APPR: RCHEN08	2017/09/28						
▽ = 0	▽ = 0	EC NO: 122627	2017/09/27						
▽ = 0	▽ = 0	DRWN: MKEMPEGOWDA	2017/09/28						
▽ = 0	▽ = 0	CHKD: ELIU08	2017/09/28						
▽ = 0	▽ = 0	APP: RCHEN08	2017/09/28						
▽ = 0	▽ = 0	REV: APPR: RCHEN08	2017/09/28						
▽ = 0	▽ = 0	EC NO: 122627	2017/09/27						
▽ = 0	▽ = 0	DRWN: MKEMPEGOWDA	2017/09/28						
▽ = 0	▽ = 0	CHKD: ELIU08	2017/09/28						
▽ = 0	▽ = 0	APP: RCHEN08	2017/09/28						
▽ = 0	▽ = 0	REV: APPR: RCHEN08	2017/09/28						
▽ = 0	▽ = 0	EC NO: 122627	2017/09/27						
▽ = 0	▽ = 0	DRWN: MKEMPEGOWDA	2017/09/28						
▽ = 0	▽ = 0	CHKD: ELIU08	2017/09/28						
▽ = 0	▽ = 0	APP: RCHEN08	2017/09/28						
▽ = 0	▽ = 0	REV: APPR: RCHEN08	2017/09/28						
▽ = 0	▽ = 0	EC NO: 122627	2017/09/27						
▽ = 0	▽ = 0	DRWN: MKEMPEGOWDA	2017/09/28						
▽ = 0	▽ = 0	CHKD: ELIU08	2017/09/28						
▽ = 0	▽ = 0	APP: RCHEN08	2017/09/28						
▽ = 0	▽ = 0	REV: APPR: RCHEN08	2017/09/28						
▽ = 0	▽ = 0	EC NO: 122627	2017/09/27						
▽ = 0	▽ = 0	DRWN: MKEMPEGOWDA	2017/09/28						
▽ = 0	▽ = 0	CHKD: ELIU08	2017/09/28						
▽ = 0	▽ = 0	APP: RCHEN08	2017/09/28						
▽ = 0	▽ = 0	REV: APPR: RCHEN08	2017/09/28						
▽ = 0	▽ = 0	EC NO: 122627	2017/09/27						
▽ = 0	▽ = 0	DRWN: MKEMPEGOWDA	2017/09/28						
▽ = 0	▽ = 0	CHKD: ELIU08	2017/09/28						
▽ = 0	▽ = 0	APP: RCHEN08	2017/09/28						
▽ = 0	▽ = 0	REV: APPR: RCHEN08	2017/09/28						
▽ = 0	▽ = 0	EC NO: 122627	2017/09/27						
▽ = 0	▽ = 0	DRWN: MKEMPEGOWDA	2017/09/28						
▽ = 0	▽ = 0	CHKD: ELIU08	2017/09/28						
▽ = 0	▽ = 0	APP: RCHEN08	2017/09/28						
▽ = 0	▽ = 0	REV: APPR: RCHEN08	2017/09/28						
▽ = 0	▽ = 0	EC NO: 122627	2017/09/27						
▽ = 0	▽ = 0	DRWN: MKEMPEGOWDA	2017/09/28						
▽ = 0	▽ = 0	CHKD: ELIU08	2017/09/28						
▽ = 0	▽ = 0	APP: RCHEN08	2017/09/28						
▽ = 0	▽ = 0	REV: APPR: RCHEN08	2017/09/28						
▽ = 0	▽ = 0	EC NO: 122627	2017/09/27						
▽ = 0	▽ = 0	DRWN: MKEMPEGOWDA	2017/09/28						
▽ = 0	▽ = 0	CHKD: ELIU08	2017/09/28						
▽ = 0	▽ = 0	APP: RCHEN08	2017/09/28						
▽ = 0	▽ = 0	REV: APPR: RCHEN08	2017/09/28						
▽ = 0	▽ = 0	EC NO: 122627	2017/09/27						
▽ = 0	▽ = 0	DRWN: MKEMPEGOWDA	2017/09/28						
▽ = 0	▽ = 0	CHKD: ELIU08	2017/09/28						
▽ = 0	▽ = 0	APP: RCHEN08	2017/09/28						
▽ = 0	▽ = 0	REV: APPR: RCHEN08	2017/09/28						
▽ = 0	▽ = 0	EC NO: 122627	2017/09/27						
▽ = 0	▽ = 0	DRWN: MKEMPEGOWDA	2017/09/28						
▽ = 0	▽ = 0	CHKD: ELIU08	2017/09/28						
▽ = 0	▽ = 0	APP: RCHEN08	2017/09/28						
▽ = 0	▽ = 0	REV: APPR: RCHEN08	2017/09/28						
▽ = 0	▽ = 0	EC NO: 122627	2017/09/27						
▽ = 0	▽ = 0	DRWN: MKEMPEGOWDA	2017/09/28						
▽ = 0	▽ = 0	CHKD: ELIU08	2017/09/28						
▽ = 0	▽ = 0	APP: RCHEN08	2017/09/28						
▽ = 0	▽ = 0	REV: APPR: RCHEN08	2017/09/28						
▽ = 0	▽ = 0	EC NO: 122627	2017/09/27						
▽ = 0	▽ = 0	DRWN: MKEMPEGOWDA	2017/09/28						
▽ = 0	▽ = 0	CHKD: ELIU08	2017/09/28						
▽ = 0	▽ = 0	APP: RCHEN08	2017/09/28						
▽ = 0	▽ = 0	REV: APPR: RCHEN08	2017/09/28						
▽ = 0	▽ = 0	EC NO: 122627	2017/09/27						
▽ = 0	▽ = 0	DRWN: MKEMPEGOWDA	2017/09/28						
▽ = 0	▽ = 0	CHKD: ELIU08	2017/09/28						
▽ = 0	▽ = 0	APP: RCHEN08	2017/09/28						
▽ = 0	▽ = 0	REV: APPR: RCHEN08	2017/09/28						
▽ = 0	▽ = 0	EC NO: 122627	2017/09/27						
▽ = 0	▽ = 0	DRWN: MKEMPEGOWDA	2017/09/28						
▽ = 0	▽ = 0	CHKD: ELIU08	2017/09/28						
▽ = 0	▽ = 0	APP: RCHEN08	2017/09/28						
▽ = 0	▽ = 0	REV: APPR: RCHEN08	2017/09/28						
▽ = 0	▽ = 0	EC NO: 122627	2017/09/27						
▽ = 0	▽ = 0	DRWN: MKEMPEGOWDA	2017/09/28						
▽ = 0	▽ = 0	CHKD: ELIU08	2017/09/28						
▽ = 0	▽ = 0	APP: RCHEN08	2017/09/28						
▽ = 0	▽ = 0	REV: APPR: RCHEN08	2017/09/28						
▽ = 0	▽ = 0	EC NO: 122627	2017/09/27						
▽ = 0	▽ = 0	DRWN: MKEMPEGOWDA	2017/09/28						
▽ = 0	▽ = 0	CHKD: ELIU08	2017/09/28						
▽ = 0	▽ = 0	APP: RCHEN08	2017/09/28						
▽ = 0	▽ = 0	REV: APPR: RCHEN08	2017/09/28						
▽ = 0	▽ = 0	EC NO: 122627	2017/09/27						
▽ = 0	▽ = 0	DRWN: MKEMPEGOWDA	2017/09/28						
▽ = 0	▽ = 0	CHKD: ELIU08	2017/09/28						
▽ = 0	▽ = 0	APP: RCHEN08	2017/09/28						
▽ = 0	▽ = 0	REV: APPR: RCHEN08	2017/09/28						
▽ = 0	▽ = 0	EC NO: 122627	2017/09/27						
▽ = 0	▽ = 0	DRWN: MKEMPEGOWDA	2017/09/28						
▽ = 0	▽ = 0	CHKD: ELIU08	2017/09/28						
▽ = 0	▽ = 0	APP: RCHEN08	2017/09/28						
▽ = 0	▽ = 0	REV: APPR: RCHEN08	2017/09/28						
▽ = 0	▽ = 0	EC NO: 122627	2017/09/27						
▽ = 0	▽ = 0	DRWN: MKEMPEGOWDA	2017/09/28						
▽ = 0	▽ = 0	CHKD: ELIU08	2017/09/28						
▽ = 0	▽ = 0	APP: RCHEN08	2017/09/28						
▽ = 0	▽ = 0	REV: APPR: RCHEN08	2017/09/28						
▽ = 0	▽ = 0	EC NO: 122627	2017/09/27						
▽ = 0	▽ = 0	DRWN: MKEMPEGOWDA	2017/09/28						
▽ = 0	▽ = 0	CHKD: ELIU08	2017/09/28						
▽ = 0	▽ = 0	APP: RCHEN08	2017/09/28						
▽ = 0	▽ = 0	REV: APPR: RCHEN08	2017/09/28						
▽ = 0	▽ = 0	EC NO: 122627	2017/09/27						
▽ = 0	▽ = 0	DRWN: MKEMPEGOWDA	2017/09/28						
▽ = 0	▽ = 0	CHKD: ELIU08	2017/09/28						
▽ = 0	▽ = 0	APP: RCHEN08	2017/09/28						
▽ = 0	▽ = 0	REV: APPR: RCHEN08	2017/09/28						
▽ = 0	▽ = 0	EC NO: 122627	2017/09/27						
▽ = 0	▽ = 0	DRWN: MKEMPEGOWDA	2017/09/28						
▽ = 0	▽ = 0	CHKD: ELIU08	2017/09/28						
▽ = 0	▽ = 0	APP: RCHEN08	2017/09/28						
▽ = 0	▽ = 0	REV							

BOARD POSITION AND BEZEL DIMENSIONS FOR BELLY TO BELLY MOUNTING



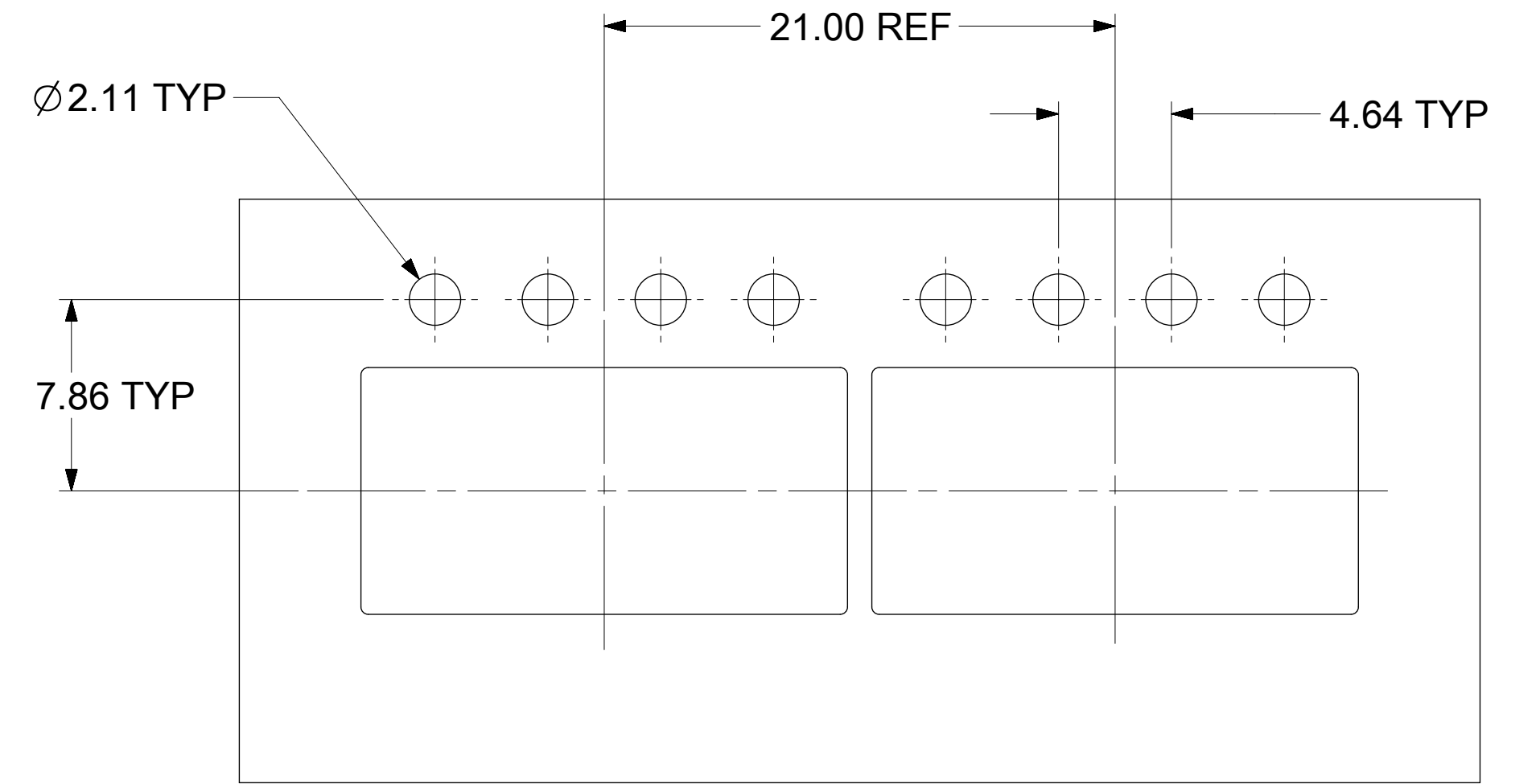
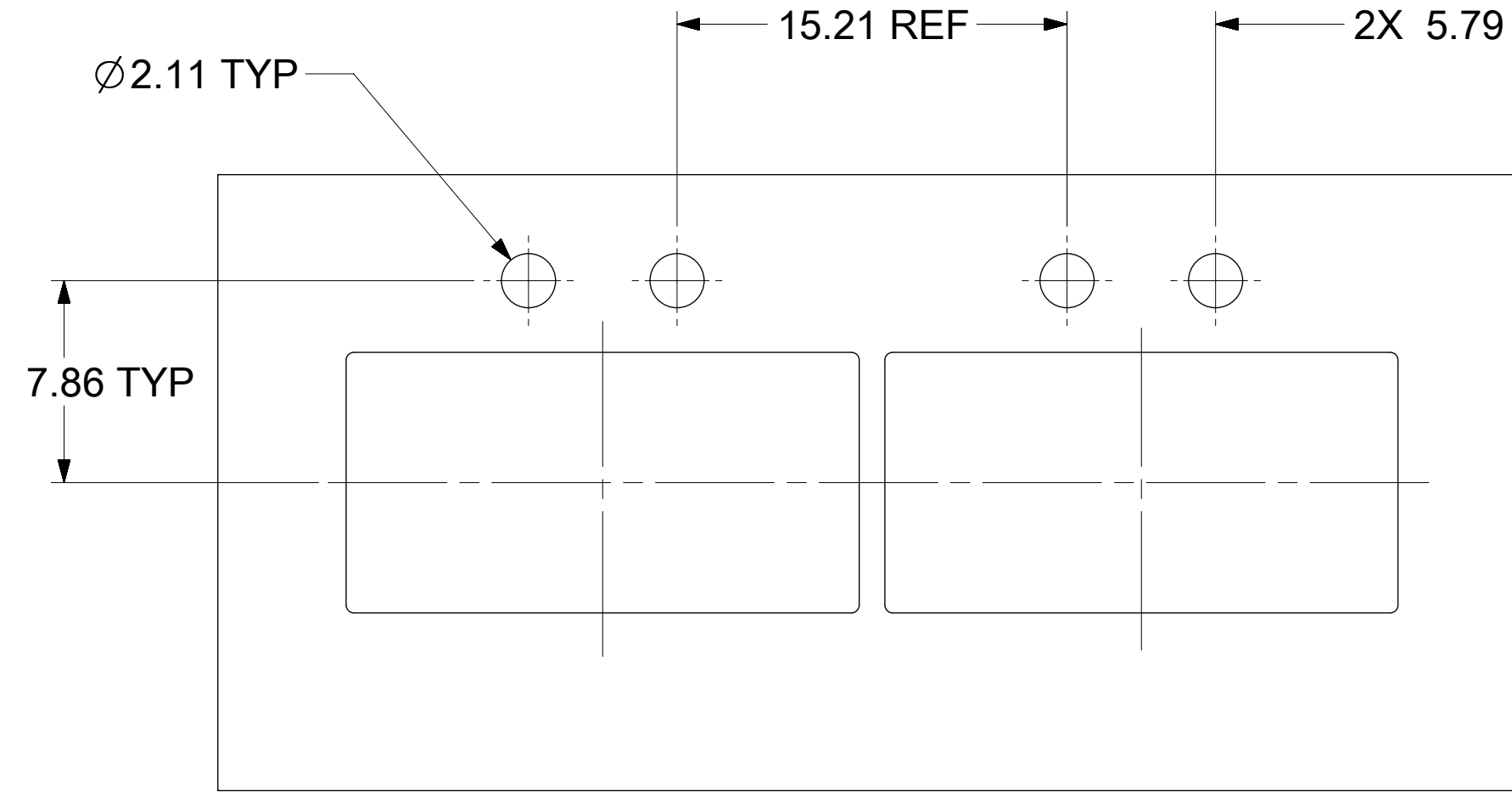
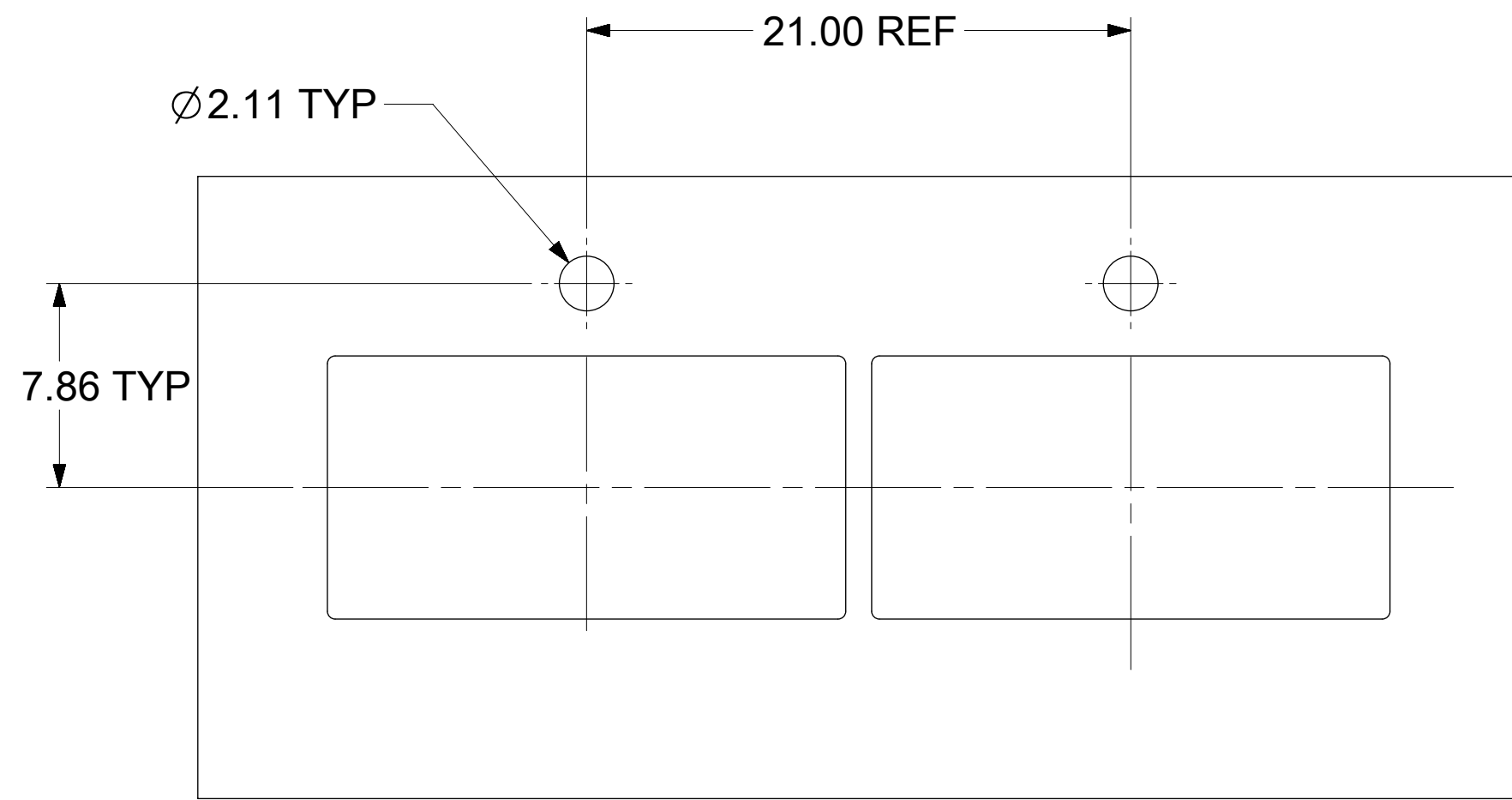
NOTE:
 1. PCB THICKNESS VARIATION MUST BE CONSIDERED WHEN DETERMINING BEZEL OPENING, SIZE, AND LOCATION.
 2. SEE QSFP MSA SPECIFICATION FOR BEZEL LOCATION TOLERANCE.

BOARD POSITION AND BEZEL DIMENSIONS FOR SINGLE SIDE MOUNTING



THIS DRAWING CONTAINS INFORMATION THAT IS PROPRIETARY TO MOLEX ELECTRONIC TECHNOLOGIES, LLC AND SHOULD NOT BE USED WITHOUT WRITTEN PERMISSION											
QUALITY SYMBOLS	GENERAL TOLERANCES (UNLESS SPECIFIED)				DIMENSION UNITS	SCALE					
	ANGULAR TOL ± 1.0 °				mm						
▽ = 0	SEE REVISION TABLE EC NO: 122627 DRWN: MKEMPEGOWDA CHKD: ELIU08 REV APPR: RCHEN08	4 PLACES ±	DRWN BY		DATE	QSFP+ 1X1 CAGE ASSEMBLY WITH SPRING FINGER TYPE PRODUCT CUSTOMER DRAWING SERIES: 74750 MATERIAL NUMBER: SEE SHEET 5, 6 & 7 CUSTOMER: GENERAL MARKET DOCUMENT NUMBER: 747500021 DOC TYPE: PSD DOC PART: ASY SHEET NUMBER: 10 OF 12					
▽ = 0		3 PLACES ±	SJKG		2016/06/23						
▽ = 0		2 PLACES ± 0.13	CHKD BY		DATE						
▽ = 0		1 PLACE ± 0.25	DSUN15		2017/06/02						
▽ = 0		0 PLACES ±	APPR BY		DATE						
▽ = 0		DRAFT WHERE APPLICABLE MUST REMAIN WITHIN DIMENSIONS		RCHEN08							2017/06/05
▽ = 0			DRAWING SIZE	THIRD ANGLE PROJECTION							
▽ = 0			D								

LIGHT PIPE CUTOUT DIMENSIONS



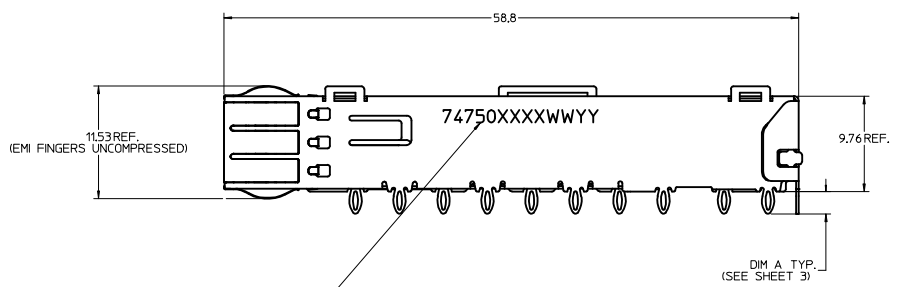
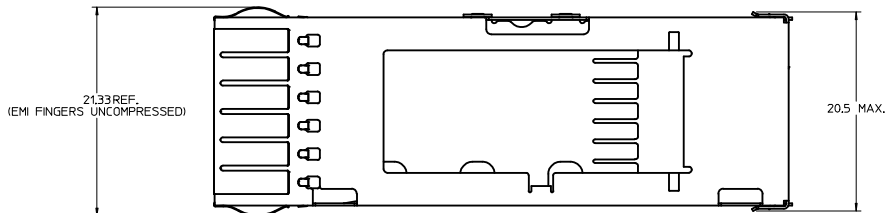
QUALITY SYMBOLS = 0 = 0 = 0 = 0 = 0 = 0 = 0 = 0	THIS DRAWING CONTAINS INFORMATION THAT IS PROPRIETARY TO MOLEX ELECTRONIC TECHNOLOGIES, LLC AND SHOULD NOT BE USED WITHOUT WRITTEN PERMISSION									
	SEE REVISION TABLE		GENERAL TOLERANCES (UNLESS SPECIFIED)		DIMENSION UNITS		SCALE			
	EC NO: 122627		ANGULAR TOL ± 1.0 °		mm					
	DRWN: MKEMPEGOWDA		4 PLACES ±		DRWN BY		DATE		QSFP+ 1X1 CAGE ASSEMBLY WITH SPRING FINGER TYPE	
	CHKD: ELIU08		3 PLACES ±		SJKG		2016/06/23			
	REV APPR: RCHEN08		2 PLACES ± 0.13		CHKD BY		DATE		PRODUCT CUSTOMER DRAWING	
			1 PLACE ± 0.25		DSUN15		2017/06/02			
			0 PLACES ±		APPR BY		DATE		SERIES MATERIAL NUMBER CUSTOMER 74750 SEE SHEET 5, 6 & 7 GENERAL MARKET	
			DRAFT WHERE APPLICABLE MUST REMAIN WITHIN DIMENSIONS		RCHEN08		2017/06/05			
					DRAWING SIZE		THIRD ANGLE PROJECTION		DOCUMENT NUMBER DOC TYPE DOC PART SHEET NUMBER 747500021 PSD ASY 11 OF 12	
				D						

REV	DATE	DESCRIPTION
A	2007/07/23	1) INITAL RELEASE
B	2007/08/06	1)CHANGED ALL TANGENT LINES FROM DASHED LINES TO SOLID LINES
C	2007/08/10	1) ADDED COMPONENT P/N COLUMN TO TABLE 2) ADDED "COMPONENT" TO NOTE IN BOTTOM VIEW ON SHEET 1 3) CHANGED TEXT IN MATERIAL NO. SECTION OF TITLE BLOCK TO READ "SEE TABLE"
D	2008/07/10	1) REMOVED COMMENTS FROM TABLE ON SHEET 1 2) ADDED "HOLES OPTIONAL" NOTE TO PCB LAYOUT ON SHEET 2 AND SHEET 3 3) ADDED 747500024 TO TABLE ON SHEET 1 AS WELL AS ISO VIEW 4) UPDATED "COMPONENT PART NUMBER AND DATE CODE" NOTE ON SHEET 1
E	2008/12/16	1) 20.4 DIMENSION WAS 20.38 REF. 2) 58.8 DIMENSION WAS 58.80 REF. 3) 2.28 TYP. DIMENSION WAS 2.28 REF. 4) 15.4 DIMENSION WAS 15.40 REF.
F	2009/04/13	1) REVISED COMPONENT P/N FOR MOLEX P/N 747500024 (CHANGED FROM 747540104 TO 747500104)
G	2010/10/29	1) 20.5 MAX DIMENSION WAS 20.4 2) 19.2 MAX DIMENSION WAS 16.2 MAX
H	2011/04/05	1) ADDED PRINTED DATE CODE TO LEFT SIDE OF CAGE AND ASSOCIATED NOTES. 2) ADDED CUTAWAY 1 AND CRITICAL TO FUNCTION DIMENSION 29.88 <input checked="" type="checkbox"/> 3) REMOVED 74750 FROM BOTTOM OF CAGE, SHEET 1. 4) UPDATED RoHS NOTE (NOTE 5) TO "LEAD FREE, NO RoHS EXEMPTIONS" ON SHEET 1. 5) ADDED END VIEW, SHEET 1.
I	2012/04/13	1) ADDED 747500012 TO P/N TABLE, SHEET 1. 2) UPDATED BELLY-TO-BELLY CAGE VIEW, SHEET 3. 3) ADDED BELLY-TO-BELLY BEZEL AND DIMENSIONS, SHEET 3.
J	2013/01/10	1) ADDED 747500057 AND 747500058 INTO P/N TABLE, SHEET 3. 2) REARRANGE EACH SHEET
K	2013/04/09	1) ADDED P/N 747500062 TO CHART ON PAGE 3. 2) UPDATED DIMENSION 9.77 TO 9.76 BY CORRECTING PLACEMENT ON VIEWS SHEET 6.
L	2014/12/11	1) ADDED P/N 747501586 AND ISO VIEW TO SHEET 3.
M	2017/05/31	REMASTERED FROM SD-74750-0021 REV_L TO 747500021 PDD ASY. COMBINED SD-74750-0070, 0092, 1100, & 1140 WITH 747500021 PDD ASY. SHEET 6: G06: ADDED NEW FG 747500059 TO P/N TABLE
M1	2017/06/08	CHANGED THE DOCUMENT TYPE FROM RSD TO SD
N	2017/09/27	SHEET 6: G06: ADDED NEW P/N 747500063 TO P/N TABLE

QUALITY SYMBOLS 		THIS DRAWING CONTAINS INFORMATION THAT IS PROPRIETARY TO MOLEX ELECTRONIC TECHNOLOGIES, LLC AND SHOULD NOT BE USED WITHOUT WRITTEN PERMISSION		DIMENSION UNITS mm		SCALE 			
SEE REVISION TABLE EC NO: 122627 DRWN: MKEMPEGOWDA CHKD: ELIU08 REV APPR: RCHEN08		GENERAL TOLERANCES (UNLESS SPECIFIED) ANGULAR TOL ± 1.0 ° 4 PLACES ± 3 PLACES ± 2 PLACES ± 0.13 1 PLACE ± 0.25 0 PLACES ± DRAFT WHERE APPLICABLE MUST REMAIN WITHIN DIMENSIONS		DRWN BY SJKG		DATE 2016/06/23			
				CHKD BY DSUN15		DATE 2017/06/02		PRODUCT CUSTOMER DRAWING	
				APPR BY RCHEN08		DATE 2017/06/05			
				DRAWING SIZE D		THIRD ANGLE PROJECTION 		MATERIAL NUMBER SEE SHEET 5, 6 & 7	
								CUSTOMER GENERAL MARKET	
								DOCUMENT NUMBER 747500021	
								DOC TYPE PSD	
								DOC PART ASY	
								SHEET NUMBER 12 OF 12	

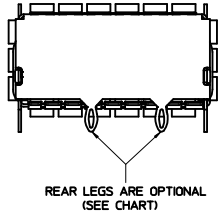
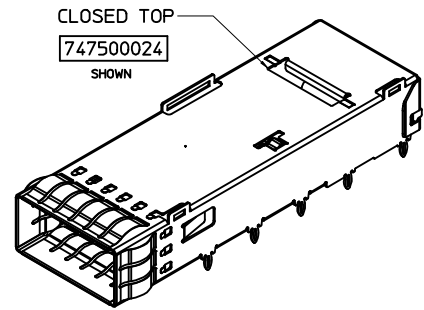
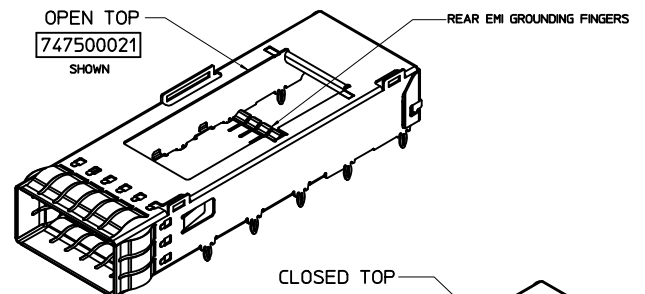
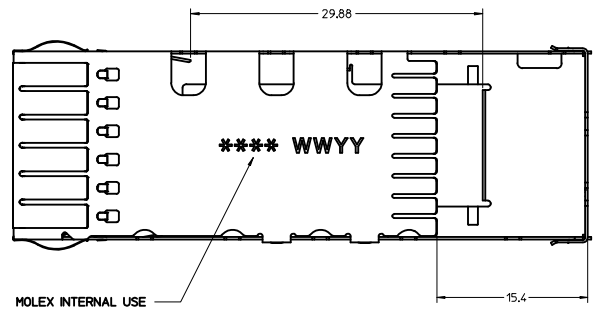
CAGE DETAILS

(APPLIES TO ALL CAGES IN THIS DRAWING)



PART NO. AND WEEK/YEAR DATE CODE TO BE PRINTED ON SIDE OF COMPLETED CAGE ASSEMBLY AS SHOWN.

WEEK/YEAR DATE CODE TABLE	
WW	01 THRU 52 EXAMPLE: 01 = FIRST WEEK OF YEAR 52 = LAST WEEK OF YEAR
YY	11, 12, 13 ETC. EXAMPLE: YEAR 2013 = 13

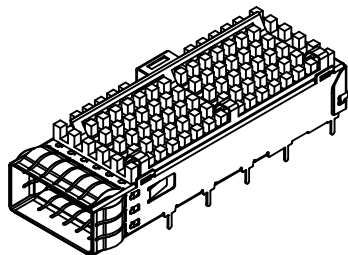
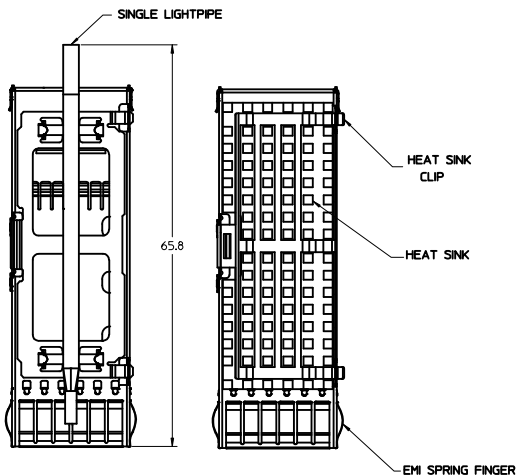


NOTES:

- PRESS FIT LEGS 2.28 / 3.05 mm LONG
- SOLDER POST LEGS 1.90 / 2.90 mm LONG
- SINGLE SIDED BOARD THICKNESS
NOMINAL: 1.60
MINIMUM: 1.44
BELLY TO BELLY BOARD THICKNESS
NOMINAL: 2.30
MINIMUM: 2.07
- MATERIAL: COPPER ALLOY (PLATED PRIOR TO CUTTING AND FORMING)
CAGE: 0.25 mm THICK COPPER ALLOY, NICKEL PLATED OR TIN
SPRING FINGER: 0.08 mm THICK COPPER ALLOY, NICKEL PLATED
HEAT SINK CLIP: STAINLESS STEEL
LIGHT PIPES: POLYCARBONATE (UL 94-V0 RATED)
HEATSINKS: ANNOXIDIZED ALUMINUM
- REFERENCE DOCUMENTS: PRODUCT SPECIFICATION: QSFP MSA
- CUSTOM HEATSHINKS AVAILABLE UPON REQUEST
- QSFP+ ASSEMBLES ALSO AVAILABLE IN 1X2 (74767 SERIES), 1X3 (74768 SERIES), 1X4 (74769 SERIES) AND 1X6 (74771 SERIES).
- PACKAGED IN TRAY.
- NO RoHS EXEMPTIONS.

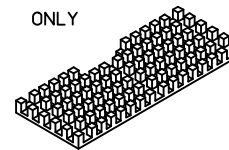
SEE REVISION SHEET EC NO: CPG2015-1999 DRAWN: ERWIN 2014/10/13 CHECKED: GABRIELLA 2014/10/13 APPROVED: BREED 2014/10/17 REV DESCRIPTION	QUALITY SYMBOLS ∇=0 ∇=0 ∇=0		GENERAL TOLERANCES (UNLESS SPECIFIED) mm INCH 4 PLACES ± --- ± --- 3 PLACES ± --- ± --- 2 PLACES ± 0.13 ± --- 1 PLACE ± 0.25 ± --- 0 PLACE ± --- ± --- ANGULAR ± 1 ° DRAFT WHERE APPLICABLE MUST REMAIN WITHIN DIMENSIONS		DIMENSION STYLE MM ONLY DRAWN BY DATE CHIRSCHY 2007/07/23 CHECKED BY DATE BRUSSELL 2007/07/23 APPROVED BY DATE RMAHMOOD 2010/11/01 MATERIAL NO. SEE SHEET 3 DOCUMENT NO. SD-74750-0021		SCALE 4:1 DESIGN UNITS METRIC THIRD ANGLE PROJECTION QSFP+ CAGE ASSEMBLY WITH SPRING FINGERS molex SHEET NO. 1 OF 8	
	THIS DRAWING CONTAINS INFORMATION THAT IS PROPRIETARY TO MOLEX INCORPORATED AND SHOULD NOT BE USED WITHOUT WRITTEN PERMISSION							
	SIZE D							
	DRAWN BY DATE CHIRSCHY 2007/07/23 CHECKED BY DATE BRUSSELL 2007/07/23 APPROVED BY DATE RMAHMOOD 2010/11/01 MATERIAL NO. SEE SHEET 3 DOCUMENT NO. SD-74750-0021 SHEET NO. 1 OF 8							

CAGE ASSEMBLY OPTIONS

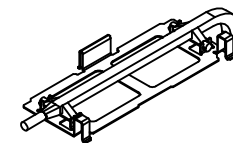


HEATSHINK AND LIGHT PIPE OPTIONS

HEAT SINK ONLY

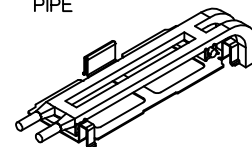


SINGLE LIGHT PIPE

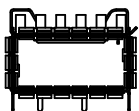


MOLEX P/N: 747500030

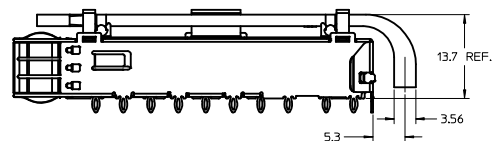
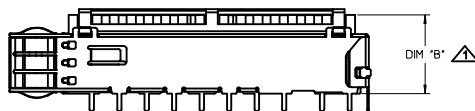
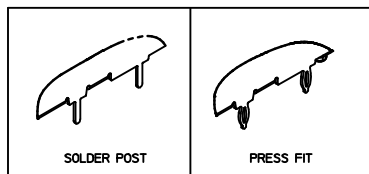
DUAL LIGHT PIPE



MOLEX P/N: 747500031



LEG TYPE OPTIONS

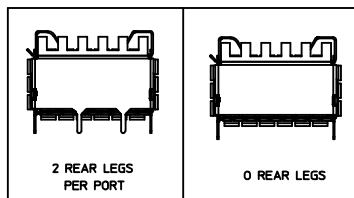


HEATSINK HEIGHT OPTIONS

OVERALL HEATSINK HEIGHT	DIM B	TOL
PCI	13.7	+0.25
SAN	16.0	-0.73
NET	23.0	

HEIGHT OF HEATSINK WITH MODULE INSERTED.
DIMENSION MAY BE LESS DUE TO MODULE AND HEATSINK VARIATIONS.

REAR LEG OPTIONS



SEE REVISION SHEET EC NO: CPG2015-1999 DRAWN: ERWIN CHKD: GARBELLA APP: BREED	DESCRIPTION 2014/10/13 2014/10/13 2014/10/17	QUALITY SYMBOLS	GENERAL TOLERANCES (UNLESS SPECIFIED)	DIMENSION STYLE	SCALE	DESIGN UNITS	THIRD ANGLE PROJECTION
		<p>▽=0 4 PLACES ± --- ± ---</p> <p>▽=0 3 PLACES ± --- ± ---</p> <p>▽=0 2 PLACES ± 0.13 ± ---</p> <p>▽=0 1 PLACE ± 0.25 ± ---</p> <p>▽=0 0 PLACE ± --- ± ---</p>	<p>mm</p> <p>INCH</p>	MM ONLY	2.5:1	METRIC	
			ANGULAR ± 1 °	DRAWN BY DATE		TITLE	
			DRAFT WHERE APPLICABLE MUST REMAIN WITHIN DIMENSIONS	DRAWN BY DATE		TITLE	
				CHECKED BY DATE		TITLE	
				APPROVED BY DATE		TITLE	
				MATERIAL NO.		DOCUMENT NO.	
				SEE SHEET 3		SD-74750-0021	
				SIZE		SHEET NO.	
				D THIS DRAWING CONTAINS INFORMATION THAT IS PROPRIETARY TO MOLEX INCORPORATED AND SHOULD NOT BE USED WITHOUT WRITTEN PERMISSION		2 OF 8	

QSFP+ CAGE ASSEMBLY WITH SPRING FINGERS

molex

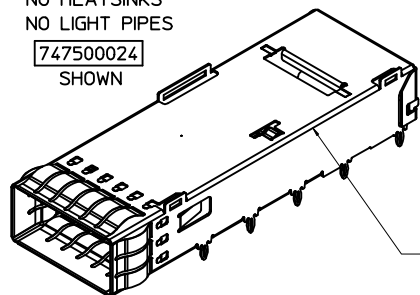
SD-74750-0021

SHEET NO.
2 OF 8

PART NUMBER SELECTION

NO HEATSINKS
NO LIGHT PIPES

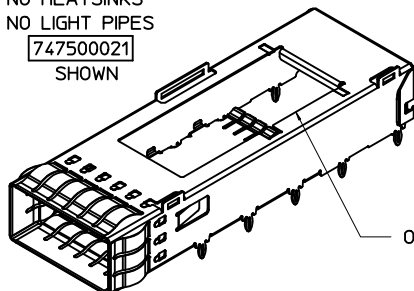
747500024
SHOWN



CLOSED TOP

NO HEATSINKS
NO LIGHT PIPES

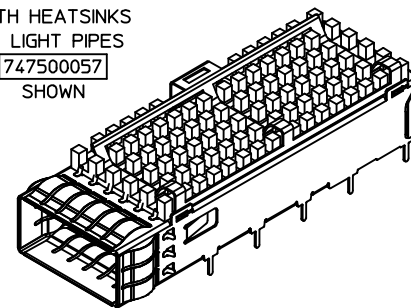
747500021
SHOWN



OPEN TOP

WITH HEATSINKS
NO LIGHT PIPES

747500057
SHOWN



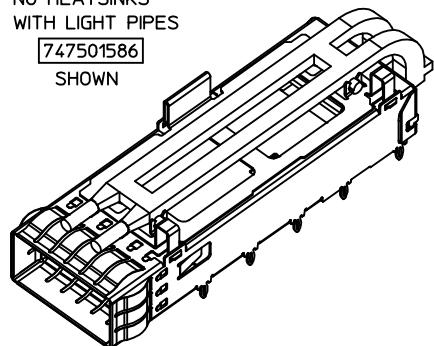
MOLEX P/N		# OF REAR LEGS PER PORT	DIM A	PLATING
LEG TYPE PRESS FIT	LEG TYPE SOLDER POST			
747500024	---	2	2.28	NICKEL
---	747500051	2	1.9	NICKEL
---	747500053	2	1.9	MATTE TIN
---	747500056	2	1.9	BRIGHT TIN

MOLEX P/N		# OF REAR LEGS PER PORT	DIM A	PLATING
LEG TYPE PRESS FIT	LEG TYPE SOLDER POST			
747500012	---	2	3.05	NICKEL
747500021	---	2	2.28	NICKEL
747500023	---	0	2.28	NICKEL
---	747500058	2	2.90	NICKEL
---	747500062 *	2	2.90	NICKEL

MOLEX P/N		# OF REAR LEGS PER PORT	DIM A	DIM B	PLATING
LEG TYPE PRESS FIT	LEG TYPE SOLDER POST				
---	747500057	2	2.9	13.7	NICKEL
747500040	---	2	2.28	16.0	NICKEL
747500042	---	0	2.28	16.0	NICKEL
747500044	---	2	2.28	13.7	NICKEL
747500046	---	2	2.28	23.0	NICKEL

NO HEATSINKS
WITH LIGHT PIPES

747501586
SHOWN



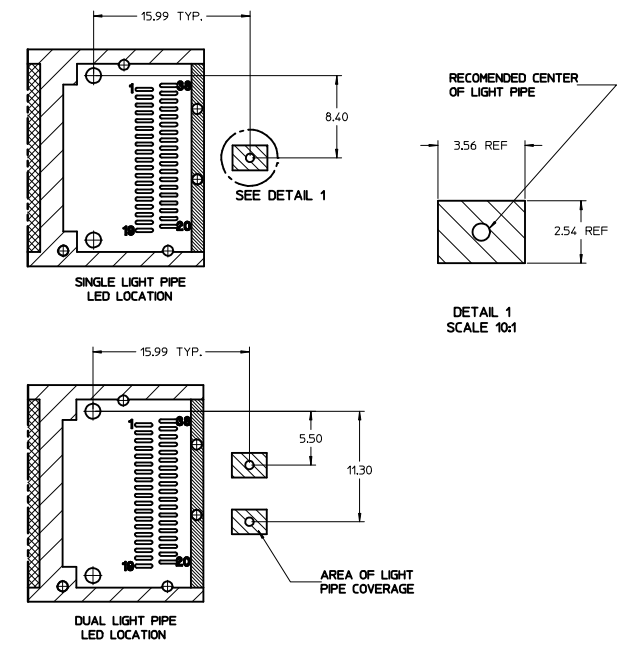
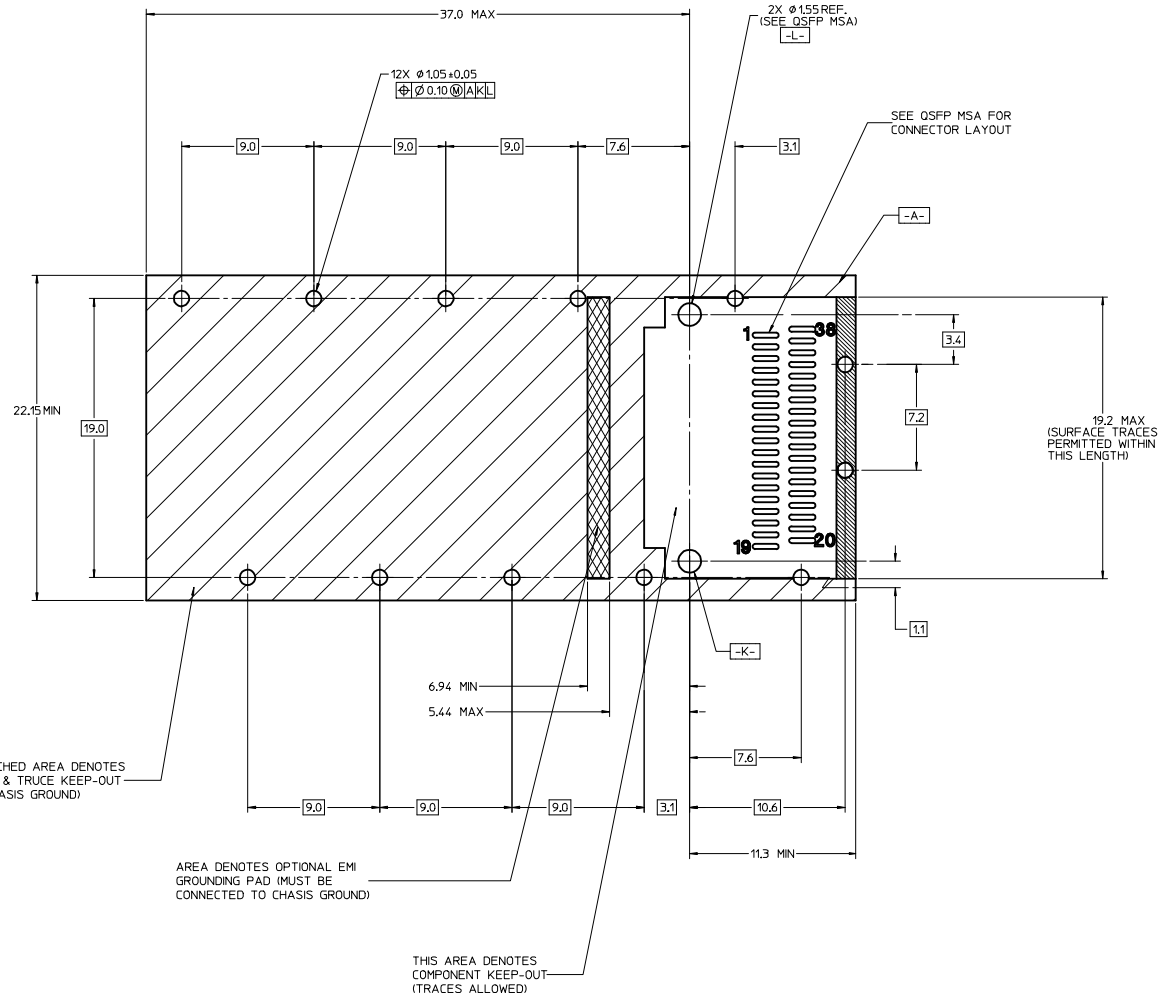
MOLEX ASSEMBLY P/N	MOLEX P/N		LIGHT PIPE ASSEMBLY P/N	#OF REAR LEGS PER PORT	DIM A	PLATING
	LEG TYPE PRESS FIT	LEG TYPE SOLDER POST				
747501586	747500024	---	747500031	2	2.28	NICKEL

* HEATSINK/LIGHT PIPE CLIP FEATURE REMOVED.

SEE REVISION SHEET IEC NO. CPG2015-1999 DRAWN: LERMIN 2014/10/13 CHECKED: CHYK-GARDELLA 2014/10/13 APPR: BREED 2014/10/17 REV: DESCRIPTION	QUALITY SYMBOLS	GENERAL TOLERANCES (UNLESS SPECIFIED)	DIMENSION STYLE	SCALE	DESIGN UNITS	THIRD ANGLE PROJECTION
	▽=0	4 PLACES ± mm ± INCH	MM ONLY	3:1	METRIC	☉
	▽=0	3 PLACES ± 0.13 ± ---	DRAWN BY DATE	DATE	TITLE	
	▽=0	2 PLACES ± 0.25 ± ---	CHIRSCHY 2007/07/23	2007/07/23	QSFP+ CAGE ASSEMBLY WITH SPRING FINGERS	
	ANGULAR ± 1°	DRAFT WHERE APPLICABLE MUST REMAIN WITHIN DIMENSIONS	APPROVED BY DATE	MATERIAL NO.		DOCUMENT NO.
			RMAMMOOD 2010/11/01	SEE SHEET 3		SD-74750-0021
				SHEET NO. 3 OF 8		
				THIS DRAWING CONTAINS INFORMATION THAT IS PROPRIETARY TO MOLEX INCORPORATED AND SHOULD NOT BE USED WITHOUT WRITTEN PERMISSION		

PCB LAYOUT FOR SINGLE SIDED APPLICATIONS

FOR CAGE ASSEMBLIES WITH LIGHT PIPES

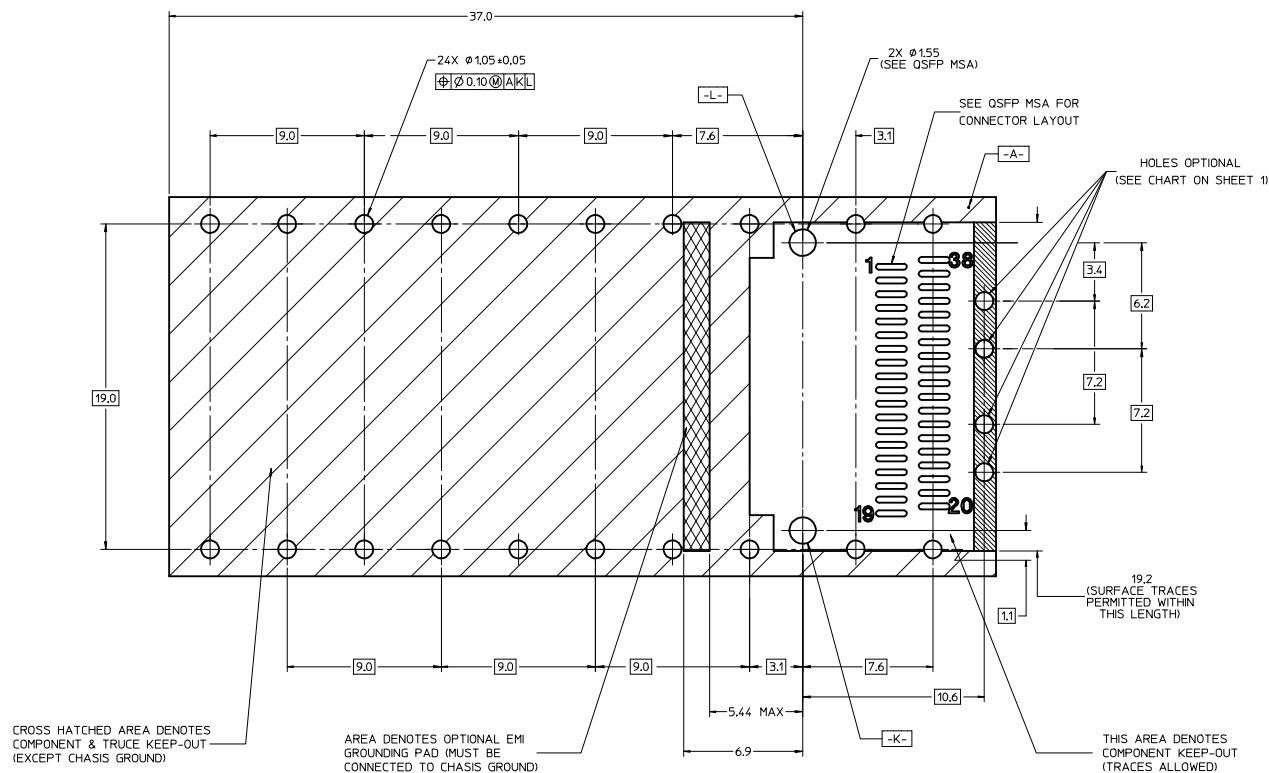


NOTES:

1. DATUM -A- IS TOP SURFACE OF HOST BOARD PER MSA
2. FINISHED HOLE SIZE (AFTER PLATING)
3. DATUM -K- IS HOST BOARD THRU HOLE #1 TO ACCEPT CONNECTOR GUIDE POST PER MSA
4. DATUM -L- IS HOST BOARD THRU HOLE #2 TO ACCEPT CONNECTOR GUIDE POST PER MSA

SEE REVISION SHEET EC NO: CPG2015-1999 DRAWN BY: LERMIN CHYKOBARDILLA 2014/10/13 APPROVED BY: BREED 2014/10/17	QUALITY SYMBOLS	GENERAL TOLERANCES (UNLESS SPECIFIED)	DIMENSION STYLE	SCALE	DESIGN UNITS	THIRD ANGLE PROJECTION	
	∇=0 ∇=0 ∇=0	mm INCH 4 PLACES ± --- ± --- 3 PLACES ± --- ± --- 2 PLACES ± 0.13 ± --- 1 PLACE ± 0.25 ± --- 0 PLACE ± --- ± ---	MM ONLY	1:1	METRIC	CHIRSCY 2007/07/23 BRUSSELL 2007/07/23 MAHMOOD 2010/11/01	TITLE QSFP+ CAGE ASSEMBLY WITH SPRING FINGERS
	ANGULAR ± 1 ° DRAFT WHERE APPLICABLE MUST REMAIN WITHIN DIMENSIONS	MATERIAL NO. SEE SHEET 3	DOCUMENT NO. SD-74750-0021	SHEET NO. 4 OF 8			
	THIS DRAWING CONTAINS INFORMATION THAT IS PROPRIETARY TO MOLEX INCORPORATED AND SHOULD NOT BE USED WITHOUT WRITTEN PERMISSION						

PCB LAYOUT FOR BELLY-TO-BELLY APPLICATIONS



NOTE:
FOR RECOMENDED CENTER
OF LIGHT PIPES,
SEE SHEET 4

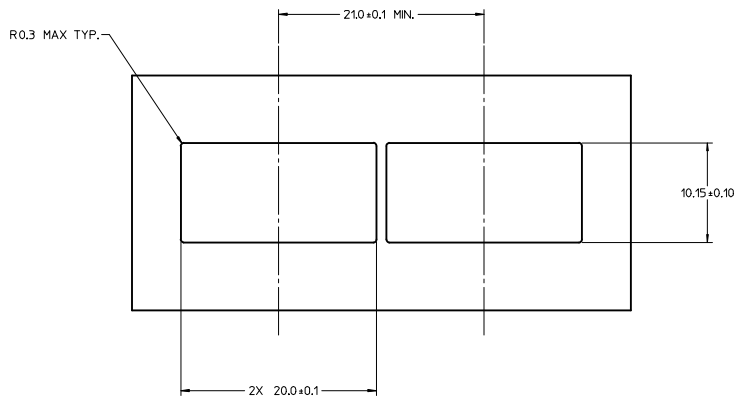
NOTES:

1. DATUM -A- IS TOP SURFACE OF HOST BOARD PER MSA.
2. FINISHED HOLE SIZE (AFTER PLATING).
3. DATUM -K- IS HOST BOARD THRU HOLE #1 TO ACCEPT CONNECTOR GUIDE POST PER MSA.
4. DATUM -L- IS HOST BOARD THRU HOLE #2 TO ACCEPT CONNECTOR GUIDE POST PER MSA.

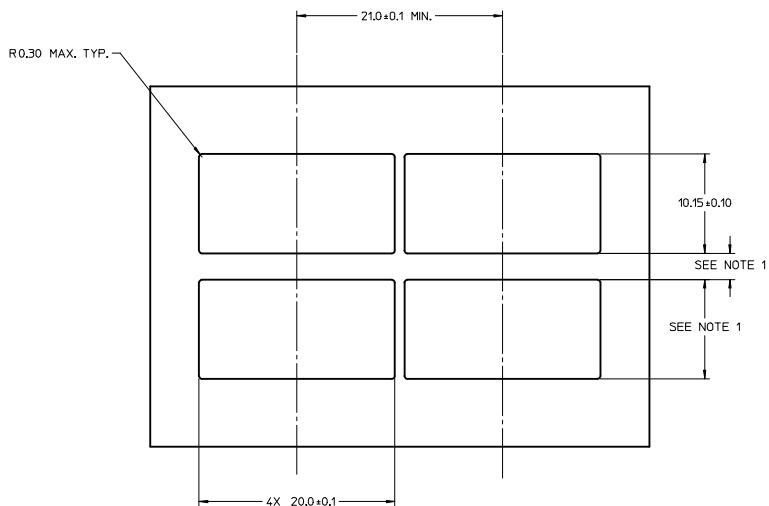
SEE REVISION SHEET EC NO: CPG2015-1999 DRAWN BY: ERWIN CHKD BY: GABRIELLA APPR: BREED DATE: 2014/10/13 DATE: 2014/10/13 DATE: 2014/10/17	QUALITY SYMBOLS ∇=0 ∇=0 ∇=0	GENERAL TOLERANCES (UNLESS SPECIFIED)		DIMENSION STYLE MM ONLY	SCALE 1:1	DESIGN UNITS METRIC	THIRD ANGLE PROJECTION		
		4 PLACES ± 0.13 ± 0.13 ± 0.13 ± 0.13	3 PLACES ± 0.13 ± 0.13 ± 0.13	2 PLACES ± 0.25 ± 0.25	1 PLACE ± 0.25 ± 0.25	0 PLACE ± 0.25 ± 0.25	DRAWN BY: CHIRSCHY DATE: 2007/07/23 CHECKED BY: BRUSSELL DATE: 2007/07/23 APPROVED BY: RMAHMOOD DATE: 2010/11/01		TITLE QSFP+ CAGE ASSEMBLY WITH SPRING FINGERS
		ANGULAR ± 1 °		DRAFT WHERE APPLICABLE MUST REMAIN WITHIN DIMENSIONS		MATERIAL NO.		DOCUMENT NO.	
		SEE SHEET 3		SD-74750-0021		SHEET NO. 5 OF 8			

THIS DRAWING CONTAINS INFORMATION THAT IS PROPRIETARY TO MOLEX INCORPORATED AND SHOULD NOT BE USED WITHOUT WRITTEN PERMISSION

BEZEL AND BOARD POSITION DIMENSIONS
FOR SINGLE SIDE MOUNTING



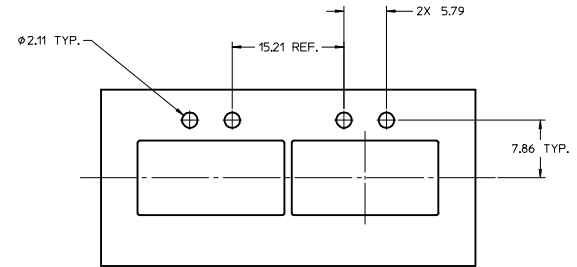
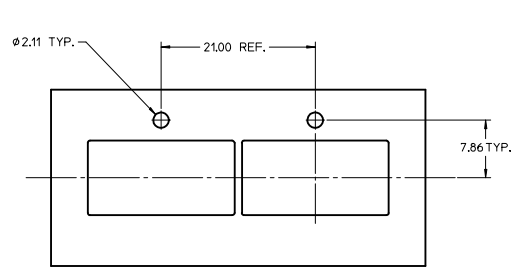
BEZEL AND BOARD POSITION DIMENSIONS
FOR BELLY-TO-BELLY MOUNTING



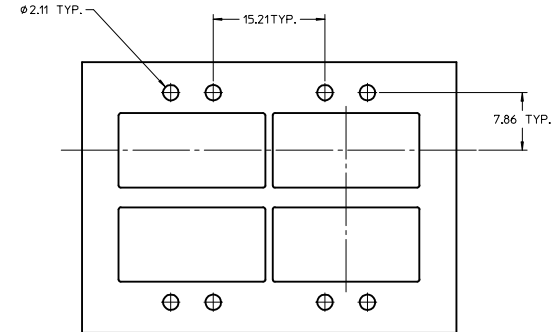
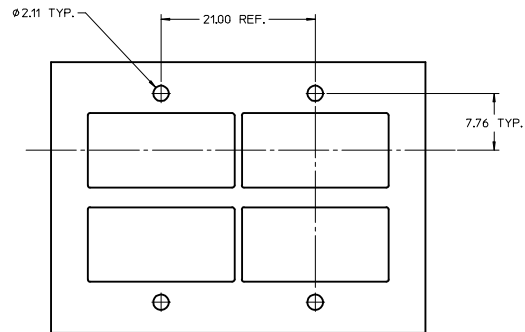
NOTE:
1. SEE QSFP MSA SPECIFICATION FOR BEZEL LOCATION TOLERANCE.
2. PCB THICKNESS VARIATION MUST BE CONSIDERED WHEN DETERMINING BEZEL OPENING, SIZE, AND LOCATION.

SEE REVISION SHEET IEC NO: CPG2015-1999 DRAWN: LERMIN 2014/10/13 CHECKED: GARDELLA 2014/10/13 APPR: BREED 2014/10/17	QUALITY SYMBOLS	GENERAL TOLERANCES (UNLESS SPECIFIED)	DIMENSION STYLE	SCALE	DESIGN UNITS	THIRD ANGLE PROJECTION
	▽=0	4 PLACES ± mm ± INCH	MM ONLY	1:1	METRIC	☉
	▽=0	3 PLACES ± 0.13 ± ---	DRAWN BY DATE			TITLE
	▽=0	2 PLACES ± 0.25 ± ---	CHECKED BY DATE			QSFP+ CAGE ASSEMBLY WITH SPRING FINGERS
		1 PLACE ± --- ± ---	APPROVED BY DATE			
		0 PLACE ± --- ± ---	RM AHMOOD 2010/11/01			
		ANGULAR ± 1 °	MATERIAL NO.		DOCUMENT NO.	SHEET NO.
		DRAFT WHERE APPLICABLE MUST REMAIN WITHIN DIMENSIONS	SEE SHEET 3		SD-74750-0021	6 OF 8
			SIZE D	THIS DRAWING CONTAINS INFORMATION THAT IS PROPRIETARY TO MOLEX INCORPORATED AND SHOULD NOT BE USED WITHOUT WRITTEN PERMISSION		

BEZEL LIGHT PIPE CUTOUT POSITION DIMENSIONS
FOR SINGLE SIDE MOUNTING



BEZEL LIGHT PIPE CUTOUT POSITION DIMENSIONS
FOR BELLY-TO-BELLY MOUNTING



SEE REVISION SHEET IEC NO. CPG2015-1999 DRAWN BY: 2014/10/13 CHYK: 2014/10/13 APPR: BREED 2014/10/17	QUALITY SYMBOLS	GENERAL TOLERANCES (UNLESS SPECIFIED)	DIMENSION STYLE	SCALE	DESIGN UNITS	THIRD ANGLE PROJECTION
	$\nabla=0$	mm INCH	MM ONLY	3:1	METRIC	
	$\nabla=0$	4 PLACES ± --- ± ---	DRAWN BY DATE	TITLE QSF+ CAGE ASSEMBLY WITH SPRING FINGERS		
	$\nabla=0$	3 PLACES ± --- ± ---	CHIRSCHY 2007/07/23			
	2 PLACES ± 0.13 ± ---	CHECKED BY DATE	MATERIAL NO. DOCUMENT NO. SHEET NO. SEE SHEET 3 SD-74750-0021 7 OF 8			
	1 PLACE ± 0.25 ± ---	BRUSSELL 2007/07/23				
	0 PLACE ± --- ± ---	APPROVED BY DATE	SIZE D THIS DRAWING CONTAINS INFORMATION THAT IS PROPRIETARY TO MOLEX INCORPORATED AND SHOULD NOT BE USED WITHOUT WRITTEN PERMISSION			
	ANGULAR ± 1 °	RAHMOOD 2010/11/01				

DATE	REV	DESCRIPTION
2007/07/23	A	INITAL RELEASE
2007/08/06	B	CHANGED ALL TANGENT LINES FROM DASHED LINES TO SOLID LINES
2007/08/10	C	1. ADDED COMPONENT P/N COLUMN TO TABLE 2. ADDED 'COMPONENT' TO NOTE IN BOTTOM VIEW ON SHEET 1 3. CHANGED TEXT IN MATERIAL NO. SECTION OF TITLE BLOCK TO READ 'SEE TABLE'
2008/07/10	D	1. REMOVED COMMENTS FROM TABLE ON SHEET 1 2. ADDED 'HOLES OPTIONAL' NOTE TO PCB LAYOUT ON SHEET 2 AND SHEET 3 3. ADDED 747500024 TO TABLE ON SHEET 1 AS WELL AS ISO VIEW 4. UPDATED 'COMPONENT PART NUMBER AND DATE CODE' NOTE ON SHEET 1
2008/12/16	E	1. 20.4 DIMENSION WAS 20.38 REF. 2. 58.8 DIMENSION WAS 58.80 REF. 3. 2.28 TYP. DIMENSION WAS 2.28 REF. 4. 15.4 DIMENSION WAS 15.40 REF.
2009/04/13	F	1. REVISED COMPONENT P/N FOR MOLEX P/N 747500024 (CHANGED FROM 747540104 TO 747500104)
2010/10/29	G	1. 20.5 MAX DIMENSION WAS 20.4 2. 19.2 MAX DIMENSION WAS 16.2 MAX
2011/04/05	H	1. ADDED PRINTED DATE CODE TO LEFT SIDE OF CAGE AND ASSOCIATED NOTES. 2. ADDED CUTAWAY 1 AND CRITICAL TO FUNCTION DIMENSION 29.88 ±0.15, SHEET 1. 3. REMOVED 74750 FROM BOTTOM OF CAGE, SHEET 1. 4. UPDATED RoHS NOTE (NOTE 5) TO 'LEAD FREE, NO RoHS EXEMPTIONS' ON SHEET 1. 5. ADDED END VIEW, SHEET 1.
2012/04/13	I	1. ADDED 747500012 TO P/N TABLE, SHEET 1. 2. UPDATED BELLY-TO-BELLY CAGE VIEW, SHEET 3. 3. ADDED BELLY-TO-BELLY BEZEL AND DIMENSIONS, SHEET 3.
2013/01/10	J	1. ADDED 747500057 AND 747500058 INTO P/N TABLE, SHEET 3. 2. REARRANGE EACH SHEET
2013/04/09	K	1. ADDED P/N 747500062 TO CHART ON PAGE 3. 2. UPDATED DIMENSION 9.77 TO 9.76 BY CORRECTING PLACEMENT ON VIEWS SHEET 6.
2014/10/13	L	1. ADDED P/N 747501586 AND ISO VIEW TO SHEET 3.

SEE REVISION SHEET EC NO: CPG2015-1999 DRAWN: ERWIN 2014/10/13 CHECKED: GARIBELLA 2014/10/13 APPROVED: BREED 2014/10/17 REV: DESCRIPTION	QUALITY SYMBOLS	GENERAL TOLERANCES (UNLESS SPECIFIED)	DIMENSION STYLE	SCALE	DESIGN UNITS	THIRD ANGLE PROJECTION	
	▽=0	mm INCH	MM ONLY	1:1	METRIC		
	▽=0	4 PLACES ± --- ± --- 3 PLACES ± --- ± --- 2 PLACES ± 0.13 ± --- 1 PLACE ± 0.25 ± --- 0 PLACE ± --- ± ---					TITLE
	▽=0	ANGULAR ± 1 ° DRAFT WHERE APPLICABLE MUST REMAIN WITHIN DIMENSIONS					QSFP+ CAGE ASSEMBLY WITH SPRING FINGERS molex MATERIAL NO. DOCUMENT NO. SHEET NO. SEE SHEET 3 SD-74750-0021 8 OF 8 THIS DRAWING CONTAINS INFORMATION THAT IS PROPRIETARY TO MOLEX INCORPORATED AND SHOULD NOT BE USED WITHOUT WRITTEN PERMISSION