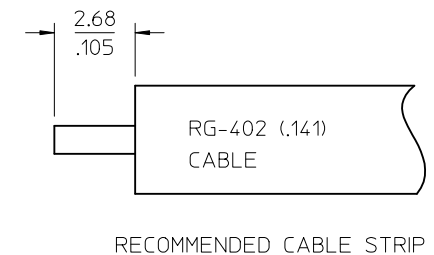
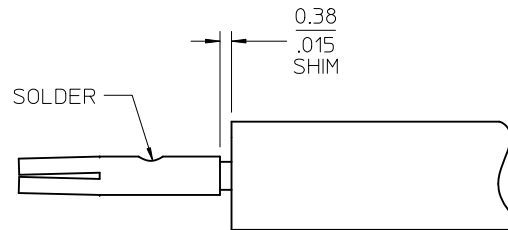
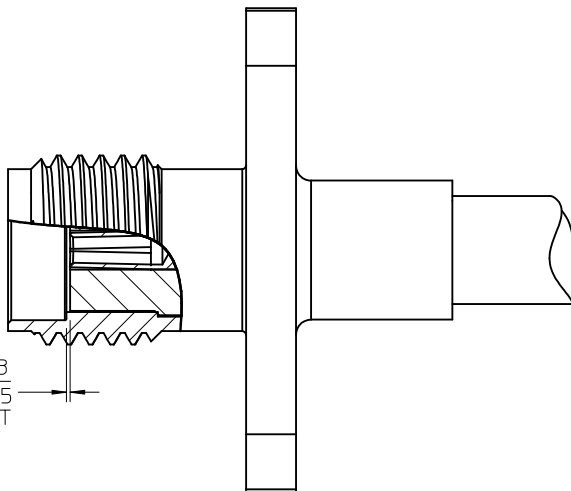
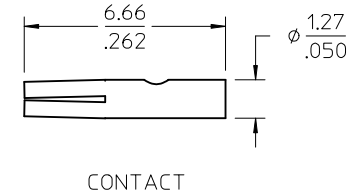
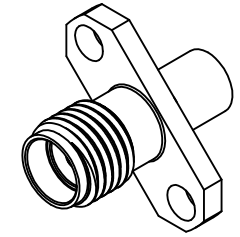
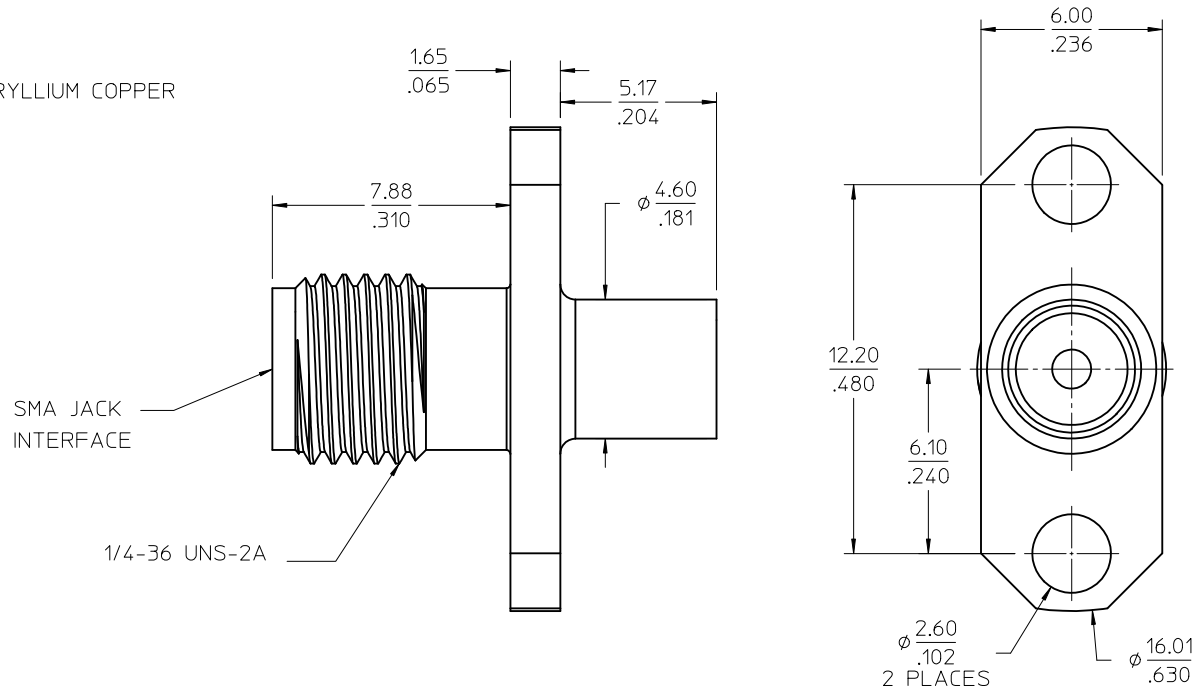


MATERIALS AND FINISHES

BODY: BRASS
PLATED GOLD

CENTER CONTACT: BERYLLIUM COPPER
PLATED GOLD

INSULATOR: TEFLON



73391-0361	ONE PER BAG
73391-0360	TRAY
PART NO.	PACKAGING

CHG: ADD -0361 EC NO: URF2011-0621 DRWN: JMIENER 2011/04/20 CHKD: SSS 2011/04/21 APPR: JMIENER 2011/04/21	QUALITY SYMBOLS ▽=0 ▽=0	GENERAL TOLERANCES (UNLESS SPECIFIED) mm INCH 4 PLACES ± --- ± --- 3 PLACES ± --- ± --- 2 PLACES ± --- ± --- 1 PLACE ± --- ± --- ANGULAR ± 2°	DIMENSION STYLE MM/IN DRAWN BY: CLARE LEE DATE: 2003/12/02 CHECKED BY: _____ DATE: _____ APPROVED BY: _____ DATE: _____	SCALE 10:1 DESIGN UNITS METRIC THIRD ANGLE PROJECTION	TITLE SMA JACK FLANGE MOUNT TWO HOLE RG-402 (.141) SMA-BJ EWR-N/A	
	MATERIAL NO. SEE TABLE	DOCUMENT NO. MOLEX INCORPORATED SD-73391-036	SHEET NO. 1 OF 1			
	DRAFT WHERE APPLICABLE MUST REMAIN WITHIN DIMENSIONS			THIS DRAWING CONTAINS INFORMATION THAT IS PROPRIETARY TO MOLEX INCORPORATED AND SHOULD NOT BE USED WITHOUT WRITTEN PERMISSION		
	REV B1					