

# XSAV12373

Inductive proximity sensors XS, Rotation monitoring, M30, Sn10mm, 120...3000c/mn, 12...48 VDC, cable 2 m



## Main

|                                    |   |
|------------------------------------|---|
| Range of Product                   | Telemecanique Inductive proximity sensors XS    |
| Series name                        | Application                                     |
| Product or Component Type          | Sensor  |
| Sensor Type                        | Inductive proximity sensor                      |
| Device Application                 | Rotation monitoring                             |
| Sensor name                        | XSA   |
| Sensor design                      | Cylindrical M30                                 |
| Size                               | 81 mm   |
| Body type                          | Fixed   |
| Detector flush mounting acceptance | Flush mountable                                 |
| Material                           | Metal   |
| Enclosure Material                 | Nickel Plated Brass                             |
| Type of output signal              | Discrete  |
| Wiring Technique                   | 3-wire  |
| [Sn] nominal sensing distance      | 0.39 in (10 mm)                                 |
| Discrete output function           | 1 NC  |
| Output circuit type                | DC  |
| Discrete output type               | PNP   |
| Electrical connection              | Cable   |
| Cable length                       | 6.56 ft (2 m)                                   |
| [Us] rated supply voltage          | 12...48 V DC reverse polarity protection        |
| Switching capacity in mA           | <= 200 mA overload and short-circuit protection |
| IP degree of protection            | IP67 conforming to IEC 60529                    |

## Complementary

|                            |                                |
|----------------------------|--------------------------------|
| Thread type                | M30 x 1.5                      |
| Detection face             | Frontal                        |
| Front material             | PPS                            |
| Sensing range              | > 0.31...0.59 in (> 8...15 mm) |
| Adjustable frequency range | 120...3000 cyc/mn              |
| Operating zone             | 0.00...0.31 in (0...8 mm)      |
| Differential travel        | 3...15% of Fr                  |
| Repeat accuracy            | 3% of Sr                       |
| Cable composition          | 3 x 0.34 mm <sup>2</sup>       |
| Wire insulation material   | PvR                            |
| Status LED                 | Output state 1 LED red)        |
| Supply voltage limits      | 10...58 V DC                   |
| Switching frequency        | <= 800 Hz                      |
| Maximum voltage drop       | <1.8 V closed)                 |
| Current consumption        | 0...15 mA no-load              |
| Run-up delay at power-up   | 9 s standard                   |

The information provided in this documentation contains general descriptions and/or technical characteristics of the performance of the products contained herein. This documentation is not intended as a substitute for and is not to be used for determining suitability or reliability of these products for specific user applications. It is the duty of any such user or integrator to perform the appropriate and complete risk analysis, evaluation and testing of the products with respect to the relevant specific application or use thereof. Neither Schneider Electric Industries SAS nor any of its affiliates or subsidiaries shall be responsible or liable for misuse of the information contained herein.

|                 |                      |
|-----------------|----------------------|
| Marking         | CE                   |
| Threaded length | 2.64 in (67 mm)      |
| Length          | 3.19 in (81 mm)      |
| Net Weight      | 0.66 lb(US) (0.3 kg) |

## Environment

|                                       |                            |
|---------------------------------------|----------------------------|
| Product Certifications                | CCC<br>CSA<br>UL           |
| Ambient air temperature for operation | -13...158 °F (-25...70 °C) |
| Ambient Air Temperature for Storage   | -40...185 °F (-40...85 °C) |

## Ordering and shipping details

|                       |                            |
|-----------------------|----------------------------|
| Category              | 22486 - SENSORS, PROXIMITY |
| Discount Schedule     | DS2                        |
| GTIN                  | 3389110628968              |
| Nbr. of units in pkg. | 1                          |
| Package weight(Lbs)   | 8.11 oz (230 g)            |
| Returnability         | Yes                        |
| Country of origin     | FR                         |

## Packing Units

|                              |                         |
|------------------------------|-------------------------|
| Unit Type of Package 1       | PCE                     |
| Package 1 Height             | 1.61 in (4.1 cm)        |
| Package 1 width              | 3.74 in (9.5 cm)        |
| Package 1 Length             | 5.20 in (13.2 cm)       |
| Unit Type of Package 2       | S02                     |
| Number of Units in Package 2 | 22                      |
| Package 2 Weight             | 12.16 lb(US) (5.515 kg) |
| Package 2 Height             | 5.91 in (15 cm)         |
| Package 2 width              | 11.81 in (30 cm)        |
| Package 2 Length             | 15.75 in (40 cm)        |

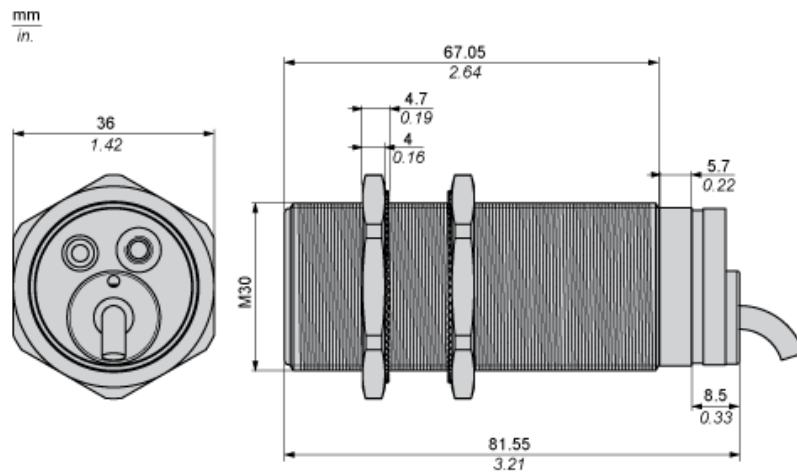
## Offer Sustainability

|                            |   |
|----------------------------|---|
| Sustainable offer status   | Green Premium product   |
| California proposition 65  | WARNING: This product can expose you to chemicals including: Diisononyl phthalate (DINP), which is known to the State of California to cause cancer, and Di-isodecyl phthalate (DIDP), which is known to the State of California to cause birth defects or other reproductive harm. For more information go to <a href="http://www.P65Warnings.ca.gov">www.P65Warnings.ca.gov</a> |
| REACH Regulation           | <a href="#">REACH Declaration</a>   |
| EU RoHS Directive          | Pro-active compliance (Product out of EU RoHS legal scope) <a href="#">EU RoHS Declaration</a>  |
| Mercury free               | Yes   |
| RoHS exemption information | <a href="#">Yes</a>   |
| Environmental Disclosure   | <a href="#">Product Environmental Profile</a>   |
| Circularity Profile        | <a href="#">End Of Life Information</a>   |

## Contractual warranty

|          |           |
|----------|-----------|
| Warranty | 18 months |
|----------|-----------|

Dimensions



(1) LED

---

Minimum Mounting Distances

---

Side by side



e (1) 20 mm/0.79 in

≥

Face to face



e (2) 120 mm/4.72 in

≥

Facing a metal object



e (3) 30 mm/1.18 in.

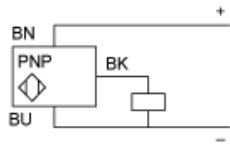
≥

---

## Wiring Schemes

---

3-wire DC



BU : Blue  
BN : Brown  
BK : Black

Performance Curves

Standard Steel Target : 30x30x1 mm



- (1) Pick-up points
- (2) Drop-out points (object approaching from the side)
- (y) Sensing distance in mm