



# FORM



DOC REF: 7167

REVISION: 2.00

## Customer Product Change Notice

Page 1 of 1

<b>Part Number:</b>	VBM211-75
<b>Change No:</b>	D17471
<b>Raised By:</b>	M.SALMON
<b>Department:</b>	ENGINEERING
<b>Date:</b>	03/06/2021

### Detailed description of the change

Include previous revision and new revision. List all changes from the previous to the new revision clearly. Attach new marked up drawing to accompany this PCN document.

VBM211-75 ISSUE 005 (13<sup>TH</sup> MAY 2015) UPDATED TO VBM211-75 ISSUE 006 (30<sup>TH</sup> APR 2021).

VBM211-75 DRAWING UP-ISSUED IN LINE WITH CINCH SUPPLIER PART DOCUMENTATION QUALITY REVIEW AND DIMENSIONAL PART INSPECTION. SEE ANNOTATED ISSUE 006 DRAWING ATTACHED FOR HIGHLIGHTED CHANGES AGAINST THE PREVIOUS ISSUE 005 DRAWING.

#### **ELECTRONICAL CHARACTERISTICS UPDATES**

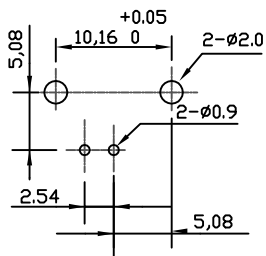
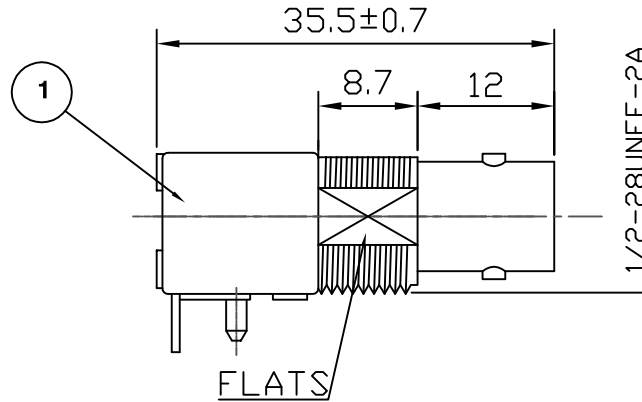
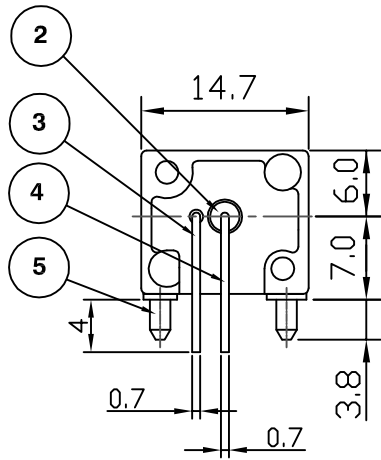
Frequency Range: DC to 1GHz TO DC to 4.0GHz  
Centre Contact Resistance: 1.5 Megohms  
Outer Contact Resistance: 1.0 Megohms  
Temperature Range: -55°C to +85°C TO -65°C to +160°C

#### **MATERIAL / PLATING UPDATES**

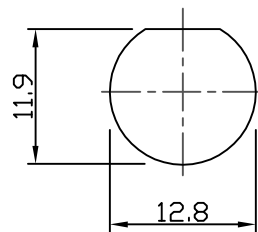
Ground Terminal: Copper / Tin TO Brass / Tin  
Socket Contact: Phosphor Bronze / Gold TO Brass / Tin  
Lock Washer: Brass / Nickel TO Iron / Nickel  
Hex Nut: Brass / Nickel TO Zinc / Nickel

PCN Approved By (Cinch Use Only)	Sign & Print Name	Date
<b>Engineering:</b>		
<b>Product/Business Development:</b>		

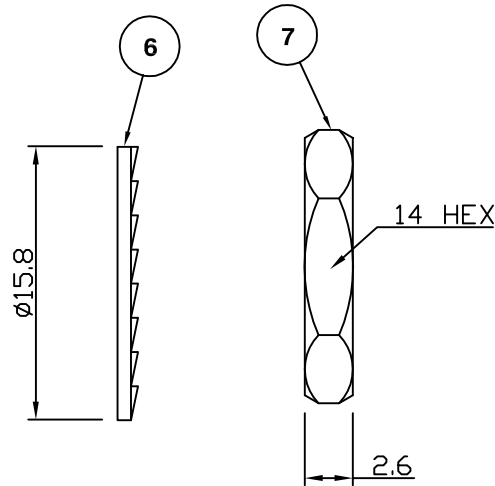
RoHS COMPLIANT



RECOMMENDED PCB LAYOUT



RECOMMENDED PANEL CUTOUT



**Electrical Characteristics**

Nominal Impedance:	75 ohms
Frequency Range:	DC to 1GHz
VSWR:	1.3:1 maximum
Insertion Loss:	0.2 dB at 1 GHz
Operating Voltage (rms):	500 V maximum at sea level
Dielectric Withstand Voltage (rms):	1500 V maximum at sea level
Contact Resistance:	3.0 milliohms maximum
Insulation Resistance:	5000 megohms minimum

**Mechanical Characteristics**

Mating Cycles:	500 cycles minimum
Interface Dimensions:	Conform to MIL-C-39012

**Environmental Characteristics**

Temperature Range:	-55 °C to +85 °C
--------------------	------------------

REF.	DESCRIPTION	MATERIAL	PLATING
1	Body	Zinc Alloy	Nickel
2	Insulator	POM	
3	Ground Terminal	Copper-Clad Steel	Tin
4	Socket Contact	Phosphor Bronze	Gold
5	Mount Post	Brass	Tin >5 Microns
6	Lock Washer	Brass	Nickel
7	Hex Nut	Brass	Nickel

DESCRIPTION OF REVISION	APPVD	ISS	DATE
Dimension Update	JC	5	13 May 15
Complete Update	KA	4	17 Mar 08
Plating thickness of mtg post added	MS	3	29 Nov 07
CAD Issue	PDC	2	06 Jun 02
First Issue	CBB	1	02 Sep 99



11 Bilton Road,  
Chelmsford, Essex,  
CM1 2UP UK.  
Tel: +44 (0) 1245 359515  
Fax: +44 (0) 1245 358938

SCALE: Not To Scale

DIMENSIONS: mm

TOLERANCES:  
± 0.2mm unless  
otherwise stated

DRAWN BY:

P Couzens

CHECKED BY:

P Couzens

APPROVED BY:

S Nash

DATE:

06 Jun 02

TITLE:

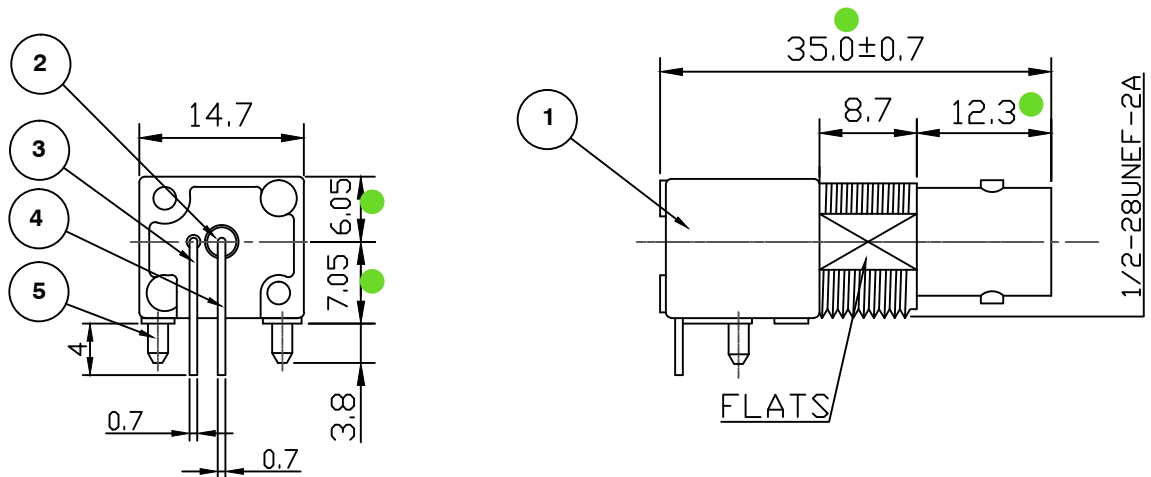
BNC Right Angle PCB Mount  
Jack Low Profile 75 Ohm

PART NUMBER:

**VBM211-75**

PAGE: 1 of 1

RoHS COMPLIANT



**Electrical Characteristics**

Nominal Impedance:	75 ohms
Frequency Range:	DC to 4.0 GHz
VSWR:	1.3:1 maximum
Insertion Loss:	0.2 dB at 1 GHz
Operating Voltage (rms):	500 V maximum at sea level
Dielectric Withstand Voltage (rms):	1500 V maximum at sea level
Centre Contact Resistance:	1.5 megohms
Outer Contact Resistance:	1.0 megohms
Insulation Resistance:	5000 megohms minimum

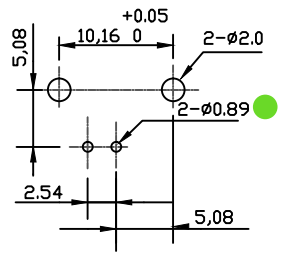
**Mechanical Characteristics**

Mating Cycles:	500 cycles minimum
Interface Dimensions:	Conform to MIL-C-39012

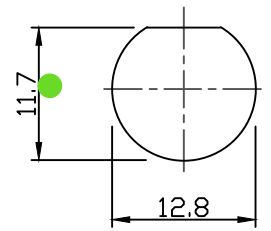
**Environmental Characteristics**

Temperature Range:	-65°C to +160 °C
--------------------	------------------

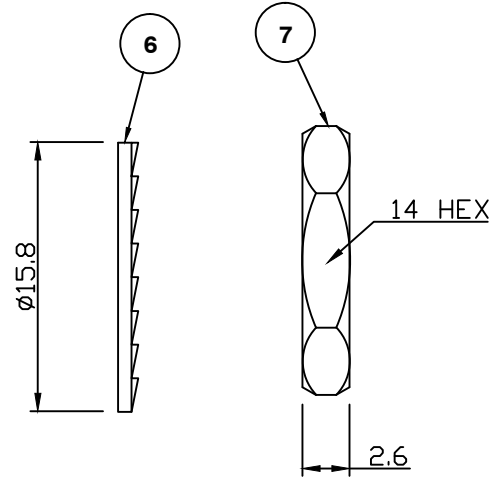
REF.	DESCRIPTION	MATERIAL	PLATING
1	Body	Zinc	Nickel
2	Insulator	POM	Natural
3	Ground Terminal	Brass	Tin
4	Socket Contact	Brass	Tin
5	Mount Post	Brass	Tin
6	Lock Washer	Iron	Nickel
7	Hex Nut	Zinc	Nickel



RECOMMENDED PCB LAYOUT



RECOMMENDED PANEL CUTOUT



Dimension/Info Update	ECN	MS	6	30 Apr 21
Dimension Update	- ECN D17472	MS	6	30 Apr 21
Dimension Update		JC	5	13 May 15
Complete Update		KA	4	17 Mar 08
Plating thickness of mtg post added		MS	3	29 Nov 07
CAD Issue		PDC	2	06 Jun 02
First Issue		CBB	1	02 Sep 99
DESCRIPTION OF REVISION		APPVD	ISS	DATE

●UPDATED



CINCH CONNECTIVITY SOLUTIONS  
 11 Bilton Road,  
 Chelmsford, Essex,  
 CM1 2UP, UK.  
 Tel: +44 (0) 1245 359515  
 Fax: +44 (0) 1245 358938

SCALE: Not To Scale	DRAWN BY: P Couzens
DIMENSIONS: mm	CHECKED BY: P Couzens
TOLERANCES: ± 0.2mm unless otherwise stated	APPROVED BY: S Nash
	DATE: 06 Jun 02

TITLE:  
**BNC Right Angle PCB Mount  
 Jack Low Profile 75 Ohm**

PART NUMBER:  
**VBM211-75**  
 PAGE: 1 of 1