

PROPRIETARY INFORMATION: PROPRIETARY OF GLOBTEK, INC. ANY REPRODUCTION, DISCLOSURE OR USE OF THIS DRAWING, IN WHOLE OR IN PART, IS HEREBY PROHIBITED EXCEPT AS SPECIFIED IN WRITING BY GLOBTEK, INC.	REVISION			
	REV	DESCRIPTION	DATE	APPROVED
	A	INITIAL RELEASE, RFS. 22265, EM	01/23/12	HM
	B	UPDATE O/P CORD FERRITE WITH 1 TURN, RFS. 22837, EM	04/25/12	HM
	C	UPDATE PACKING, APPROVALS ON THE LABEL, RFS. 27794	05/04/23	MK

IMPLEMENT ALL CHANGES DESCRIBED IN ECN.NO 3117 IN THIS MODEL.



All models under this series are Certified to be in compliance with all the applicable requirements of UL60601-1 2nd Edition, CSA 22.2 No.601.1-M90 and EN 60601-1:A2. Globtek's Medical power supplies are designed to be used in applications that do not connect the output to Patient Circuits directly. The power supply can be used in systems with patient applied parts only when appropriate system level isolation is provided by the end user.

1. NOTES:

DIMENSIONS ARE IN MM UNLESS SPECIFIED OTHERWISE.



2. ELECTRICAL SPECIFICATIONS:

INPUT VOLTAGE: 90 VAC TO 264 VAC
 INPUT CURRENT: < 2.0 A RMS AT 90 VAC INPUT
 INPUT FREQUENCY: 47 HZ - 63 HZ
 OUTPUT VOLTAGE : 24VDC
 OUTPUT CURRENT : 2.5A, NO MINIMUM LOAD REQUIRED TO MAINTAIN OUTPUT VOLTAGE REGULATION
 OUTPUT POWER (RATED): 60 WATTS MAX
 SWITCHING FREQUENCY
 OUTPUT RIPPLE VOLTAGE (PEAK TO PEAK): +/-1% OR 50 mV WHICHEVER IS GREATER AT NOMINAL OUTPUT VOLTAGE. MEASURED AT 20 MHz BANDWIDTH WITH 0.1µf CERAMIC CAPACITOR IN PARALLEL WITH 10 µf ELECTROLYTIC CAPACITOR CONNECTED AT THE END OF THE OUTPUT CONNECTOR.
 OUTPUT VOLTAGE REGULATION: ± 5 % FOR MAIN OUTPUT, MEASURED AT O/P CONNECTOR
 LINE REGULATION: ± 1 % MAX AT FULL LOAD, MEASURED AT O/P CONNECTOR
 TURN ON/ TURN OFF OVERSHOOT: ± 5 % MAX 500µs MAX RECOVERY TIME FOR 25% STEP LOAD
 HOLD-UP TIME: 8.0 mSEC MIN AT NOMINAL INPUT AND FULL LOAD
 OUTPUT RISE TIME: < 35 mS
 TURN ON TIME: < 3 S @ 115 V
 INRUSH CURRENT: 40 A MAX AT COLD START FOR N.A. (50A FOR EURO)
 EFFICIENCY: 80 % @120 VAC, FULL LOAD, TYPICAL
 SWITCHING FREQUENCY: 100 KHZ TYPICAL
 OVER-VOLTAGE PROTECTION: PROTECTED, HICCUP WITH AUTO RECOVERY, UPON REMOVAL OF FAULT
 OVER-CURRENT / SHORT CIRCUIT: PROTECTED, HICCUP WITH AUTO RECOVERY, UPON REMOVAL OF FAULT
 OTHER PROTECTION: INPUT LINE AND NEUTRAL FUSING
 NO LOAD POWER CONSUMPTION: < 1.0 W @ 230Vac
 SAFETY APPROVALS : UL60601-1, CUL TO 22.2# 601, DEMKO TO EN60601, CE CLASS I
 DIELECTRIC WITHSTAND VOLTAGE: 5656 VDC PRIMARY-SECONDARY;2121 VDC PRIMARY- GROUND
 LEAKAGE CURRENT: ≤ 250 µA AT 240 VAC INPUT
 EMI: COMPLIES WITH EN55011 , CLASS B AND FCC PART 15 CLASS B WHEN TESTED WITH A RESISTIVE LOAD, BOTH CONDUCTED AND RADIATED EMI
 CE MARK: TESTED TO COMPLY WITH EN61000-3-2 EN61000-3-3, AND EN50082-1, INCLUDING EN61000-4-2, EN61000-4-3, EN61000-4-4, EN61000-4-5, EN61000-4-6, EN61000-4-11, EN 60601-1-2-2001.
 MTBF: 200,000 HOURS AT 25°C AMBIENT TEMPERATURE, FULL LOAD 230 VAC INPUT
 OPERATING TEMPERATURE: 0°C TO 40° C
 STORAGE TEMPERATURE: -40°C TO 80° C
 ALTITUDE: 10,000' (OPERATING), 40,000' (NON-OPERATING)
 HUMIDITY: 0% TO 90% RELATIVE HUMIDITY
 WEIGHT: 405 g
 ROHS: COMPLIES WITH EU 2002/95/EC AND CHINA SJ/T 11363-2006

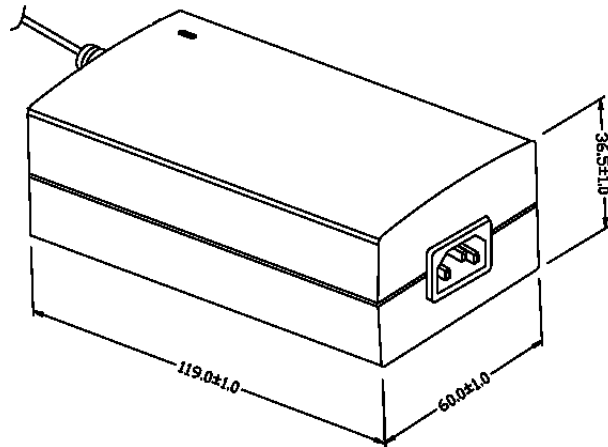
Foot Note: Globtek Inc. will not be liable for the safety and performance of these power supplies if unauthorized access and repair occurs. End user should consult applicable UL, CSA or EN standards for proper installation instructions	C	PART NO	REV.	DESCRIPTION	NOTES
		TABULATION BLOCK			
Limitation of Use: Globtek product are not authorized for use as mission critical components in life support, hazardous environment, nuclear or aircraft applications without prior written approval from the CEO of Globtek Inc.	TOLERANCES: DECIMALS ANGULAR .xx +/- 0.1 +/- 1° .xxx +/- .005		186 Veterans Dr. Northvale, NJ 07647 Tel. 201-784-1000 Fax 201.784.0111 www.globtek.com		
	INIT.BY:EM	DATE: 12/1/11	MILLIMETERS ANGULAR .xx +/- 0.3 +/- 1° .xxx +/- .013	DWG TITLE: SWITCHING POWER SUPPLY, 60WATT, 24V@ 2.5A SINGLE OUTPUT, FAMILY DESKTOP, UNIVERSAL INPUT, MEDICAL , CLASS I	
DRAWN: NF	DATE: 12/1/11	FSCN No.: G, Y	SIZE A	MODEL NO: GTMB1057-6024	REV. C
Contents of this document are subject to change without prior notice	APRVD : HM	DATE: 12/1/11	SCALE: NONE	PART NO: TR9CI2500A04-C-MEDR	SHEET 1 OF 4

PROPRIETARY INFORMATION:

PROPRIETARY OF GLOBTEK, INC. ANY REPRODUCTION, DISCLOSURE OR USE OF THIS DRAWING, IN WHOLE OR IN PART, IS HEREBY PROHIBITED EXCEPT AS SPECIFIED IN WRITING BY GLOBTEK, INC.

3. ENCLOSURE

UPPER HOUSING: HIGH IMPACT PLASTIC, 94V0 POLYCARBONATE, NON-VENTED, COLOR BLACK
LOWER HOUSING: HIGH IMPACT PLASTIC 94V0 POLYCARBONATE, NON- VENTED, COLOR BLACK
SIZE: 120.0 X 60.5 X 36.5 ± 1 mm



4. INDICATOR: GREEN LED, OUTPUT PRESENT

5. INPUT CONNECTOR:

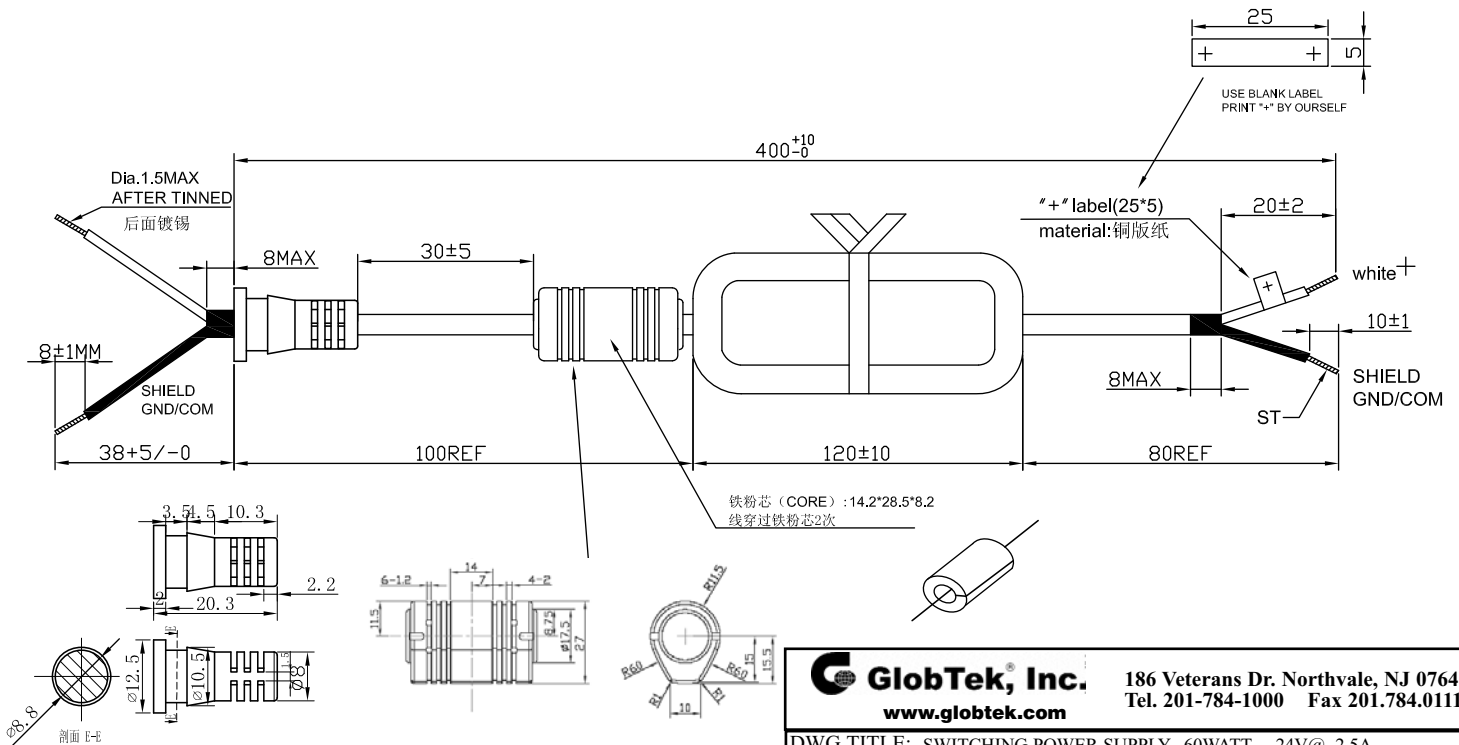
CONFIGURATION: CLASS 1 MODEL IEC320 / C14, AC POWER INLET WITH 3 MALE PRONGS

6. OUTPUT CORD:

1 CONDUCTOR+SHIELD, 18AWG STRANDED WIRE, UL 1185, ROUND CORD TYPE , COLOR BLACK, LENGTH OF CORD: 400 +10, -0 mm.
CORD IS MEASURED FROM THE HOUSING TO THE END OF OVERMOLD OF THE CONNECTOR.
CABLE IS TO BE MARKED WITH WIRE GAUGES, AND ALL APPLICABLE RATING AND SAFETY APPROVALS.
CABLE HAS MOLDED WITH FERRITE WITH 1 TURN CUSTOM CORDSET AVAILABLE.

7. OUTPUT CONNECTOR:

STRIP 20 mm AND TIN 10 mm



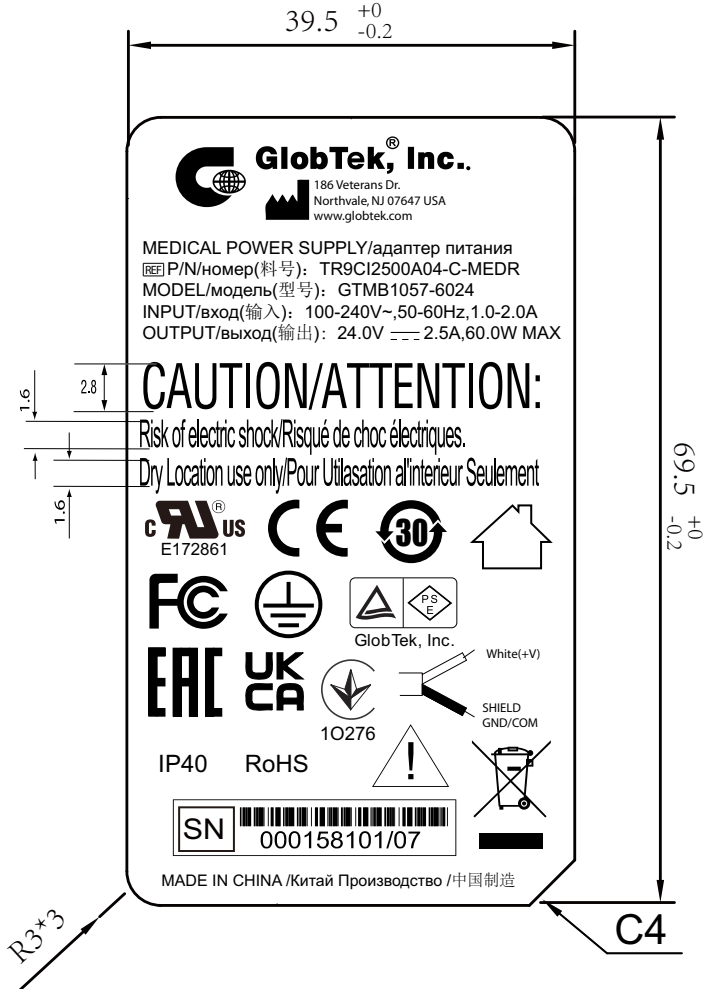
GlobTek, Inc. www.globtek.com		186 Veterans Dr. Northvale, NJ 07647 Tel. 201-784-1000 Fax 201.784.0111
DWG TITLE: SWITCHING POWER SUPPLY, 60WATT, 24V@ 2.5A SINGLE OUTPUT, FAMILY DESKTOP, UNIVERSAL INPUT, MEDICAL , CLASS I		
MODEL NO: GTMB1057-6024		REV. C
PART NO: TR9CI2500A04-C-MEDR		SHEET 2 OF 4

PROPRIETARY INFORMATION:

PROPRIETARY OF GLOBTEK, INC. ANY REPRODUCTION, DISCLOSURE OR USE OF THIS DRAWING, IN WHOLE OR IN PART, IS HEREBY PROHIBITED EXCEPT AS SPECIFIED IN WRITING BY GLOBTEK, INC.

8. LABEL:

MATERIAL: .007 (0.18) THICK FLAT THERMAL TRANSFER, IMPRINTABLE, BLACK POLYESTER SHEET WITH WHITE NOMENCLATURE.
MANUFACTURER: STEVEN LABEL, MATERIAL I.D. NO.3302-33, UL FILE NO. MH12821(N), UL MATERIAL DESIGNATION FILE NO. GHW332RL. OPTIONAL LABEL MATERIAL CAN BE SUBSTITUTED PROVIDING MATERIAL IS UL LISTED AND COMPLIES WITH APPLICABLE SAFETY REQUIREMENTS.




ACTUAL POSITIONING OF SYMBOLS AND TEXT IS SUBJECT TO CHANGE AT TIME OF MANUFACTURE

		186 Veterans Dr. Northvale, NJ 07647 Tel. 201-784-1000 Fax 201.784.0111
www.globtek.com		
DWG TITLE: SWITCHING POWER SUPPLY, 60WATT, 24V@ 2.5A SINGLE OUTPUT, FAMILY DESKTOP, UNIVERSAL INPUT, MEDICAL , CLASS I		
MODEL NO: GTMB1057-6024	REV. C	
PART NO: TR9C12500A04-C-MEDR	SHEET 3 OF 4	

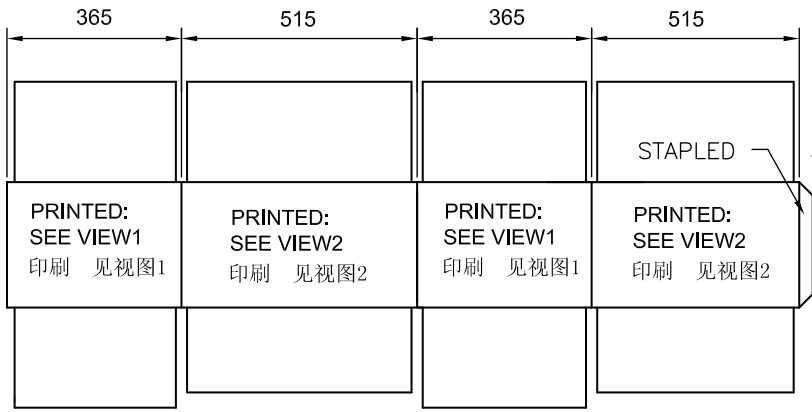
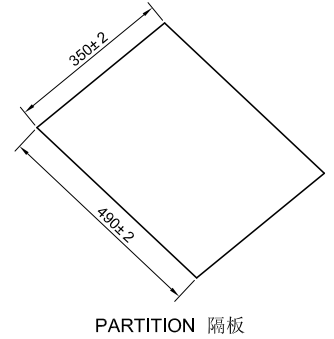
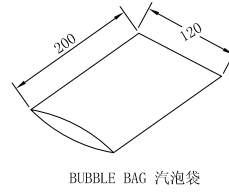
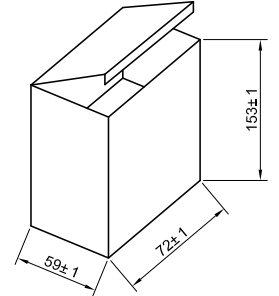
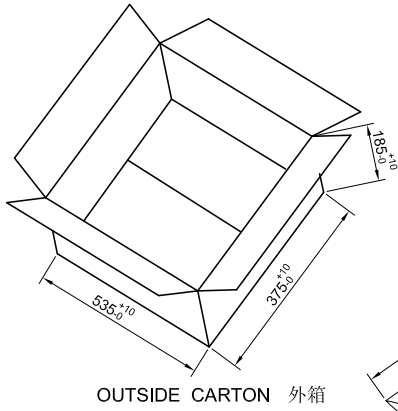
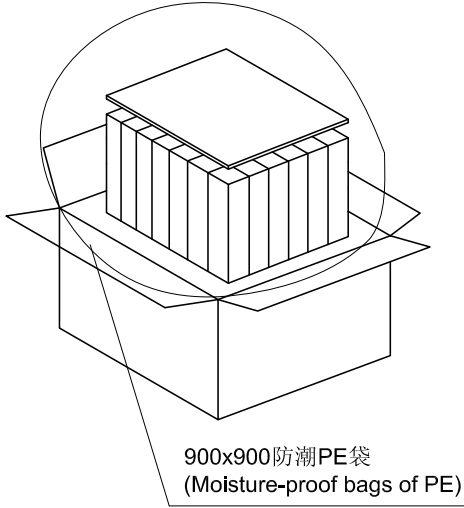
PROPRIETARY INFORMATION:
 PROPRIETARY OF GLOBTEK, INC. ANY REPRODUCTION, DISCLOSURE OR USE OF THIS DRAWING, IN WHOLE OR IN PART, IS HEREBY PROHIBITED EXCEPT AS SPECIFIED IN WRITING BY GLOBTEK, INC.

9. PACKING :

MATERIAL: CORRUGATED FIBERBOARD, F-FLUTE 0.8 (2.0) THICK, DOUBLE WALL CONSTRUCTION.
 EXTERNAL FINISH: WHITE, COATED WITH GLOSS FINISH (AQUEOUS OR VARNISH) STYLE: TUCK SIDES WITH LOCKING TABS ON BOTH SIDES OF BOX. NO PRINTING ON THE OUTSIDE OF BOX.

 THIS DWG CAN BE USED FOR THE MODEL WHOSE PACKING IS SAME AS THIS

42PCS/CARTON
 7(L:72) x 6(W:59) x 1(H:153)



 GlobTek, Inc. www.globtek.com	186 Veterans Dr. Northvale, NJ 07647 Tel. 201-784-1000 Fax 201.784.0111
	DWG TITLE: SWITCHING POWER SUPPLY, 60WATT, 24V@ 2.5A SINGLE OUTPUT, FAMILY DESKTOP, UNIVERSAL INPUT, MEDICAL, CLASS I
MODEL NO: GTMB1057-6024	REV. C
PART NO: TR9CI2500A04-C-MEDR	SHEET 4 OF 4