

Description : 50 Ohms Terminated SP3T 18GHz SMA N/O 28V SWITCH  
Options : POSITIVE COMMON / SUPP. DIODES

Issue 03.04.12  
Page 1/2

**RF CHARACTERISTICS**

Number of ways : 3  
Frequency range : 0 - 18 GHz  
Impedance : 50 Ohms

Frequency (GHz)	0 - 3	3 - 8	8 - 12.4	12.4 - 18
VSWR max	1.20	1.30	1.40	1.50
Insertion loss max	0.20 dB	0.30 dB	0.40 dB	0.50 dB
Isolation min	80 dB	70 dB	60 dB	60 dB
Average power (*)	240 W	150 W	120 W	100 W

TERMINATION IMPEDANCE : 50 Ohms  
TERM. AVG. POWER AT 25° C : 1 W per termination  
3 W total power

**ELECTRICAL CHARACTERISTICS**

Actuator : NORMALLY OPEN  
Nominal current \*\* : 102 mA  
Actuator voltage (Vcc) : 28V (24 to 30V) / POSITIVE COMMON  
Terminals : solder pins (250°C max. / 30 sec.)

**MECHANICAL CHARACTERISTICS**

Connectors : SMA female per MIL-C 39012  
Life : 2.000.000 cycles per position  
Switching Time\*\*\* : < 15 ms  
Construction : Splashproof  
Weight : < 250 g

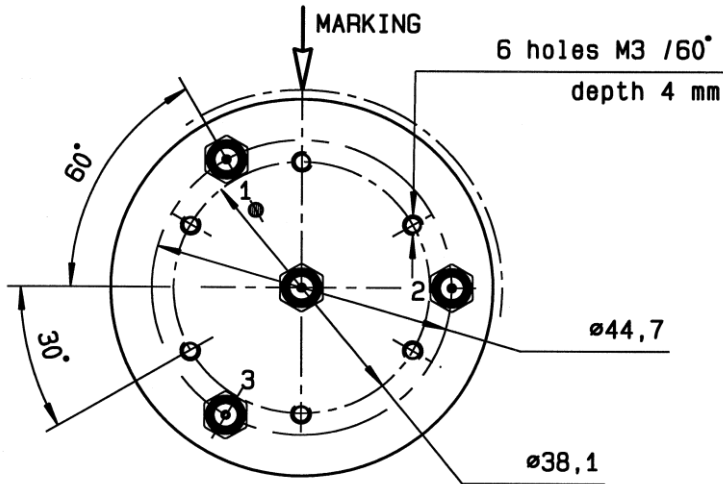
**ENVIRONMENTAL CHARACTERISTICS**

Operating temperature range : -40°C to +85°C  
Storage temperature range : -55°C to +85°C

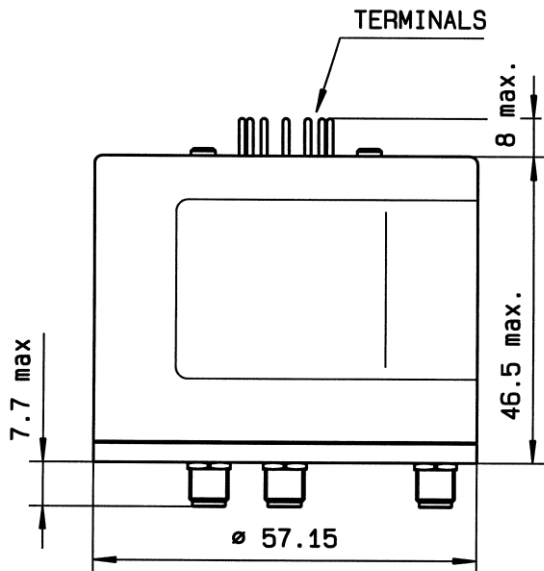


(\* Average power at 25°C per RF Path)  
(\*\* At 25° C ±10%)  
(\*\*\* Nominal voltage ; 25° C)

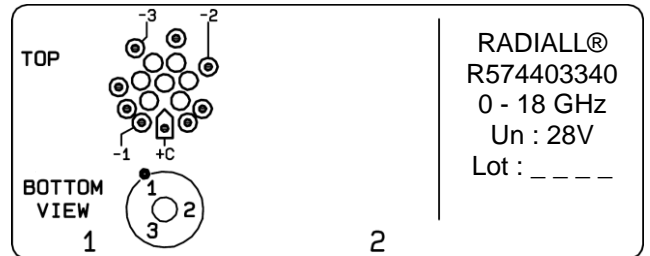
DRAWING



Voltage	RF Continuity
+C -1	IN ↔ 1
+C -2	IN ↔ 2
+C -3	IN ↔ 3



LABEL



General tolerances : ±0.5 mm

SHEMATIC DIAGRAM

