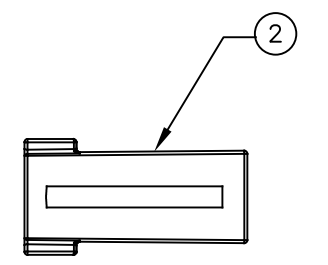
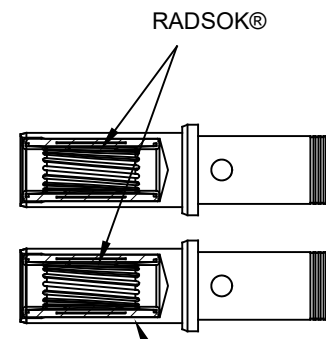
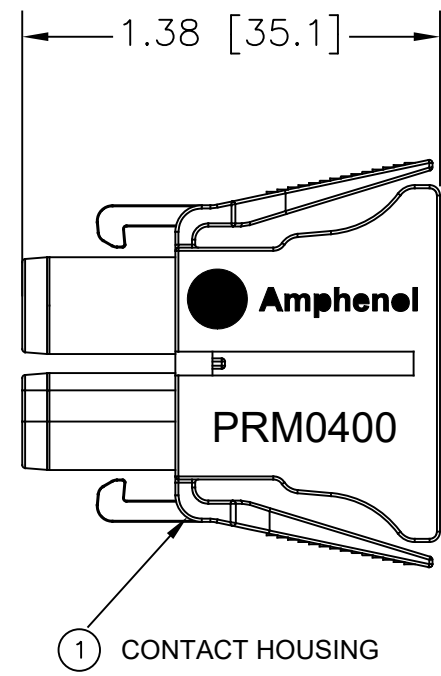
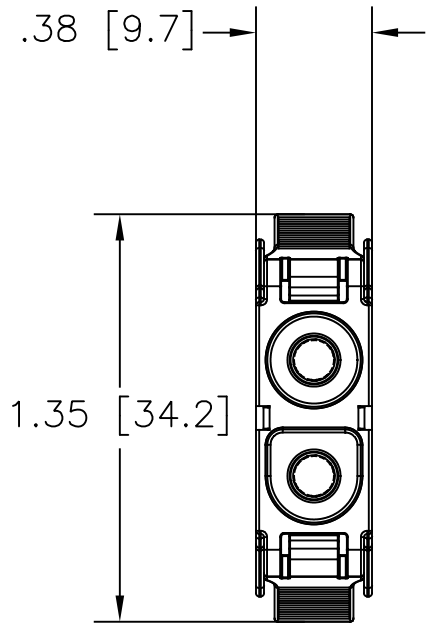
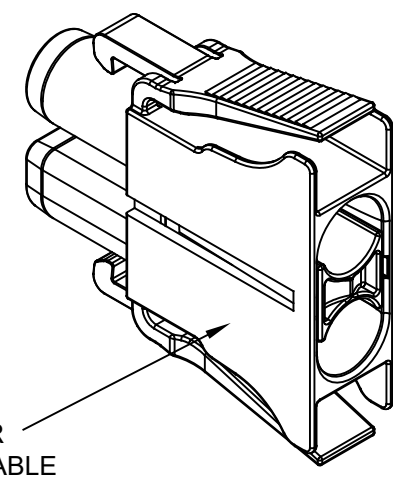


REVISIONS					
REV	ECD	DESCRIPTION	DATE	BY	APPR
A1	-	INITIAL RELEASE	4JAN 20	TZ	-



CONTACT RETAINER CLIP



PART NUMBER	CONTACT P/N	WIRE AWG (mm <sup>2</sup> )	US UL	CUL
PRM0400-G1-PLG	SC000532-14-R4	16 AWG (1.5mm <sup>2</sup> )	PEND	PEND
		14 AWG (2.5mm <sup>2</sup> )	PEND	PEND
PRM0400-G2-PLG	SC000532-10-R4	12 AWG (4mm <sup>2</sup> )	30A DC	30A DC
		10 AWG (6mm <sup>2</sup> )	43A DC	43A DC
PRM0400-G4-PLG	SC000532-6-R4	8 AWG (10mm <sup>2</sup> )	57A DC	57A DC
		6 AWG (16mm <sup>2</sup> )	70A DC	60A DC

NOTES:

- CONTACT BARREL RANGE: 6-16AWG
- MAX INSULATION SIZE: .315 (8MM)
- RECOMMENDED CRIMP TOOLS:  
HAND CRIMPER: DANIELS M300BT  
UNIVERSAL POSITIONER: UH2-5
- EXTRACTION TOOL: 50-80639
- MATERIALS:  
HOUSING BODY: GF PA 6/6  
CONTACT: COPPER ALLOY / SILVER PLATED WITH RADSOK® TECHNOLOGY
- ELECTRICAL DATA:  
a) CURRENT (MAX): SEE CHART  
b) VOLTAGE (MAX): 250V DC
- TECHNICAL DATA:  
a) TEMPERATURE RANGE: -40°C TO 125°C  
b) MATING CYCLES: >500
- RoHS COMPLIANT
- UL 94 V-0 FLAME RATING
- INSTALLATION INSTRUCTIONS:  
WWW.AMPHENOL-SINE.COM/PDF/PRM0400-PLG.PDF

BAG SAMPLE

DATE: MM/DD/YY  
LOT: XXXXXX  
QTY: 1

\*SEE UL RATING IN CHART

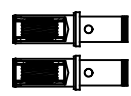
INSTALLATION TOOL DANIELS M300BT

ASSEMBLY INSTRUCTIONS  
www.amphenol-sine.com/pdf/prm0400-plg.pdf

E336860

KIT CONTAINS

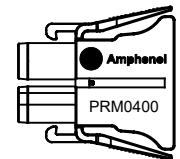
2 CONTACTS



CONTACT RETAINER CLIP



CONTACT HOUSING



COMPONENTS CAN BE PURCHASED SEPARATELY

QUANTITY	PART NUMBER	DESCRIPTION	ITEM
2	SC000532-6-R4	4MM FEMALE, SOCKET, 6-8AWG	5
2	SC000532-10-R4	4MM FEMALE, SOCKET, 10-12AWG	4
2	SC000532-14-R4	4MM FEMALE, SOCKET, 14-16AWG	3
1	PL-000729	CONTACT RETAINER CLIP	2
1	PL-000728	CONTACT HOUSING	1

MATERIALS LIST

UNLESS OTHERWISE SPECIFIED 1) All dimensions are in metric(mm). 2) Tolerances are as follows: 1 PL DEC ±0.30 2 PL DEC ±0.15 3 PL DEC ±0.08 3) Note reference =	SIGNATURES DRAWN: TZ CHECKED: RC ENGINEER: TZ APPROVAL: TZ	DATE 1JAN20 2FEB20 3MAR20	 Sine Systems - www.amphenol-sine.com 44724 Morley Drive Clinton Township, MI 48036 KIT, 2 POSN, F/M PLUG, SCKT PRM SERIES™ MACH CONT, MATES WITH PRM0400-G2.PNL
MATERIAL SPECIFICATIONS: SEE NOTES	CUSTOMER:	THIS DRAWING IS SUPPLIED FOR INFORMATION ONLY. DESIGN FEATURES, SPECIFICATIONS AND PERFORMANCE DATA SHOWN HEREON ARE THE PROPERTY OF THE AMPHENOL CORPORATION. NO RIGHTS OF REPRODUCTION ARE IMPLIED. ALL DIMENSIONS ARE SUBJECT TO NORMAL MANUFACTURING VARIATIONS.	
PROCESS SPECIFICATIONS:	SCALE: NONE		SIZE: B C- DWG NO: PRM0400-G(X)-PLG REVISION: A1
NEXT ASSY:	SHEET 1 OF 1		



TITLE: KIT, 2 POSN, F/M PLUG, SCKT PRM SERIES?  
DWG NO:  
REV: A1  
SH: 1  
DF: 1