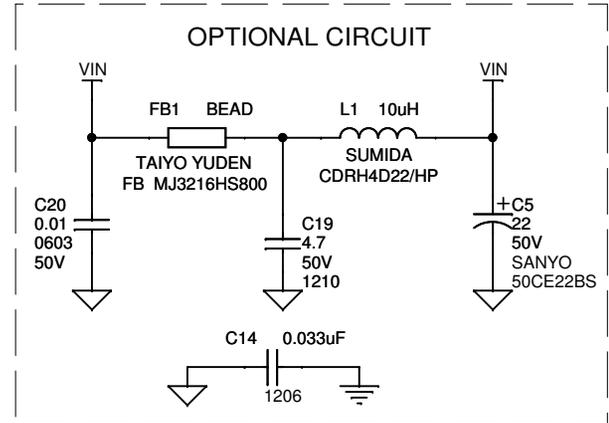
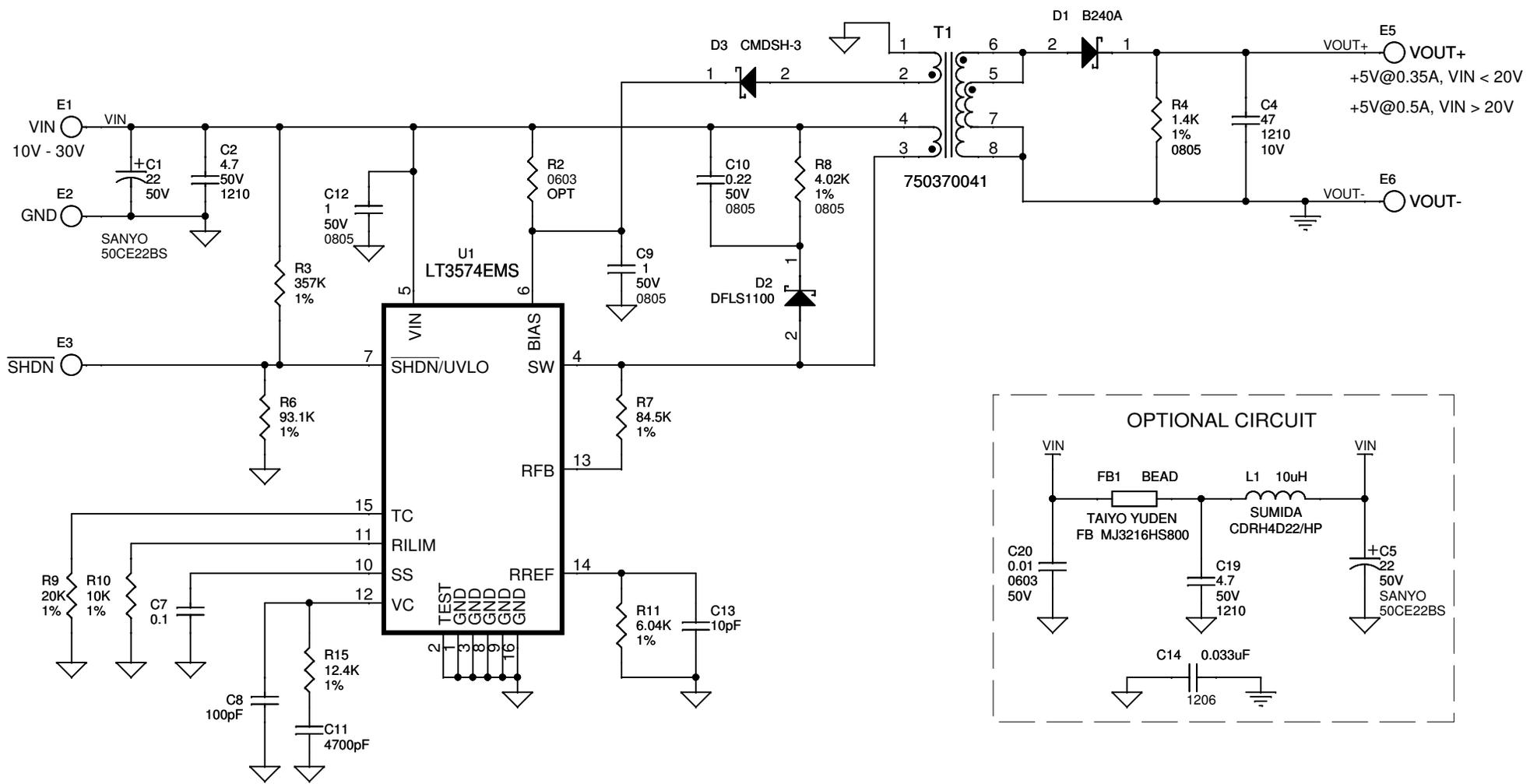


REVISION HISTORY				
ECO	REV	DESCRIPTION	DATE	APPROVED
	1-1	CHANGED: C11,R15,R4	06-05-13	Zhongming Y.



- NOTES: UNLESS OTHERWISE SPECIFIED,
1. ALL RESISTOR CASE SIZES ARE 0402.
  2. ALL CAPACITOR VALUES ARE IN MICROFARADS, AND CASE SIZES ARE 0402.

<p align="center"><b>CUSTOMER NOTICE</b></p> <p>LINEAR TECHNOLOGY HAS MADE A BEST EFFORT TO DESIGN A CIRCUIT THAT MEETS CUSTOMER-SUPPLIED SPECIFICATIONS; HOWEVER, IT REMAINS THE CUSTOMER'S RESPONSIBILITY TO VERIFY PROPER AND RELIABLE OPERATION IN THE ACTUAL APPLICATION. COMPONENT SUBSTITUTION AND PRINTED CIRCUIT BOARD LAYOUT MAY SIGNIFICANTLY AFFECT CIRCUIT PERFORMANCE OR RELIABILITY. CONTACT LINEAR TECHNOLOGY APPLICATIONS ENGINEERING FOR ASSISTANCE.</p>	CONTRACT NO.	<p>1630 McCarthy Blvd. Milpitas, CA 95035 Phone: (408)432-1900 Fax: (408)434-0507 LTC Confidential-For Customer Use Only</p>					
	APPROVALS						
	PCB DES. MI						
	ENG. TIGER Z.						
THIS CIRCUIT IS PROPRIETARY TO LINEAR TECHNOLOGY AND SUPPLIED FOR USE WITH LINEAR TECHNOLOGY PARTS.	<p><b>TITLE: SCHEMATIC</b></p> <p align="center"><b>ISOLATED MONOLITHIC FLYBACK CONVERTER</b></p>						
	<table border="1"> <tr> <td>SIZE <b>A</b></td> <td>IC NO. <b>LT3574EMS</b></td> <td>REV <b>1-1</b></td> </tr> <tr> <td colspan="2">DATE: Monday, January 11, 2010</td> <td>SHEET 1 OF 1</td> </tr> </table>	SIZE <b>A</b>	IC NO. <b>LT3574EMS</b>	REV <b>1-1</b>	DATE: Monday, January 11, 2010		SHEET 1 OF 1
SIZE <b>A</b>	IC NO. <b>LT3574EMS</b>	REV <b>1-1</b>					
DATE: Monday, January 11, 2010		SHEET 1 OF 1					