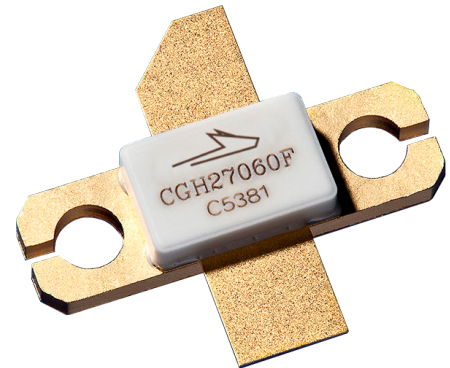


CGH27060F

60 W Peak, 28 V, GaN HEMT for Linear Communications from VHF to 3 GHz

Description

WolfSpeed's CGH27060F is a gallium nitride (GaN) high electron mobility transistor (HEMT) designed specifically for high efficiency, high gain and wide bandwidth capabilities, which makes the CGH27060F ideal for VHF, Comms, 3G, 4G, LTE, 2.3-2.9GHz WiMAX and BWA amplifier applications. The unmatched transistor is supplied in a ceramic/metal flange package.



Package Types: 440193
PN: CGH27060F

Typical Performance Over 2.3-2.7 GHz ($T_c = 25^\circ\text{C}$) of Demonstration Amplifier

Parameter	2.3 GHz	2.4 GHz	2.5 GHz	2.6 GHz	2.7 GHz	Units
Small Signal Gain	15.1	14.7	14.3	14.3	14.5	dB
EVM @ 39 dBm	2.35	2.16	2.01	2.13	2.82	%
Drain Efficiency @ 39 dBm	28.3	27.6	27.3	26.7	26.3	%
Input Return Loss	10.0	7.3	6.0	7.0	10.3	dB

Note:

Measured in the CGH27060F-AMP amplifier circuit, under 802.16 OFDM, 3.5 MHz Channel BW, 1/4 Cyclic Prefix, 64 QAM Modulated Burst, 5ms Burst, Symbol Length of 59, Coding Type RS-CC, Coding Rate Type 2/3, PAR = 9.8 dB @ 0.01% Probability on CCDF

Features

- VHF - 3.0 GHz Operation
- 14 dB Small Signal Gain
- 8.0 W P_{AVE} at < 2.0% EVM
- 27% Drain Efficiency at 8 W Average Power
- WiMAX Fixed Access 802.16-2004 OFDM
- WiMAX Mobile Access 802.16e OFDMA

 Large Signal Models Available for ADS and MWO





Absolute Maximum Ratings (not simultaneous) at 25°C Case Temperature

Parameter	Symbol	Rating	Units	Conditions
Drain-Source Voltage	V_{DS}	120	V	25°C
Gate-to-Source Voltage	V_{GS}	-10, +2		
Storage Temperature	T_{STG}	-65, +150	°C	
Operating Junction Temperature	T_J	225		
Maximum Forward Gate Current	I_{GMAX}	15	mA	25°C
Maximum Drain Current ¹	I_{DMAX}	6	A	
Soldering Temperature ²	T_S	245	°C	
Screw Torque	τ	40	in-oz	
Thermal Resistance, Junction to Case ³	$R_{\theta JC}$	2.8	°C/W	85°C
Case Operating Temperature ³	T_C	-40, +150	°C	

Notes:

¹ Current limit for long term, reliable operation

² Refer to the Application Note on soldering at wolfspeed.com/rf/document-library

³ Measured for the CGH27060F at $P_{DISS} = 56$ W.

Electrical Characteristics ($T_c = 25^\circ\text{C}$)

Characteristics	Symbol	Min.	Typ.	Max.	Units	Conditions
DC Characteristics¹						
Gate Threshold Voltage	$V_{GS(th)}$	-3.5	-3.0	-2.0	V_{DC}	$V_{DS} = 10$ V, $I_D = 14.4$ mA
Gate Quiescent Voltage	$V_{GS(Q)}$	–	-2.7	–		$V_{DS} = 28$ V, $I_{DQ} = 300$ mA
Saturated Drain Current	I_{DS}	11.6	14.0	–	A	$V_{DS} = 6.0$ V, $V_{GS} = 2$ V
Drain-Source Breakdown Voltage	V_{BR}	84	–	–	V_{DC}	$V_{GS} = -8$ V, $I_D = 14.4$ mA
RF Characteristics^{2,3} ($T_c = 25^\circ\text{C}$, $F_0 = 2.5$ GHz unless otherwise noted)						
Small Signal Gain	G_{SS}	11.0	13.0	–	dB	$V_{DD} = 28$ V, $I_{DQ} = 300$ mA
Drain Efficiency ⁴	η	21	24	–	%	$V_{DD} = 28$ V, $I_{DQ} = 300$ mA, $P_{AVE} = 8$ W
Error Vector Magnitude	EVM	–	2.0	–		
Output Mismatch Stress	VSWR	–	–	10:1	Ψ	No damage at all phase angles, $V_{DD} = 28$ V, $I_{DQ} = 300$ mA, $P_{AVE} = 8$ W
Dynamic Characteristics						
Input Capacitance	C_{GS}	–	19.0	–	pF	$V_{DS} = 28$ V, $V_{GS} = -8$ V, $f = 1$ MHz
Output Capacitance	C_{DS}	–	5.9	–		
Feedback Capacitance	C_{GD}	–	0.8	–		

Notes:

¹ Measured on wafer prior to packaging.

² Measured in the CGH27060F-AMP test fixture

³ Under 802.16 OFDM, 3.5 MHz Channel BW, 1/4 Cyclic Prefix, 64 QAM Modulated Burst, 5ms Burst, Symbol Length of 59, Coding Type RS-CC, Coding Rate Type 2/3, PAR = 9.8 dB @ 0.01% Probability on CCDF

⁴ Drain Efficiency = P_{OUT} / P_{DC}



Typical WiMAX Performance

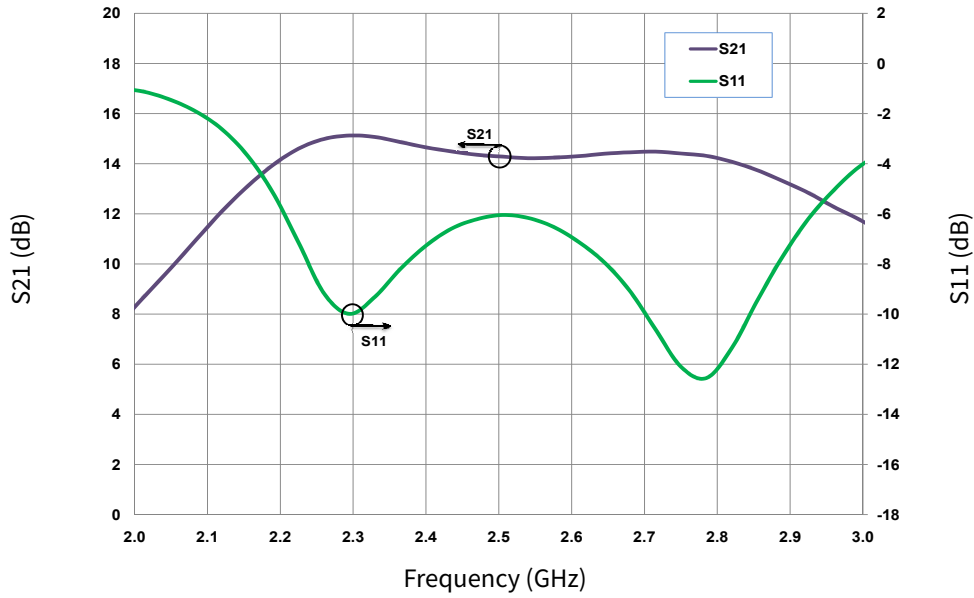


Figure 1. Gain and Return Loss vs Frequency measured in Broadband Amplifier Circuit CGH27060F-AMP
 $V_{DD} = 28\text{ V}$, $I_{DQ} = 300\text{ mA}$

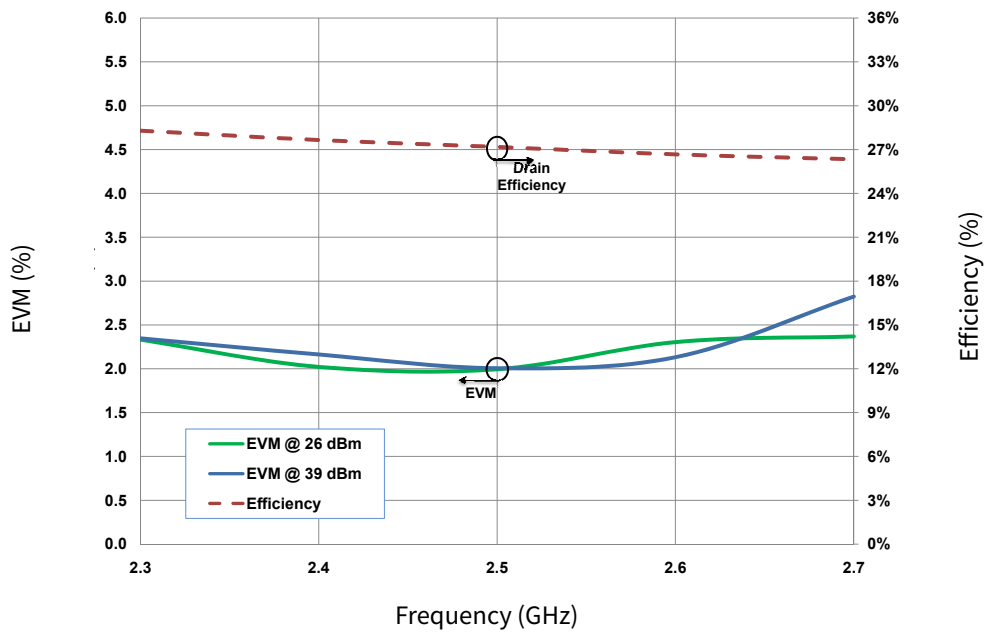


Figure 2. Typical EVM at 24 dBm and 39 dBm vs Frequency measured in Broadband Amplifier Circuit CGH27060F-AMP

Note:
¹ Under 802.16-2004 OFDM, 3.5 MHz Channel BW, 1/4 Cyclic Prefix, 64 QAM Modulated Burst, Symbol Length of 59, Coding Type RS-CC, Coding Rate Type 2/3.



Typical WiMAX Performance

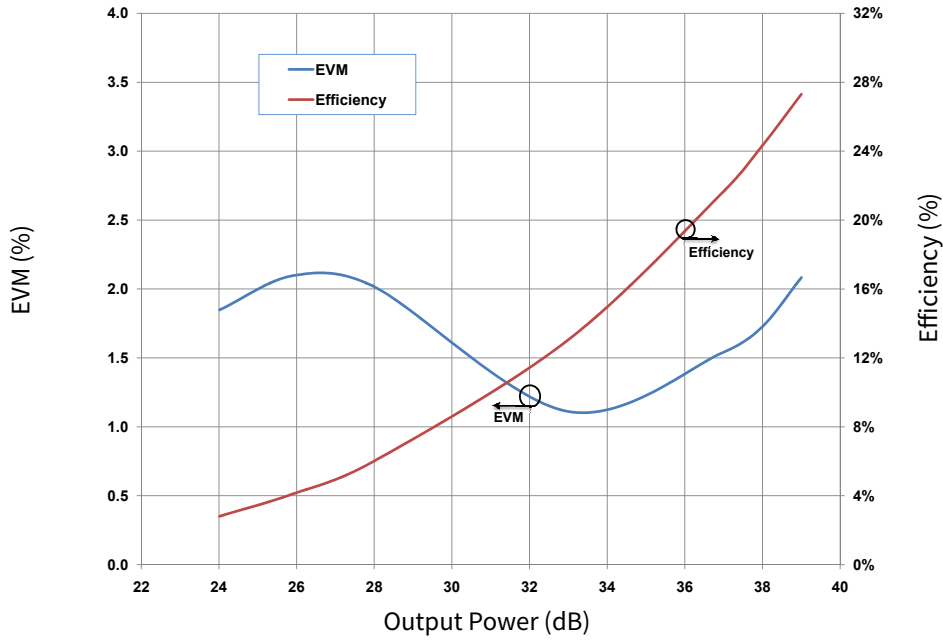


Figure 3. Drain Efficiency and EVM vs Output Power measured in CGH27060F-AMP
 $V_{DD} = 28\text{ V}$, $I_{DQ} = 300\text{ mA}$, 802.16-2004 OFDM, PAR = 9.8 dB

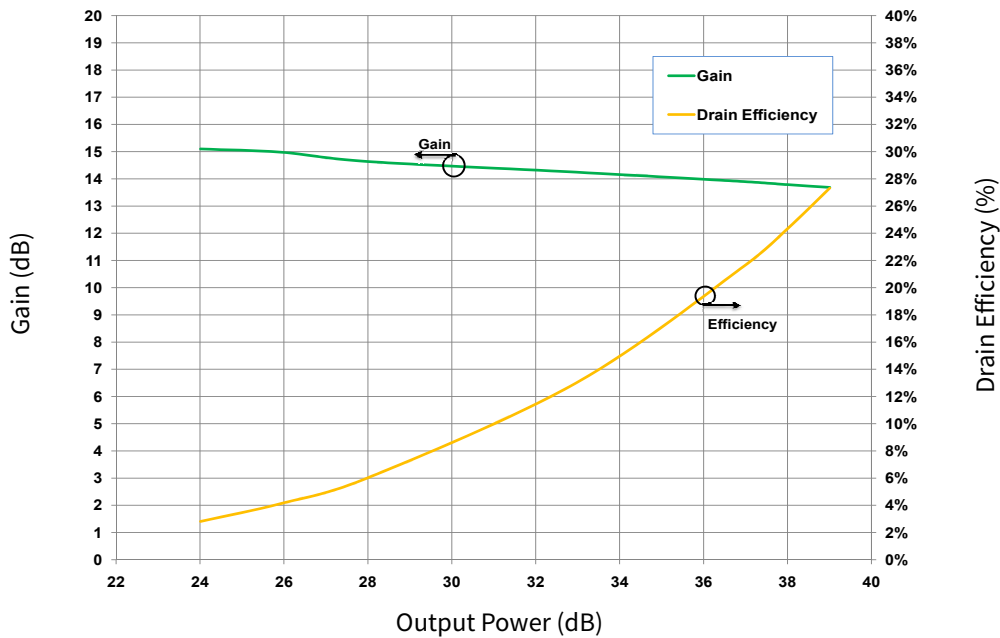


Figure 4. Typical Gain and Efficiency vs Output Power measured in CGH27060F-AMP
 $V_{DD} = 28\text{ V}$, $I_{DQ} = 300\text{ mA}$, 802.16-2004 OFDM, PAR = 9.8 dB

Note:
¹ Under 802.16-2004 OFDM, 3.5 MHz Channel BW, 1/4 Cyclic Prefix, 64 QAM Modulated Burst, Symbol Length of 59, Coding Type RS-CC, Coding Rate Type 2/3.



Typical Performance

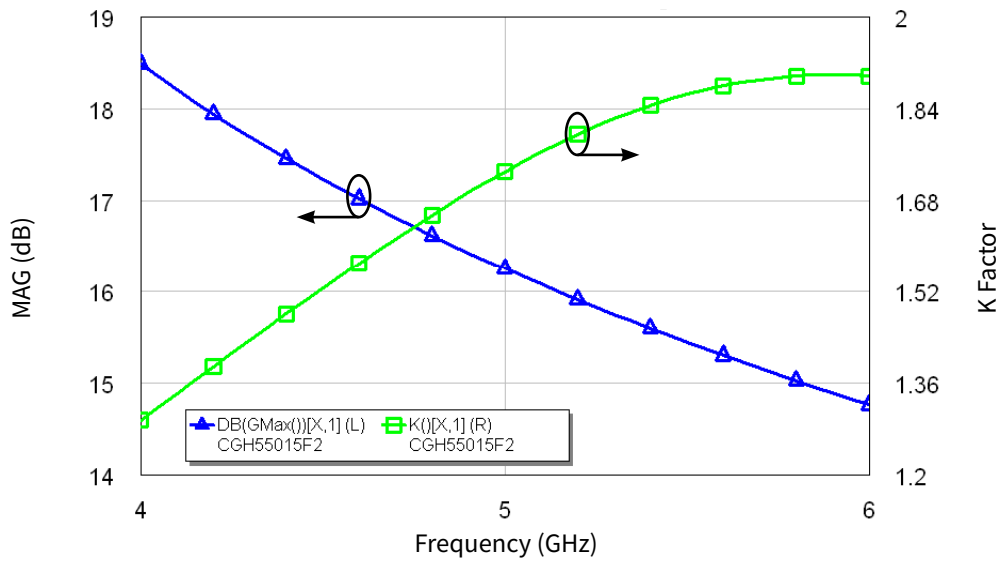


Figure 5. Simulated Maximum Available Gain and K Factor of the CGH27060F
 $V_{DD} = 28\text{ V}$, $I_{DQ} = 300\text{ mA}$

Typical Noise Performance

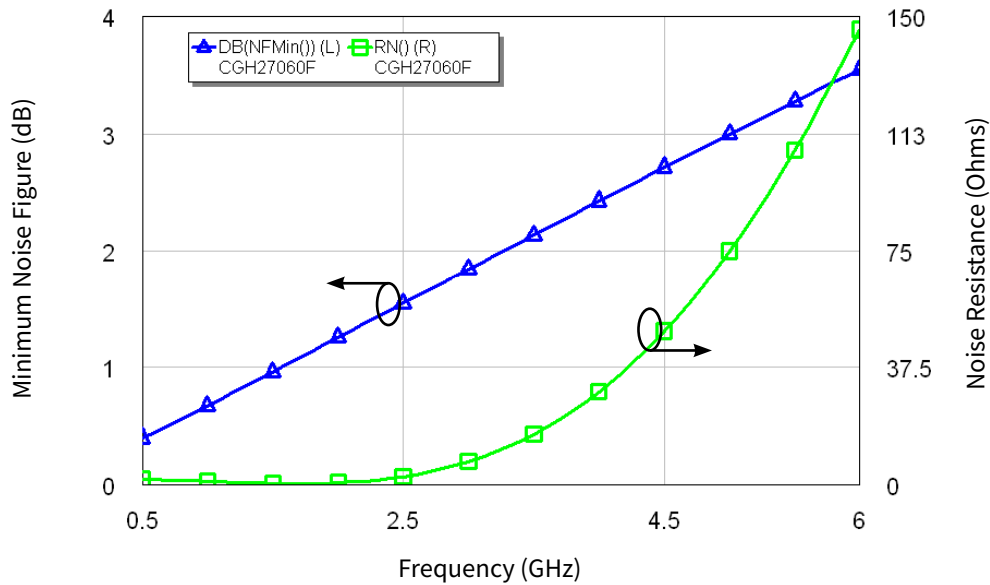


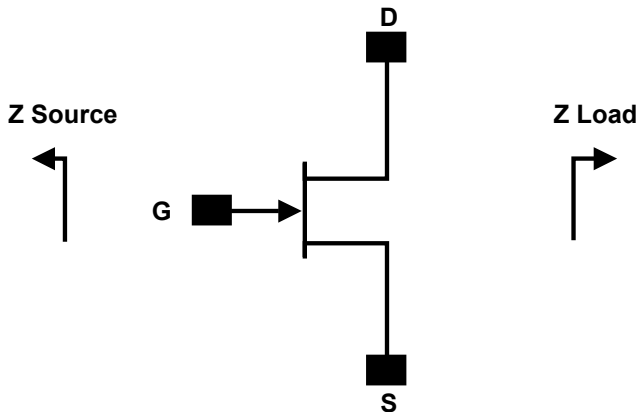
Figure 6. Simulated Minimum Noise Figure and Noise Resistance vs Frequency of the CGH27060
 $V_{DD} = 28\text{ V}$, $I_{DQ} = 100\text{ mA}$

Electrostatic Discharge (ESD) Classifications

Parameter	Symbol	Class	Classification Level	Test Methodology
Human Body Model	HBM	TBD	ANSI/ESDA/JEDEC JS-001 Table 3	JEDEC JESD22 A114-D
Charge Device Model	CDM	TBD	ANSI/ESDA/JEDEC JS-002 Table 3	JEDEC JESD22 C101-C



Source and Load Impedances



Frequency	Z Source	Z Lead
500	$3.34 + j4.56$	$10.8 - j8.24$
1000	$2.07 - j0.05$	$6.18 - j4.17$
2000	$1.3 - j3.37$	$4.65 - j0.05$
3000	$1.64 - j8.15$	$4.75 - j3.4$
4000	$1.9 - j10.8$	$4.56 - j7.9$

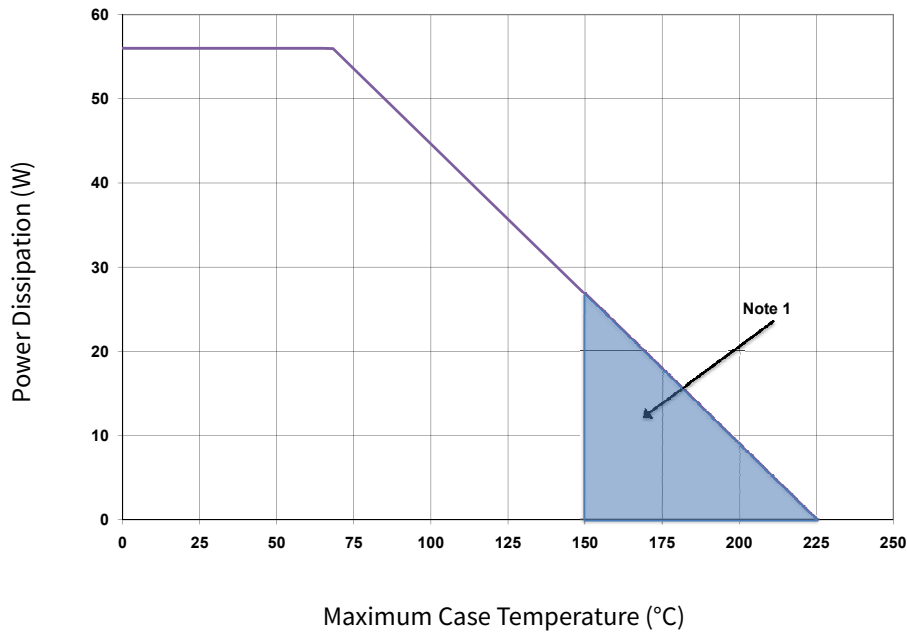
Notes:

¹ $V_{DD} = 28V, I_{DQ} = 300mA$ in the 440193 package

² Optimized for P_{SAT} and PAE

³ When using this device at low frequency, series resistors should be used to maintain amplifier stability

CGH27060F Power Dissipation De-rating Curve



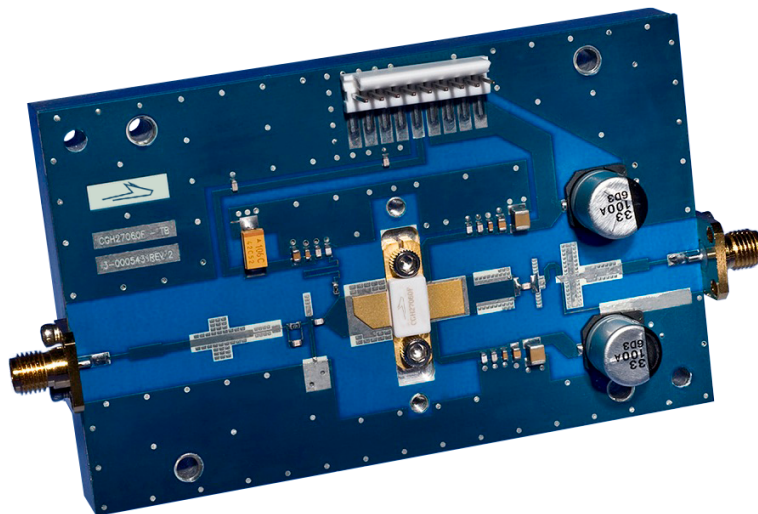
Note: Area exceeds Maximum Case Operating Temperature (See Page 2)



CGH27060F-AMP Demonstration Amplifier Circuit Bill of Materials

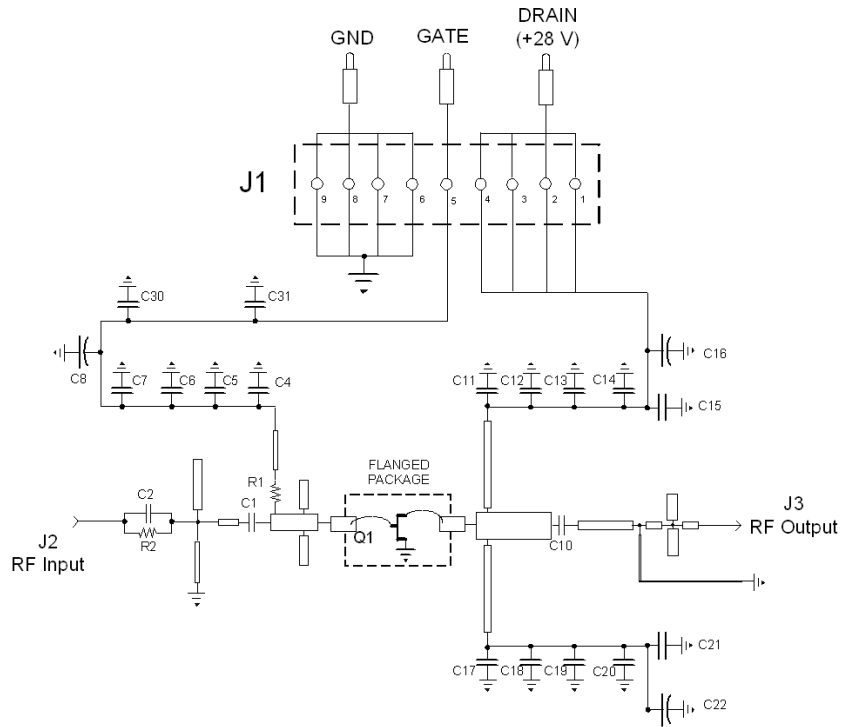
Designator	Description	Qty
R1	RES, 1/16W, 0603, 1%, 5.1 OHMS	1
R2	RES, 1/16W, 0603, 1%, 100 OHMS	1
C6, C13, C19	CAP, 470pF, 10%, 100V, 0603	3
C16, C22	CAP, 33μF, 20%, G CASE	1
C15, C21	CAP, 1.0μF, 100V, 10%, X7R, 1210	1
C8	CAP 10μF 16V TANTALUM	1
C10	CAP, 8.2pF, +/-5%, 100B	1
C1	CAP, 0.9pF, +/-0.05pF, 0603	1
C2	CAP, 2.2pF, +/-0.1pF, 0603	1
C10, C11, C17	CAP, 10.0pF, +/-5%, 0603	3
C5, C12, C18, C30, C31	CAP, 82pF, +/-5%, 0603	5
C7, C14, C20	CAP, 33000pF, 0805, 100V, X7R	3
J2, J3	CONN SMA STR PANEL JACK RECP	1
J1	HEADER RT>PLZ .1CEN LK 9POS	1
-	PCB, RO4350B, Er = 3.48, h = 20 mil	1
-	CGH27060F	1

CGH27060F-AMP Demonstration Amplifier Circuit

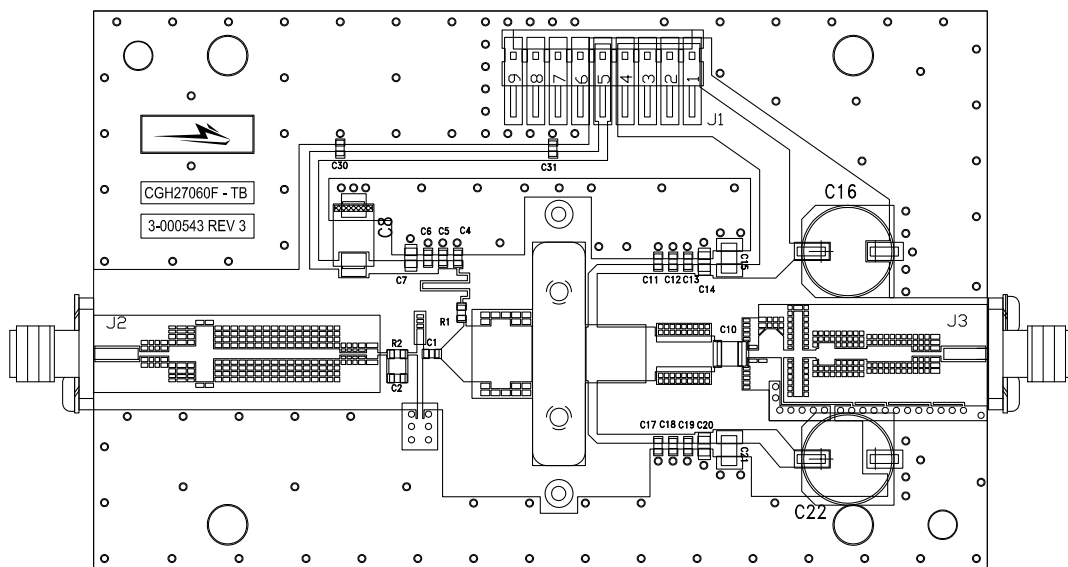




CGH27060F-AMP Demonstration Amplifier Circuit Schematic



CGH27060F-AMP Demonstration Amplifier Circuit Outline





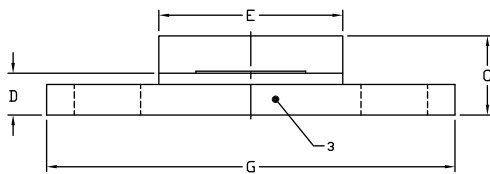
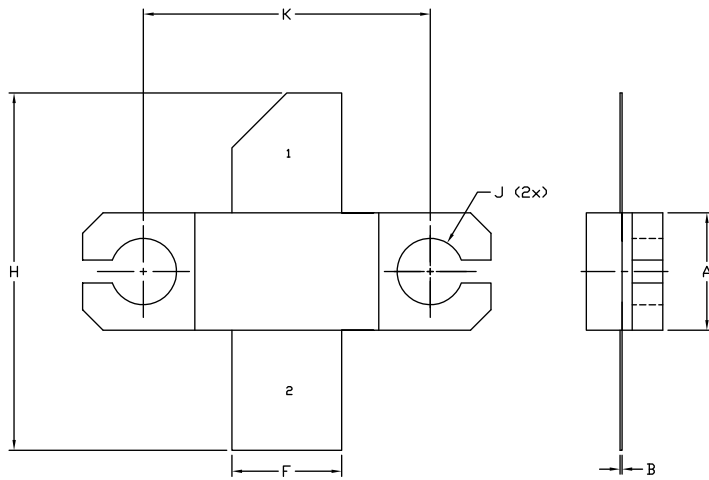
Typical Package S-Parameters for CGH27060F
(Small Signal, $V_{DS} = 28\text{ V}$, $I_{DQ} = 300\text{ mA}$, angle in degrees)

Frequency	Mag S11	Ang S11	Mag S21	Ang S21	Mag S12	Ang S12	Mag S22	Ang S22
500 MHz	0.935	-171.10	7.31	80.30	0.013	-4.81	0.629	-171.50
600 MHz	0.935	-173.48	6.08	76.43	0.013	-7.68	0.635	-171.81
700 MHz	0.936	-175.34	5.20	72.85	0.013	-10.25	0.642	-171.96
800 MHz	0.937	-176.87	4.54	69.47	0.013	-12.62	0.649	-172.04
900 MHz	0.937	-178.19	4.03	66.24	0.013	-14.82	0.656	-172.11
1.0 GHz	0.938	-179.38	3.62	63.13	0.013	-16.89	0.664	-172.18
1.1 GHz	0.939	179.54	3.28	60.12	0.013	-18.84	0.672	-172.28
1.2 GHz	0.939	178.52	3.00	57.20	0.012	-20.69	0.680	-172.42
1.3 GHz	0.940	177.55	2.77	54.36	0.012	-22.44	0.688	-172.60
1.4 GHz	0.941	176.60	2.57	51.59	0.012	-24.10	0.695	-172.83
1.5 GHz	0.942	175.68	2.39	48.89	0.012	-25.67	0.703	-173.11
1.6 GHz	0.942	174.77	2.24	46.24	0.012	-27.15	0.710	-173.42
1.7 GHz	0.943	173.87	2.11	43.66	0.012	-28.56	0.718	-173.78
1.8 GHz	0.943	172.96	2.00	41.12	0.011	-29.88	0.724	-174.18
1.9 GHz	0.944	172.04	1.90	38.63	0.011	-31.12	0.731	-174.61
2.0 GHz	0.944	171.11	1.81	36.19	0.011	-32.29	0.737	-175.07
2.1 GHz	0.944	170.16	1.73	33.78	0.011	-33.39	0.743	-175.57
2.2 GHz	0.944	169.19	1.67	31.41	0.011	-34.42	0.748	-176.10
2.3 GHz	0.945	168.19	1.61	29.06	0.011	-35.38	0.753	-176.65
2.4 GHz	0.944	167.16	1.55	26.74	0.010	-36.28	0.758	-177.23
2.5 GHz	0.944	166.10	1.51	24.43	0.010	-37.11	0.762	-177.83
2.6 GHz	0.944	165.00	1.47	22.14	0.010	-37.88	0.765	-178.45
2.7 GHz	0.944	163.85	1.43	19.85	0.010	-38.60	0.769	-179.10
2.8 GHz	0.943	162.64	1.41	17.56	0.010	-39.27	0.771	-179.77
2.9 GHz	0.942	161.38	1.38	15.27	0.010	-39.90	0.774	179.54
3.0 GHz	0.941	160.06	1.36	12.96	0.010	-40.48	0.776	178.82
3.2 GHz	0.939	157.18	1.34	8.27	0.010	-41.54	0.778	177.32
3.4 GHz	0.935	153.93	1.33	3.43	0.010	-42.52	0.779	175.73
3.6 GHz	0.931	150.21	1.34	-1.65	0.010	-43.50	0.778	174.01
3.8 GHz	0.925	145.88	1.37	-7.06	0.010	-44.60	0.774	172.17
4.0 GHz	0.916	140.74	1.43	-12.95	0.011	-45.95	0.769	170.17
4.2 GHz	0.906	134.55	1.50	-19.47	0.011	-47.77	0.760	167.98
4.4 GHz	0.891	126.90	1.61	-26.85	0.012	-50.32	0.749	165.56
4.6 GHz	0.872	117.26	1.75	-35.39	0.013	-53.96	0.733	162.84
4.8 GHz	0.848	104.85	1.92	-45.48	0.014	-59.15	0.713	159.74
5.0 GHz	0.817	88.57	2.14	-57.60	0.016	-66.44	0.688	156.11
5.2 GHz	0.784	67.16	2.37	-72.25	0.018	-76.37	0.654	151.74
5.4 GHz	0.759	39.85	2.58	-89.71	0.020	-89.30	0.609	146.35
5.6 GHz	0.757	8.00	2.70	-109.65	0.021	-104.92	0.546	139.55
5.8 GHz	0.788	-24.14	2.67	-130.98	0.022	-122.14	0.460	130.98
6.0 GHz	0.836	-52.18	2.49	-152.33	0.021	-139.60	0.347	119.94

To download the s-parameters in s2p format, go to the [CGH27060F Product Page](#) and click on the documentation tab.



Product Dimensions CGH27060F (Package Type — 440193)



NOTES:

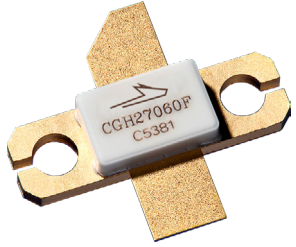
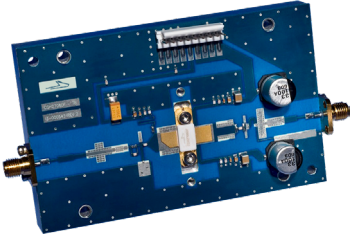
1. DIMENSIONING AND TOLERANCING PER ANSI Y14.5M, 1982.
2. CONTROLLING DIMENSION: INCH.
3. ADHESIVE FROM LID MAY EXTEND A MAXIMUM OF 0.020" BEYOND EDGE OF LID.
4. LID MAY BE MISALIGNED TO THE BODY OF THE PACKAGE BY A MAXIMUM OF 0.008" IN ANY DIRECTION.
5. ALL PLATED SURFACES ARE Ni/AU

DIM	INCHES		MILLIMETERS	
	MIN	MAX	MIN	MAX
A	0.225	0.235	5.72	5.97
B	0.004	0.006	0.10	0.15
C	0.145	0.165	3.68	4.19
D	0.077	0.087	1.96	2.21
E	0.355	0.365	9.02	9.27
F	0.210	0.220	5.33	5.59
G	0.795	0.805	20.19	20.45
H	0.670	0.730	17.02	18.54
J	∅ .130		3.30	
k	0.562		14.28	

- PIN 1. GATE
 PIN 2. DRAIN
 PIN 3. SOURCE



Product Ordering Information

Order Number	Description	Unit of Measure	Image
CGH27060F	GaN HEMT	Each	 A photograph of a GaN HEMT device. It consists of a small, rectangular, light-colored ceramic package with a white top surface. The top surface is marked with the part number 'CGH27060F' and the manufacturer code 'C5381'. The package is mounted on a gold-colored metal carrier with two circular mounting holes.
CGH27060F-AMP	Test board with GaN HEMT installed	Each	 A photograph of a blue printed circuit board (PCB) test board. The board is populated with various electronic components, including a central GaN HEMT device, several integrated circuits, and surface-mount components. It features two SMA connectors on the left side and a BNC connector on the right side.

**For more information, please contact:**

4600 Silicon Drive
Durham, NC 27703 USA
Tel: +1.919.313.5300
www.wolfspeed.com/RF

Sales Contact
RFSales@wolfspeed.com

RF Product Marketing Contact
RFMarketing@wolfspeed.com

Notes & Disclaimer

Specifications are subject to change without notice. “Typical” parameters are the average values expected by Wolfspeed in large quantities and are provided for information purposes only. Wolfspeed products are not warranted or authorized for use as critical components in medical, life-saving, or life-sustaining applications, or other applications where a failure would reasonably be expected to cause severe personal injury or death. No responsibility is assumed by Wolfspeed for any infringement of patents or other rights of third parties which may result from use of the information contained herein. No license is granted by implication or otherwise under any patent or patent rights of Wolfspeed.

©2015-2022 Wolfspeed, Inc. All rights reserved. Wolfspeed® and the Wolfstreak logo are registered trademarks and the Wolfspeed logo is a trademark of Wolfspeed, Inc.
PATENT: <https://www.wolfspeed.com/legal/patents>

The information in this document is subject to change without notice.