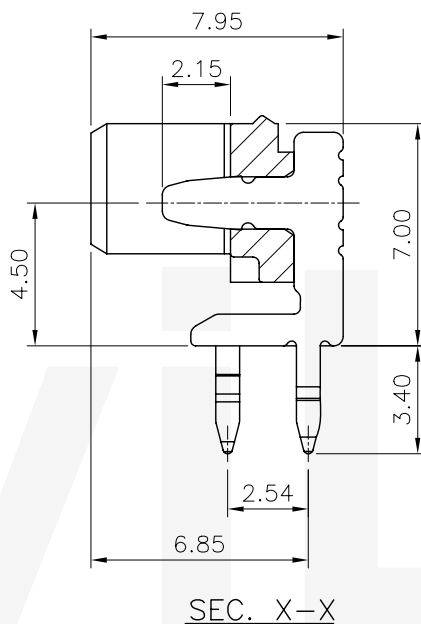


Material:

\* Insulation:

Base: Nylon 6T +30% G.F UL 94V-0 (無鹵材質)

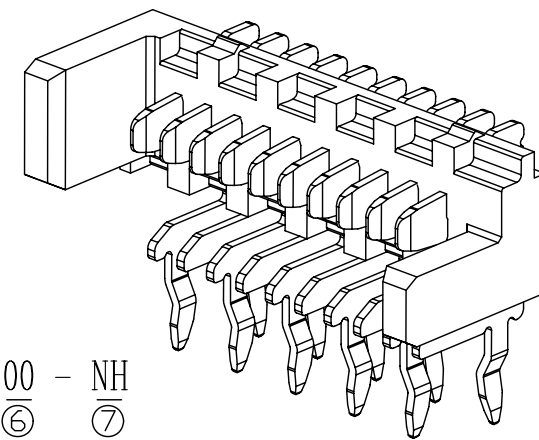
Contact: Brass



Ordering Code:

CA35 \*\* H 1 1 00 - NH  
 ① ② ③ ④ ⑤ ⑥ ⑦

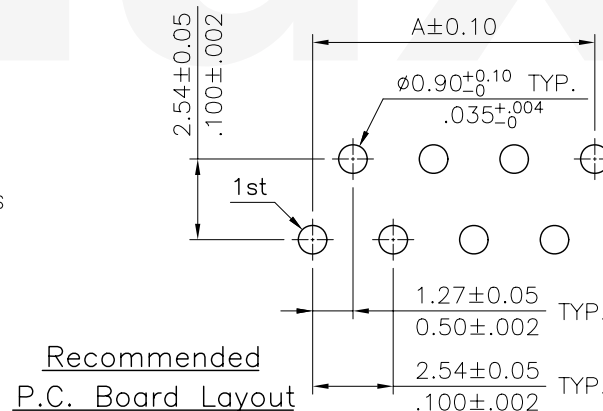
- ① Series No.:
- ② No. of Circuits: 04 to 26
- ③ Contacts Type: H= DIP Right Angle Type
- ④ Plating option:  
1= Tin over Nickel plated  
(Matte Tin plated)
- ⑤ Color: 1= Black
- ⑥ Option: 00= Standard
- ⑦ NH= For Lead Free IR Processes and Halogen-Free



DIM.A= 1.27 x No. of Spaces

DIM.B= DIM.A + 5.05

\*Available in 4 ~ 26 Circuits



Halogen-Free

Lead Free Process

RoHS Compliant

Recommended  
P.C. Board Layout

|     |      |      |  |                    |          |   |   |                                    |                         |
|-----|------|------|--|--------------------|----------|---|---|------------------------------------|-------------------------|
| ④   |      |      |  |                    | DATE     | UNIT: mm / inch                         | TITLE: 1.27mm Pitch<br>DIP R/A Type Connector | <br>瀚荃股份有限公司<br>CviLux Corporation |                         |
| ③   |      |      |  | DRAWN BY: Clark    | 1/15-10' | TOLERANCE<br>UNLESS OTHERWISE SPECIFIED | MATERIAL:                                     |                                    |                         |
| ②   |      |      |  | ENGINEER: Clark    | 1/18-10' | .X ± 0.30/012 X: ± 1'                   | FINISH:                                       |                                    |                         |
| ①   |      |      |  | CHECKED BY: Eisley | 1/22-10' | .XX ± 0.20/008 .X: ±                    | DRAWING NO. CA3503SA                          |                                    | PART NO. CA35**H1100-NH |
| SYM | NAME | DATE |  | APPROVED BY: David | 1/22-10' | .XXX ± 0.10/004 .XX: ±                  | SCALE 4 / 1                                   |                                    | SHEET 1 OF 1            |