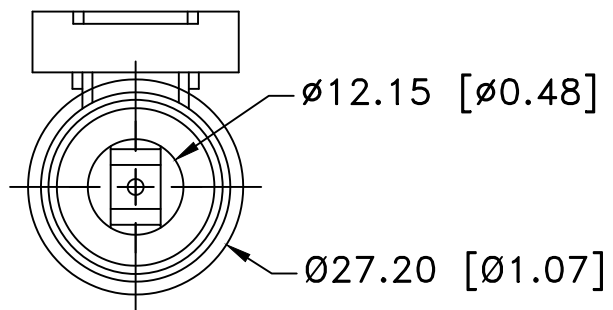
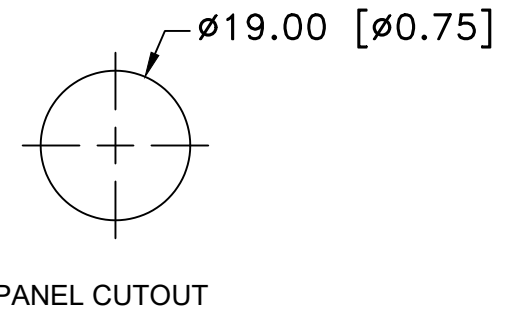
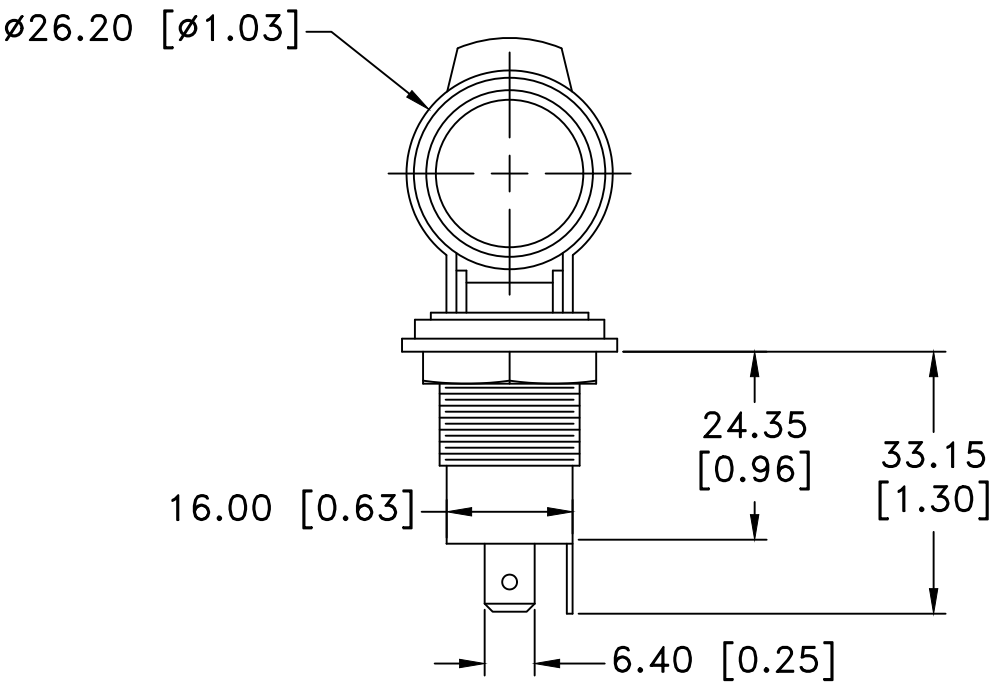



Date	SYM	REVISION RECORD	AUTH	DR.	CK.



MATERIAL SPECIFICATION:  
 COVER: SPRING LOADED DUST PROOF, ANTI SPLASH CAP  
 BODY: ALUMINUM  
 TERMINALS: 0.250" QUICK CONNECT  
 RATING: 12V, 15AMP  
 ROHS 2 COMPLIANT

Tolerance (Except as noted)	 <b>Memory Protection Devices, Inc</b> 200 Broad Hollow Road, Farmingdale, New York 11735		
	decimal $\pm .5$ (.020)	Scale	Drawn By B.S. Approved By T.B.
Fractional $\pm .8$ (.030)	Title		
Angular $\pm 3^\circ$	Date 10/30/18	Drawing Number AS210	