



Since 1959

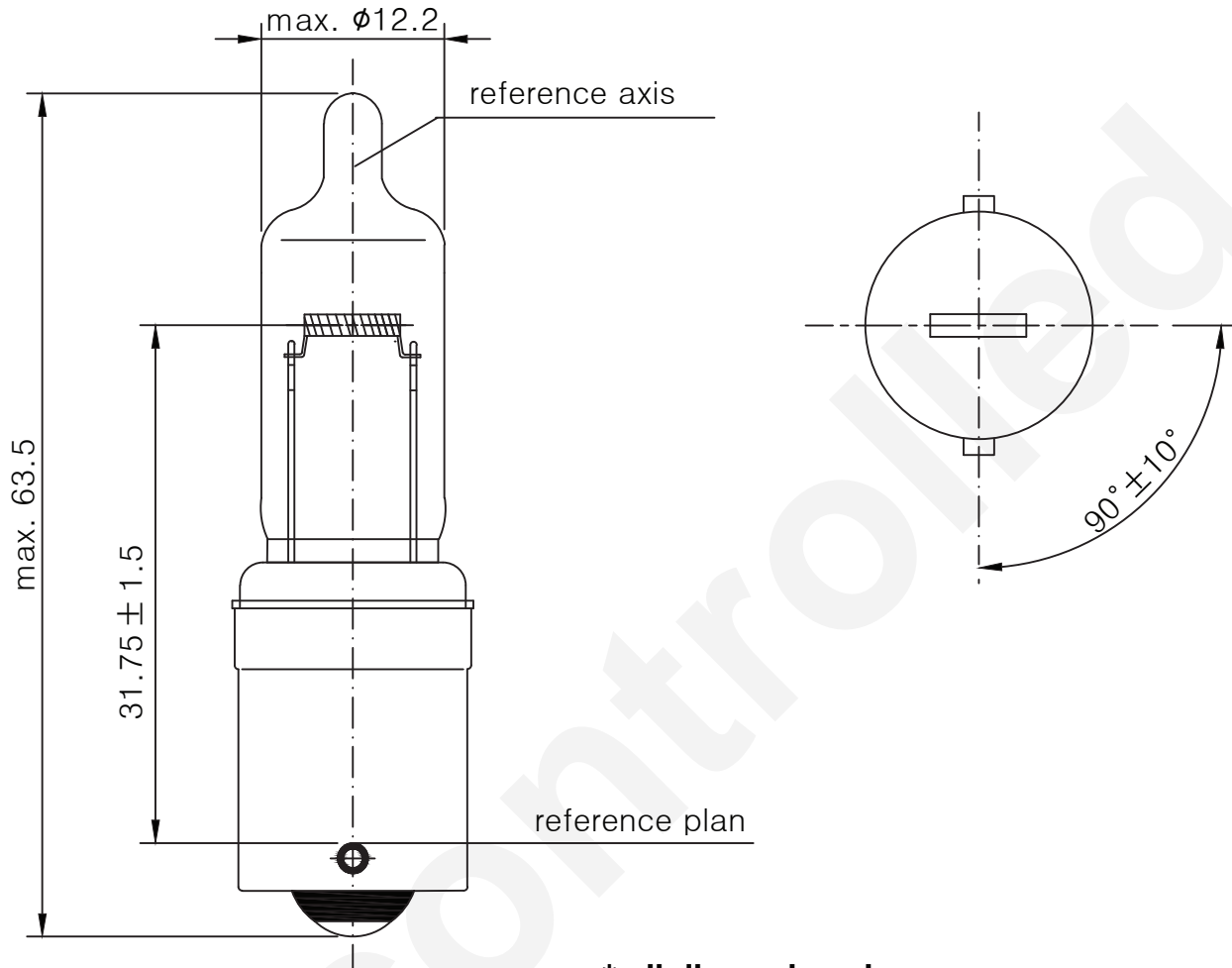
Product Information Sheet

795 12V 50W

No.: 795

2009. 10. 22 NEW

2009. 05. 13 OLD



**\* all dimensions in mm**

Halogen bulb	
795 12V 50W	
Cap: <sup>1)</sup>	BA15s
Type:	795
ECE R37	None
FMVSS108	None
Bulb mat.: Hardglass	
Made in korea / INCHEON	

1) according to IEC 61-1 sheet 7004-11D-1

Technical data	
Test voltage	12.8V
Power	56W max
Luminous flux	1350lm $\pm$ 20%
Lumen maintenance	90 % min
Rated life:	at 14.0V -Average 200hr
Maximum operating temperature:	bulb 650°C max pinch 400°C max
Operating position	horizontal