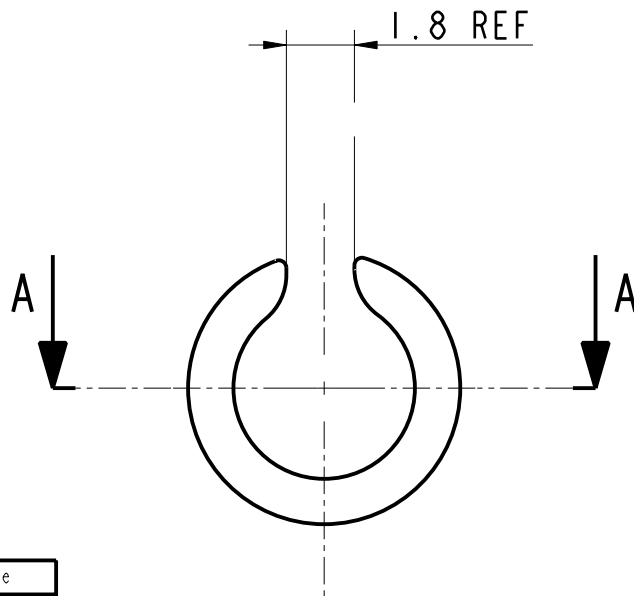
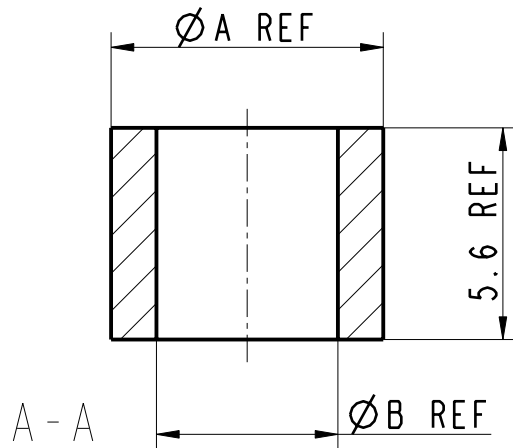


Product number	A	B	Material
72833-201	7.20	4.80	Polypropene polymer, black
72833-202	7.70	5.80	Polypropene polymer, natural



rev	ecn no	dr	date
B	B20112	BB	2002-06-30
C	LS06-0208	LGO	2006-12-12
-	-	-	-
-	-	-	-
-	-	-	-
-	-	-	-

CONVERSION ACCORDING GS-STANDARDS

www.fciconnect.com		surface ISO 1302	<input checked="" type="checkbox"/>	tolerance std ISO 406 ISO 1101	projection 	mm 
		TOLERANCES UNLESS OTHERWISE SPECIFIED				
Dr	B.Beirinckx	2002-06-30	ANGULAR	0.X	±0.3	size A4
Eng	G.Nys	2002-06-30	LINEAR	0.XX	±0.1	Scale 5:1
Chr	W.Panis	2002-06-30		0° ±2°	0.XXX	±0.05
Appr	W.Panis	2002-06-30	Product family		SOFIX SHIELDED I/O	Spec ref -

	title	DISTANCE SLEEVE	dwg no	72833C	Rev.	C
	catalog no	72833-20x	CUSTOMER COPY		sheet 1 of 1	

REV F - 2006-04-17



Copyright FCI.