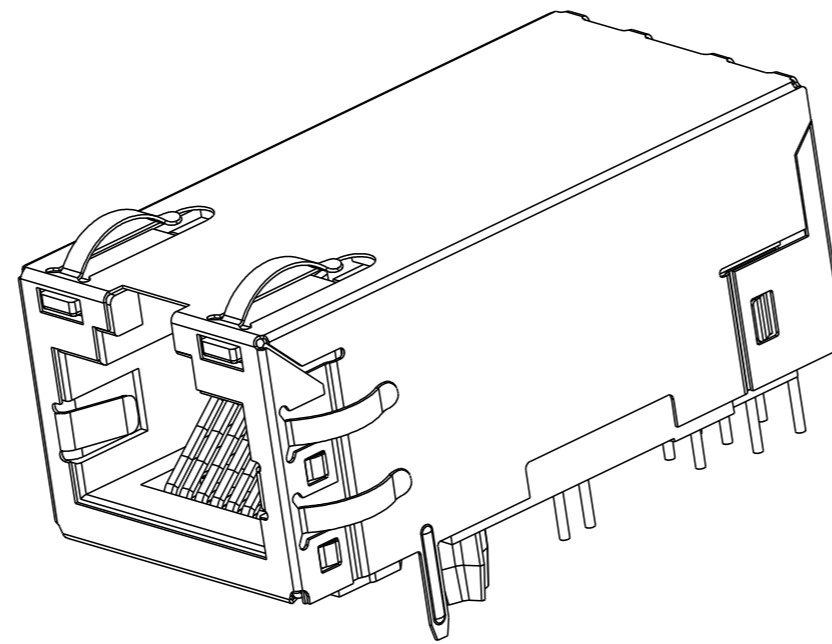
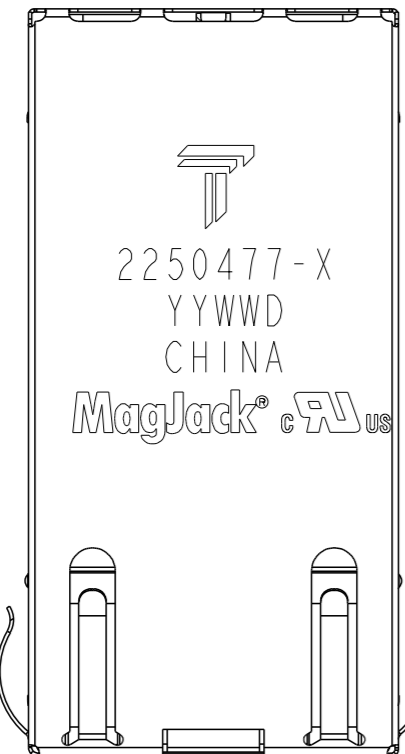


THIS DRAWING AND THE SUBJECT MATTER SHOWN THEREON ARE CONFIDENTIAL AND THE PROPERTY OF BEL/STEWART/TRP CONNECTOR AND SHALL NOT BE REPRODUCED, COPIED, OR USED IN ANY MANNER WITHOUT THE WRITTEN CONSENT OF TRP CONNECTOR.

PRODUCT MAY BE PROTECTED BY ONE OR MORE OF THE FOLLOWING US PATENTS:
 5736910 5939955 6425781 6428361 6554638 6840817 7123117
 7429195 7717749 7808751 6217391 6149050 7924130

REVISIONS				
P	LTR	DESCRIPTION	DATE	APVD
1		INITIAL RELEASE	30NOV2016	TRY TY



1. MATERIALS

HOUSING: THERMOPLASTIC, BLACK, FLAMMABILITY RATING UL 94V-0
 SHIELD: STAINLESS STEEL, 0.15mm THICK, PREPLATED WITH MIN 0.76μm SEMI-BRIGHT NICKEL POST DIPPED WITH 2.54μm MIN SAC SOLDER AT GROUND PINS.
 CONTACT: PHOSPHOR BRONZE, 0.46mmX0.30mm WITH 1.27μm MIN OVERALL NICKEL UNDERPLATE AND SELECTIVE 1.27μm MIN GOLD PLATING AT MATING INTERFACE.

2. MAGNETICS

-APPLICATION: 5G BASE-T 4PPoE EXTENDED TEMPERATURE
 -IMPEDANCE: 100 OHMS
 -TURNS RATIO (CHIP:CABLE): 1:1 ALL FOUR PAIRS
 -OPEN CIRCUIT INDUCTANCE (OCL) ALL FOUR PAIRS:
 180uH MIN @100kHz, 0.1VRMS, 8mA DC BIAS FROM -40°C TO 85°C,
 120uH MIN @100kHz, 0.1VRMS, 19mA DC BIAS FROM -40°C TO 85°C,
 -ALL FOUR PAIRS BI-DIRECTIONAL
 -PoE CURRENT: 600mADC MAX
 -ISOLATION VOLTAGE: 2250VDC FOR 60 SECONDS WITH A RISE TIME OF 500V/SEC.

3. OPERATING TEMPERATURE: -40°C TO 85°C

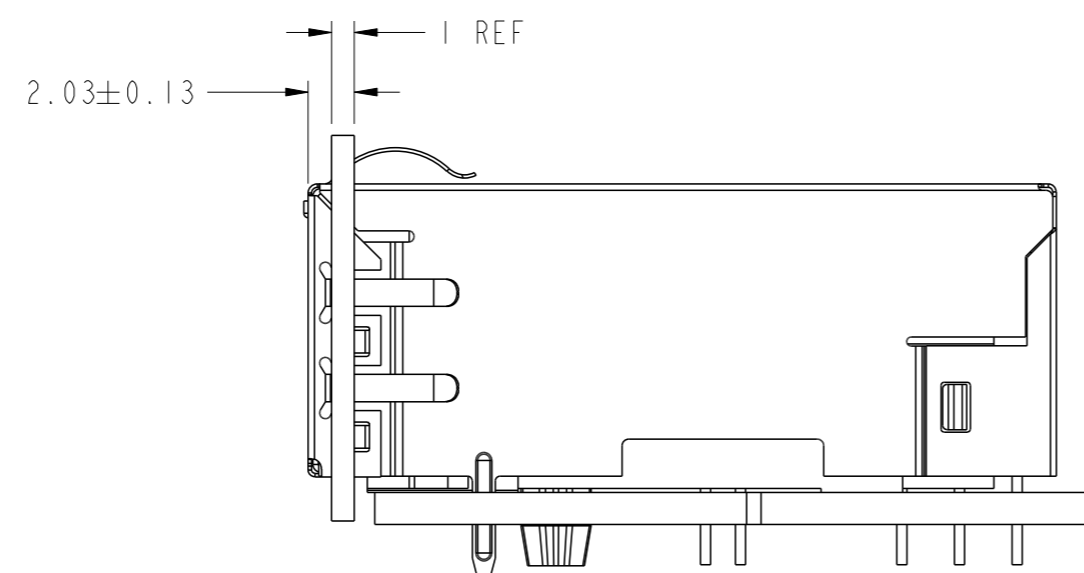
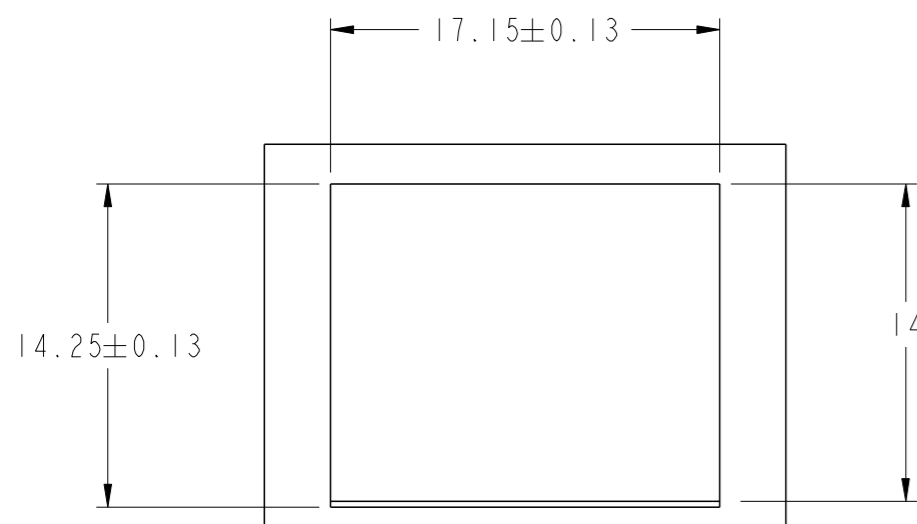
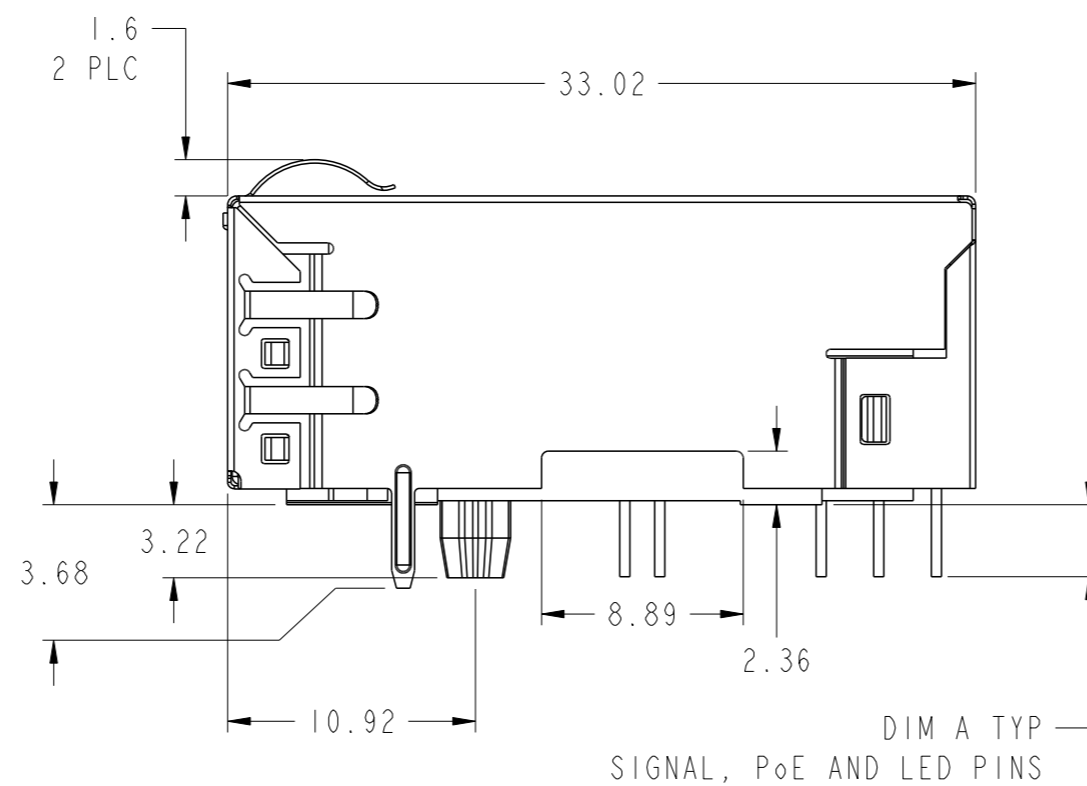
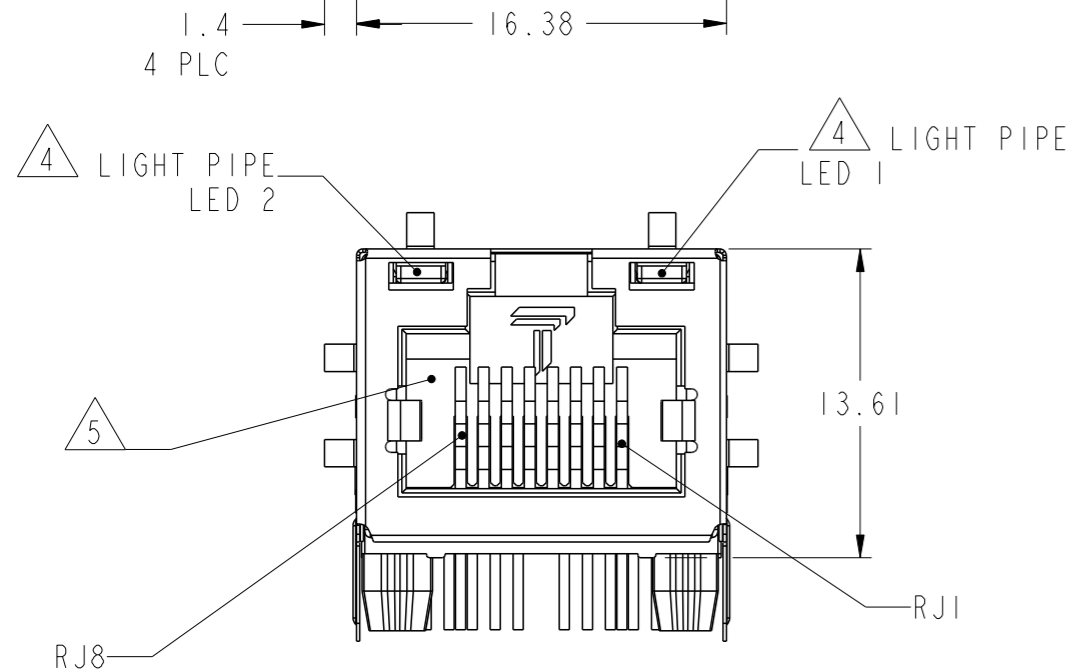
4. LIGHT PIPES ARE USED TO TRANSMIT LIGHT OF LED.

LEDS ARE DRIVEN WITH CONSTANT CURRENT AT APPROX 20mA.
 LED COLOR: DOMINANT WAVELENGTH (λ D): GREEN 567nm TYP. at IF=20mA
 FORWARD VOLTAGE (VF): GREEN 2.2V TYP. at IF=20mA
 DOMINANT WAVELENGTH (λ D): YELLOW 587nm TYP. at IF=20mA
 FORWARD VOLTAGE (VF): YELLOW 2.1V TYP. at IF=20mA
 DOMINANT WAVELENGTH (λ D): ORANGE 605 nm TYP @ IF=20 mA
 FORWARD VOLTAGE (VF): ORANGE 2.1V TYP @ IF=20 mA

5. RJ45 CAVITY CONFORMS TO FCC RULES AND REGULATION PART 68 SUBPART F.

6. TRP CONNECTOR LOGO, PART NUMBER, DATE CODE, COUNTRY OF ORIGIN, AGENCY APPROVAL MARKING IN APPROPRIATE LOCATION SHOWN. DATE CODE: YYWWD "YY" IS YEAR, "WW" IS WORK WEEK, "D" IS DAY OF WEEK, WITH SUNDAY=1.

7. PART SHOULD BE RECOMMENDED FOR WAVE SOLDERING PROCESS, PEAK WAVE SOLDERING TEMPERATURE IS 260°C, 10 SECOND MAX.

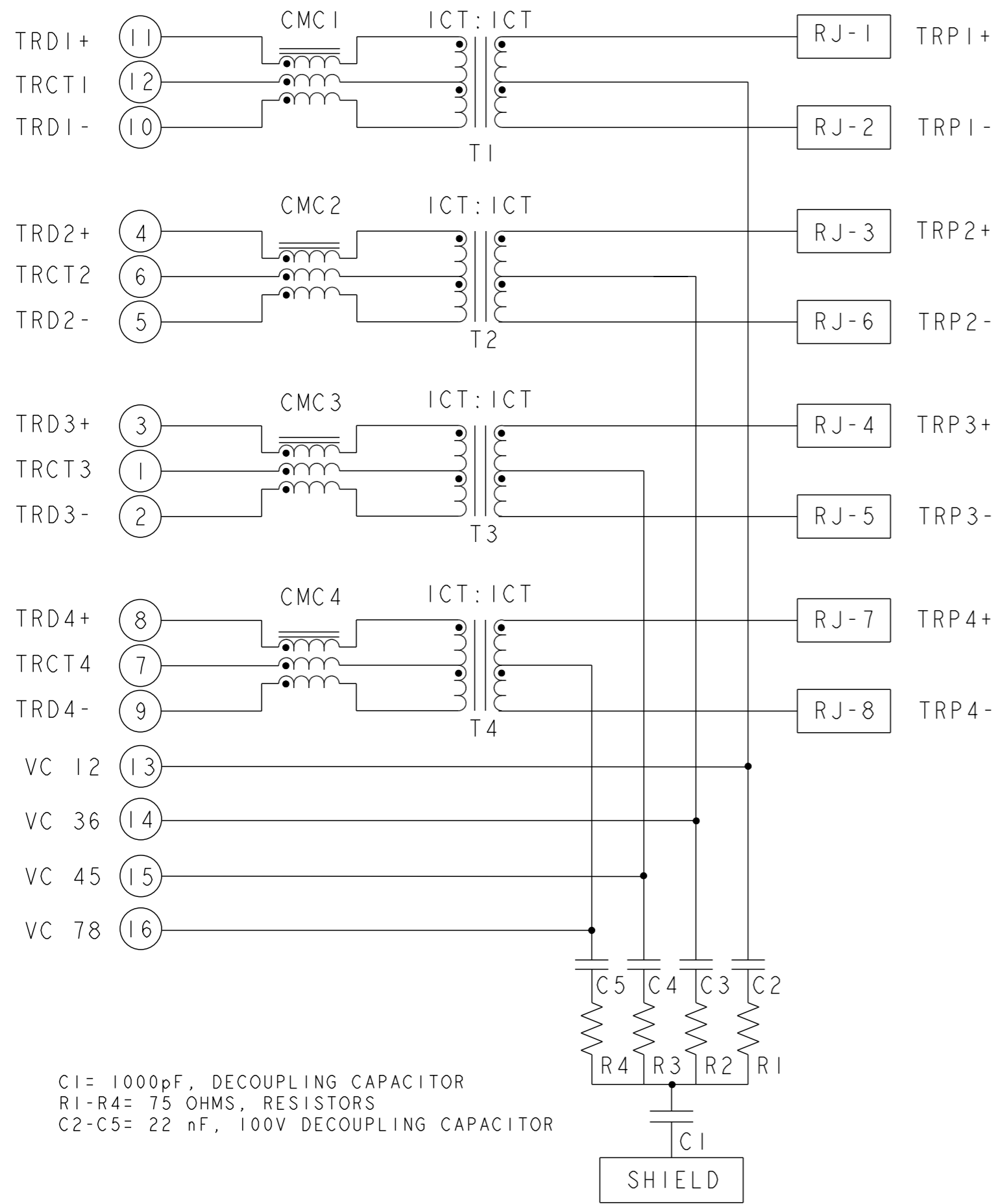


CONNECTOR ASSEMBLED TO PANEL AND PCB

3.18	ORANGE	GREEN	-	YELLOW	2250477-1
DIM A	20-19	20-19	18-17	18-17	PART NUMBER
	LED 2		LED 1		

THIS DRAWING IS A CONTROLLED DOCUMENT, AND COMPLIANT TO ASME Y14.5M		DWN TOWER YU / XENIA WANG 30NOV2016	trp CONNECTOR a bel group DONGGUAN CHINA	
DIMENSIONS: mm		CHK BILL LIU 30NOV2016		
TOLERANCES UNLESS OTHERWISE SPECIFIED:		APVD TONY YUAN 30NOV2016	DESC IXI 7HFG02ET 5GIGABIT 4PPoE TAB UP, W/ LEDS	
0 PLC ±		MODEL NAME	SIZE A2	
1 PLC ±0.25		MAGJACK	CAGE CODE	
2 PLC ±0.25		SINGLE 4PPOE	DRAWING NO C-2250477	
3 PLC ±0.25			RESTRICTED TO	
4 PLC ±			SCALE NTS	
ANGLES ±			SHEET 1 OF 3	
APPLICATION SPEC			REV 1	

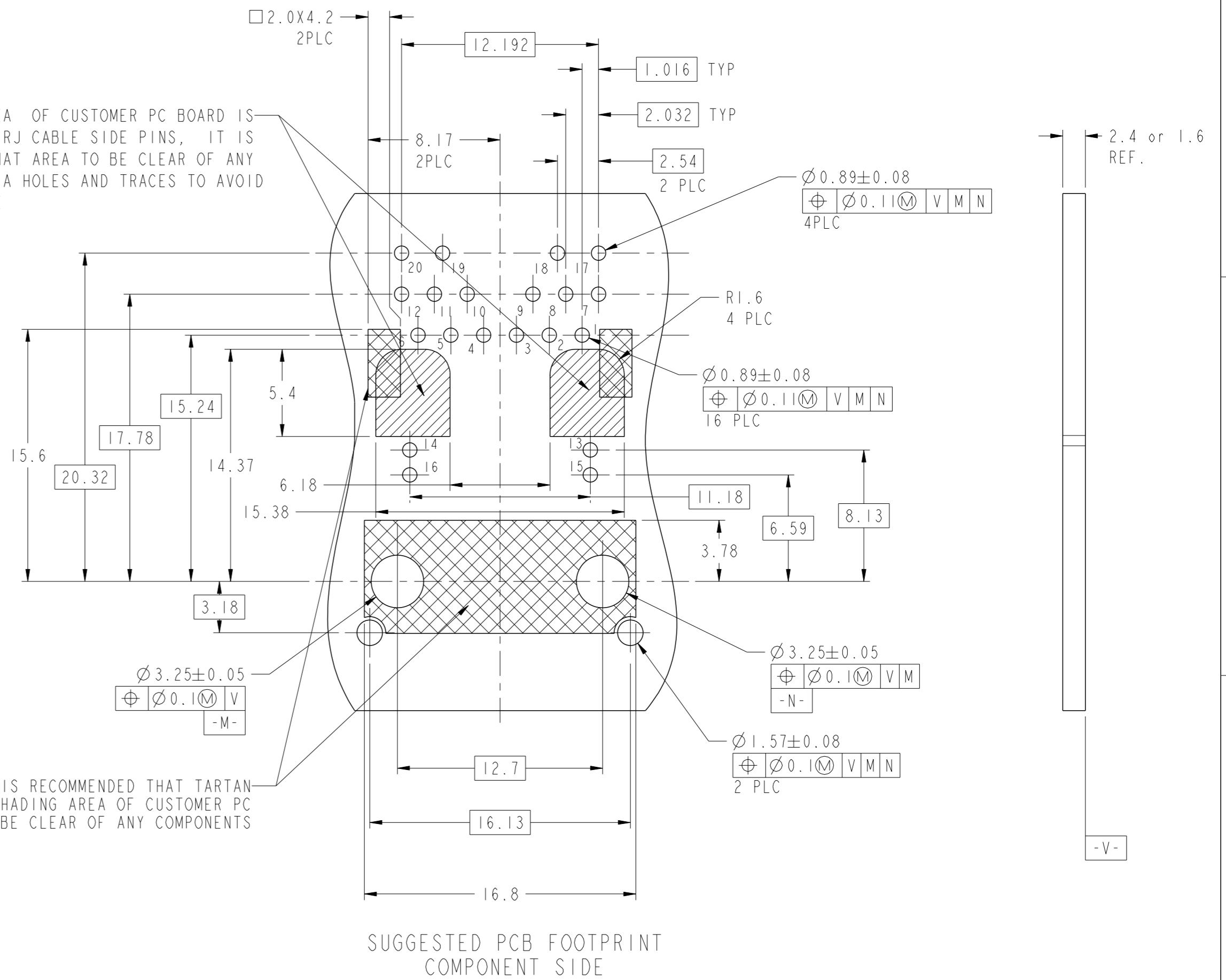
7HFG02ET 5GIGABIT 4PPOE CIRCUIT



C1= 1000pF, DECOUPLING CAPACITOR
 R1-R4= 75 OHMS, RESISTORS
 C2-C5= 22 nF, 100V DECOUPLING CAPACITOR

THE SHADED AREA OF CUSTOMER PC BOARD IS EQUIVALENT TO RJ CABLE SIDE PINS, IT IS RECOMMENDED THAT AREA TO BE CLEAR OF ANY COMPONENTS, VIA HOLES AND TRACES TO AVOID HI-POT FAILURE


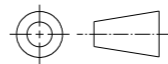
IT IS RECOMMENDED THAT TARTAN SHADING AREA OF CUSTOMER PC BOARD BE CLEAR OF ANY COMPONENTS



SUGGESTED PCB FOOTPRINT COMPONENT SIDE

THIS DRAWING IS A CONTROLLED DOCUMENT, AND COMPLIANT TO ASME Y14.5M		DWN TOWER YU / XENIA WANG 30NOV2016 CHK BILL LIU 30NOV2016 APVD TONY YUAN 30NOV2016 MODEL NAME	trp CONNECTOR a bel group DONGGUAN CHINA	
DIMENSIONS: mm		MAGJACK SINGLE 4PPOE		
TOLERANCES UNLESS OTHERWISE SPECIFIED: 0 PLC ± 1 PLC ±0.25 2 PLC ±0.25 3 PLC ±0.25 4 PLC ± ANGLES ± APPLICATION SPEC		DESC IXI 7HFG02ET 5GIGABIT 4PPoE TAB UP, W/ LEDS		
PRODUCT SPEC		SIZE A2		RESTRICTED TO
		DRAWING NO C-2250477		
		CUSTOMER DRAWING		SCALE NTS SHEET 2 OF 3 REV 1

2250477_C						STOCK DISPOSITION			
						A:CONTINUE AS IS B:REWORK C:SCRAP		D:USE OLD FIRST E:PARTS TO CONFORM F:OTHER	
REVISION HISTORY									
DATE	REV	CHANGE	REASON	APPROVAL	INVENTORY (A,B,C,D,E,F)	WORK IN PROCESS (A,B,C,D)	SUPPLIER ORDERS (A,E,F)	OPEN CUST ORDERS (A,E,F)	
30NOV2016	I	-	INITIAL RELEASE	TONY YUAN	-	-	-	-	

THIS DRAWING IS A CONTROLLED DOCUMENT. AND COMPLIANT TO ASME Y14.5M		DWN TOWER YU / XENIA WANG 30NOV2016	 trp CONNECTOR a bel group	DONGGUAN CHINA
DIMENSIONS: mm		CHK BILL LIU 30NOV2016		
		APVD TONY YUAN 30NOV2016	DESC IXI 7HFG02ET 5GIGABIT 4PPoE TAB UP, W/ LEDS	
TOLERANCES UNLESS OTHERWISE SPECIFIED: 0 PLC ± 1 PLC ±0.25 2 PLC ±0.25 3 PLC ±0.25 4 PLC ± ANGLES ± APPLICATION SPEC		MODEL NAME MAGJACK SINGLE 4PPOE	SIZE A2	RESTRICTED TO -
PRODUCT SPEC -		DRAWING NO C-2250477		
CUSTOMER DRAWING			SCALE NTS	SHEET 3 OF 3
			REV I	