

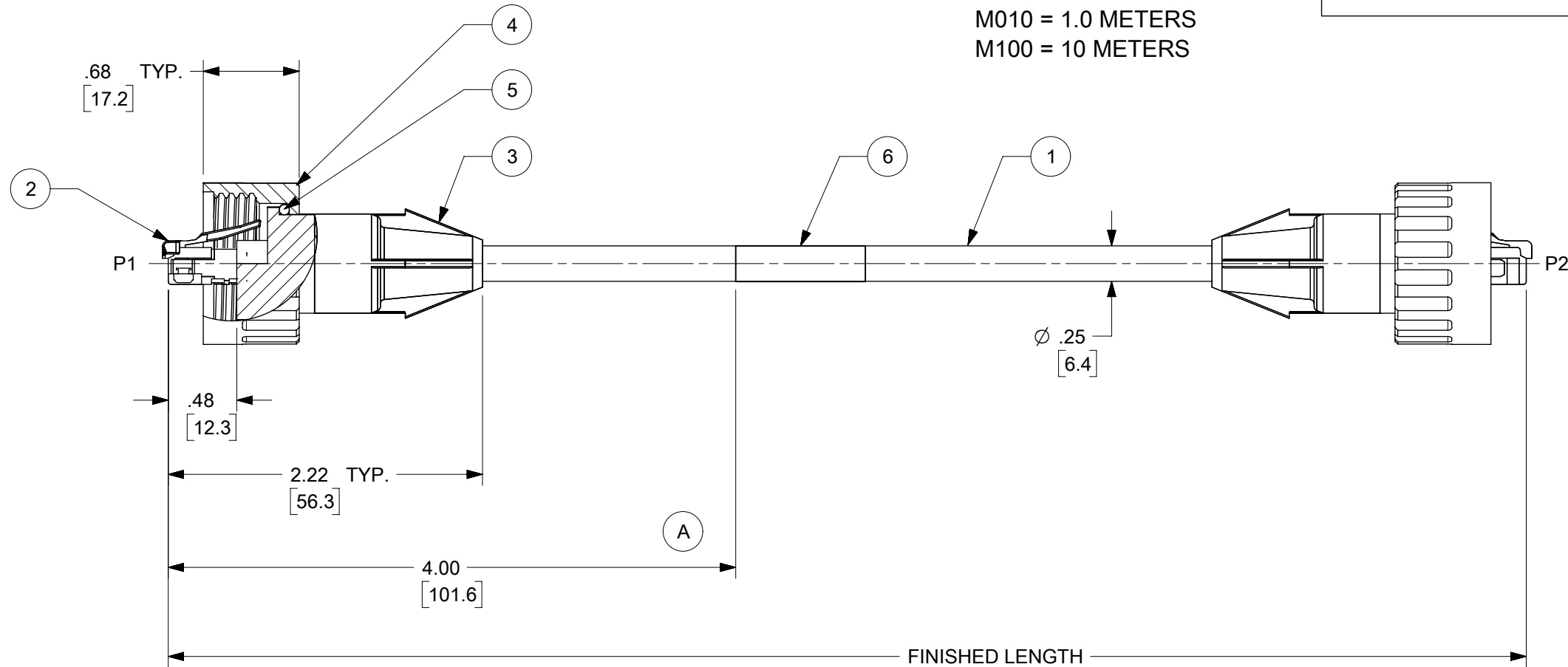
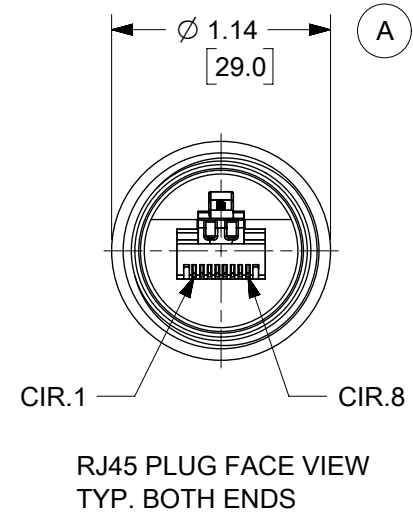
PART NO.	ENG. NO.	FINISHED LENGTH
1300500012	ENS3115M006	0.6M [2 FT]
1300500412	ENS3115M010	1M [3 FT 3 IN]
1300500416	ENS3115M050	5M [16 FT 5 IN]
1300500420	ENS3115M100	10M [32 FT 10 IN]

CABLE LENGTH TOLERANCES	
>.3M [1FT]:	+19mm-0 [+ .75in-0]
.3 - .9M [1 - 3FT]:	+44.5mm-0 [+1.75in-0]
.9 - 1.8M [3 - 6FT]:	+55.6mm-0 [+2.19in-0]
1.8 - 3.7M [6 - 12FT]:	+88.9mm-0 [+3.50in-0]
3.7 - 7.3M [12 - 24FT]:	+165.1mm-0 [+6.50in-0]
7.3-14.6M [24 - 48FT]:	+317.5mm-0 [+12.50in-0]
14.6 - 30.5M [48-100FT]:	+622.3mm-0 [+24.50in-0]
OVER 30M [100FT]	+2% OF FINISHED LENGTH

PART NUMBER MATRIX

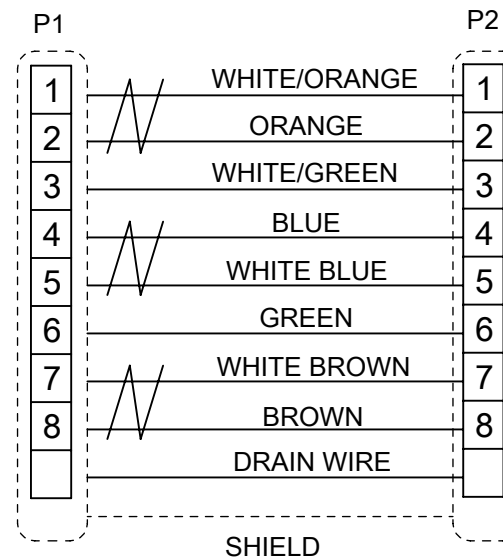
ENS3115M006

LENGTH
M001 = .1 METERS
M010 = 1.0 METERS
M100 = 10 METERS



- NOTES:
1. MATERIAL: AS NOTED
 2. FINISH: AS NOTED
 3. ELECTRICAL:
VOLTAGE: 125V DC
CURRENT: 1.5A
 4. TEMP RATING: -20°TO +75°C
 5. PROTECTION: IP67 (WHEN MATED)
 6. COUPLING THREAD: 1-14 UNS
 7. ALL DIMS ARE FOR REFERENCE UNLESS TOLERANCED OR NOTED OTHERWISE

568-B WIRE DIAGRAM



ITEM	DESCRIPTION	MATERIAL	FINISH
6	LABEL	VINYL	BLACK/YELLOW
5	O-RING	VITON	BROWN
4	COUPLING NUT	ABS	BLACK
3	OVERMOLD	PUR	BLACK
2	RJ45 PLUG	PC/Cu ALLOY	CLEAR/GOLD PLATED
1	CABLE, 24AWG, 4PR, CAT5E	PUR	BLACK

REF. THIS DOC SUPERSEDES A-CAD DOC SD-130050-001 REV-A

FUNCTIONAL SYMBOLS	THIS DRAWING CONTAINS INFORMATION THAT IS PROPRIETARY TO MOLEX ELECTRONIC TECHNOLOGIES, LLC AND SHOULD NOT BE USED WITHOUT WRITTEN PERMISSION		CURRENT REV DESC: REDRAWN TO NX, SUPERSEDES SD-130050-001 REV-A, 1.14 DIA WAS 1.68, ADD LABEL DIM	
	DIMENSION UNITS	SCALE	GENERAL TOLERANCES (UNLESS SPECIFIED)	
$\nabla F = 0$	INCH	1:1	MM	INCH
$\nabla E = 0$			4 PLACES	± ±
$\nabla E = 0$			3 PLACES	± ±
DIVISIONAL SYMBOLS			2 PLACES	± ±
			1 PLACE	± ±
			0 PLACES	± ±
	ANGULAR TOL	± °		
DRAFT WHERE APPLICABLE MUST REMAIN WITHIN DIMENSIONS		THIRD ANGLE PROJECTION	DRAWING	SHEET NUMBER
			B-SIZE	130050
		MATERIAL NUMBER		CUSTOMER
		SEE P/N MATRIX		GENERAL MARKET
		DOCUMENT NUMBER		DOC TYPE
		1300500012		PSD
		DOC PART		REVISION
		000		A
		SHEET NUMBER		
				1 OF 1