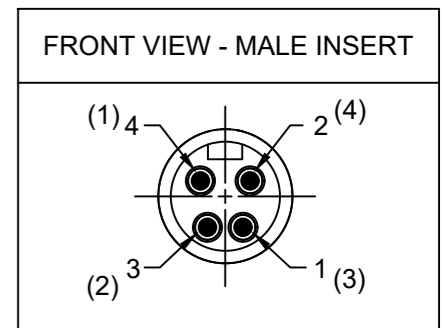
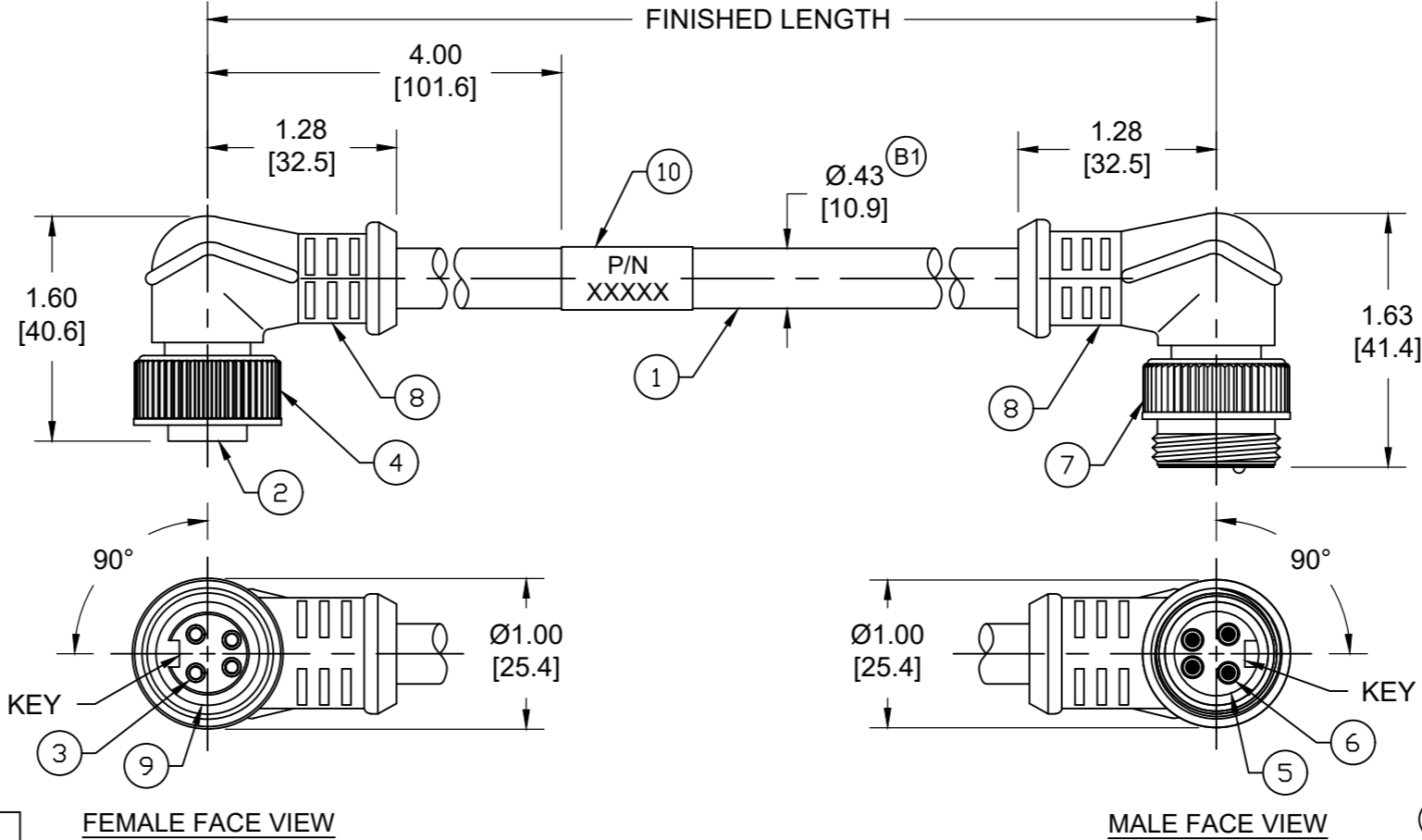


(B1) PART NO	ENGINEERING NO.	FINISHED LENGTH
1300101743	114033K12M005	0.5M [1FT 8 IN]
1300101910	114033K12M300	30M [98FT 5 IN]
1300101913	114033K12M600	60M [196FT 10 IN]



- NOTES:
- MATERIAL: SEE TABLE
 - FINISH: SEE TABLE
 - ELECTRICAL:
VOLTAGE: 483V PER IEC60664
600V PER UL2238
CURRENT: 8A (B1)
 - TEMP RATING: -20°TO +90°C
 - PROTECTION: IP67 (WHEN MATED)
 - COUPLING THREAD: 7/8-16 UN
 - UL LISTED FILE: E152210 (B1)
 - ALL DIMENSIONS ARE FOR REFERENCE UNLESS TOLERANCED OR NOTED OTHERWISE



CENELEC EN 50 044 PINOUT SHOWN (SAE-J-1738A SHOWN IN PARENTHESIS)

4 (1)	BLACK	4 (1)
3 (2)	BLUE	3 (2)
1 (3)	BROWN	1 (3)
2 (4)	WHITE	2 (4)

MECHANICAL CHARACTERISTICS: (B1)

TORSIONAL FLEX TEST	20 MILLION CYCLES PER MIL-C-13777G
BEND FLEX TEST	20 MILLION CYCLES PER MIL-C-13777G
WELD SLAG RESISTANCE	WOODHEAD STANDARD S-300

ITEM	DESCRIPTION	MATERIAL	FINISH
10	WRAP LABEL	VINYL	BLACK/YELLOW (B1)
9	FRICTION RING	NYLON	WHITE (B1)
8	OVERMOLD	TPE	YELLOW
7	COUPLING NUT, MALE	ZINC DIE-CAST	BLACK E-COAT
6	CONTACT PIN	COPPER ALLOY	GOLD OVER NICKEL
5	MALE INSERT	TPE	YELLOW
4	COUPLING NUT, FEMALE	ZINC DIE-CAST	BLACK E-COAT
3	CONTACT SOCKET	COPPER ALLOY	GOLD OVER NICKEL
2	FEMALE INSERT	TPE	YELLOW
1	CABLE, 16/4 AWG	TPE	YELLOW

PART NUMBER LEGEND
114033K12M005
 FINISHED LENGTH
 M005 = 0.5 METER
 M010 = 1 METER
 M100 = 10 METER

(B1) CABLE LENGTH TOLERANCES

<.3M [1FT]:	+19mm-0 [+.75in-0]
.3 - .9M [1 - 3FT]:	+44.5mm-0 [+1.75in-0]
.9 - 1.8M [3 - 6FT]:	+55.6mm-0 [+2.19in-0]
1.8 - 3.7M [6 - 12FT]:	+88.9mm-0 [+3.50in-0]
3.7 - 7.3M [12 - 24FT]:	+165.1mm-0 [+6.50in-0]
7.3-14.6M [24 - 48FT]:	+317.5mm-0 [+12.50in-0]
14.6 - 30.5M [48-100FT]:	+622.3mm-0 [+24.50in-0]
OVER 30M [100FT]	+2% OF FINISHED LENGTH

FUNCTIONAL SYMBOLS F=0 E=0 P=0	THIS DRAWING CONTAINS INFORMATION THAT IS PROPRIETARY TO MOLEX ELECTRONIC TECHNOLOGIES, LLC AND SHOULD NOT BE USED WITHOUT WRITTEN PERMISSION	CURRENT REV DESC: ADDED ITEM-9, TOL CHART, UL NUMBER AND CABLE DIA. CURRENT WAS 10A & ITEM-10 WAS MYLAR. MODIFIED PN CHART			
	DIMENSION UNITS: INCH/MM	SCALE: NTS	EC NO: 709714		
	GENERAL TOLERANCES (UNLESS SPECIFIED)			DRWN: ABENJAMINLW 2022/05/16	
	DIVISIONAL SYMBOLS			CHK'D: RSTONE 2022/06/08	
4 PLACES ±--- ±---			APPR: BWOODMAN 2022/06/14		
3 PLACES ±--- ±---			INITIAL REVISION:		
2 PLACES ±--- ±---			DRWN: VOU 2012/01/19		
1 PLACE ±--- ±---			APPR: JFMURPHY 2012/03/08		
0 PLACES ±--- ±---			DRAWING: B-SIZE		
ANGULAR TOL ± --- °			SERIES: 130010		
DRAFT WHERE APPLICABLE MUST REMAIN WITHIN DIMENSIONS			MATERIAL NUMBER: SEE CHART		
THIRD ANGLE PROJECTION			CUSTOMER: GENERAL MARKET		
DRAWING: B-SIZE			SHEET NUMBER: 1 OF 1		
SERIES: 130010			DOCUMENT NUMBER: SD-130010-020		
MATERIAL NUMBER: SEE CHART			DOC TYPE/DOC PART/REVISION: PSD/001/B1		