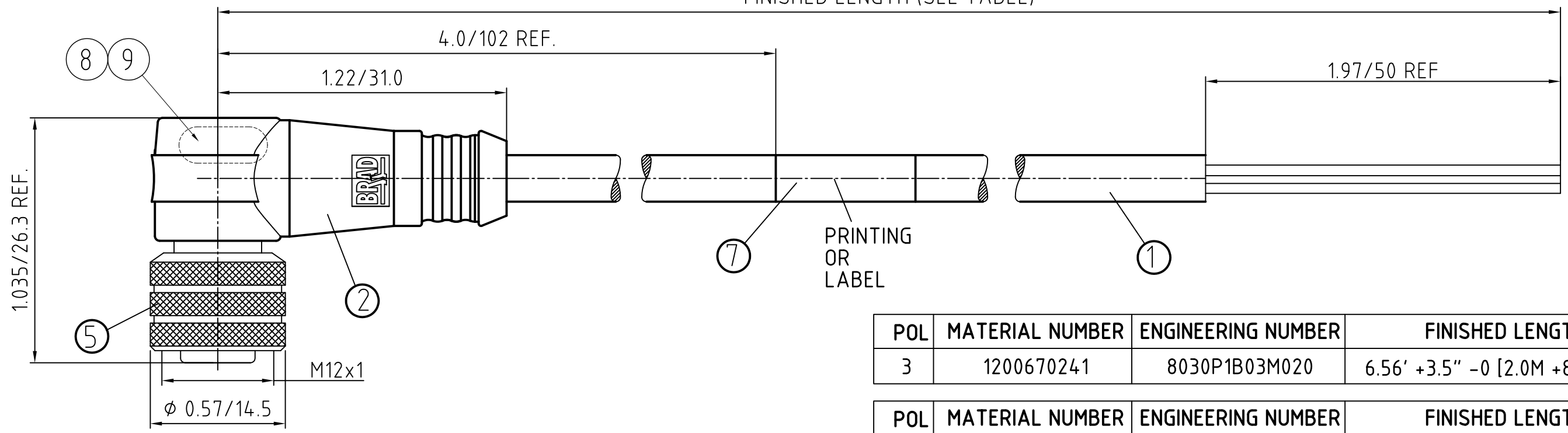
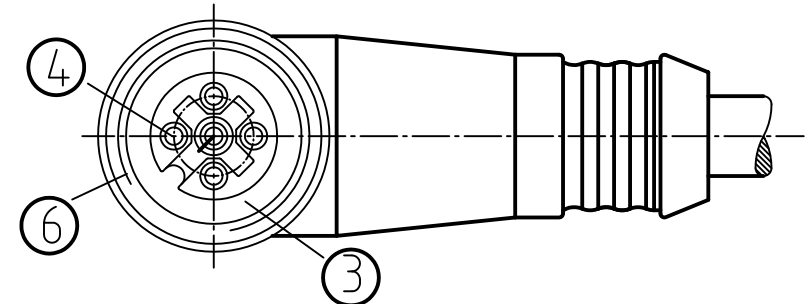


FINISHED LENGTH (SEE TABLE)

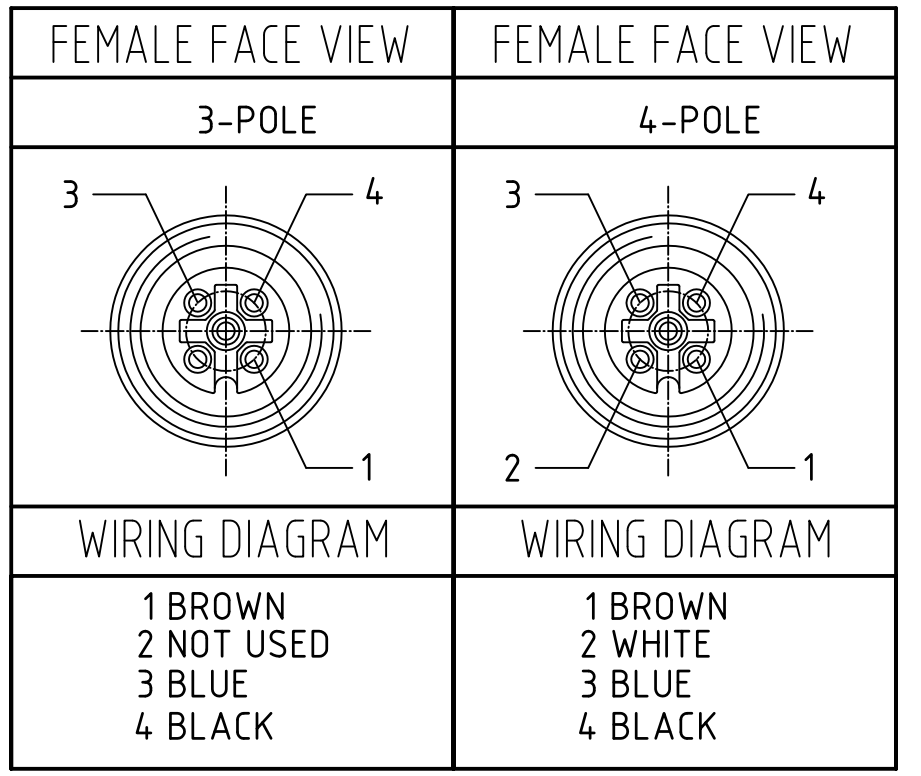
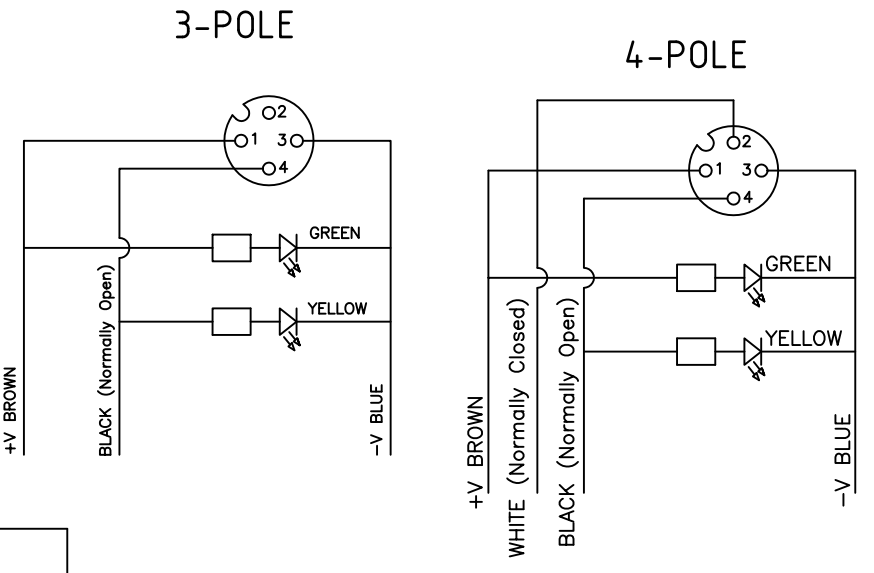


POL	MATERIAL NUMBER	ENGINEERING NUMBER	FINISHED LENGTH
3	1200670241	8030P1B03M020	6.56' +3.5" -0 [2.0M +89 -0]
4	1200675231	8040P1B03M020	6.56' +3.5" -0 [2.0M +89 -0]



CONNECTOR SPECIFICATION:

VOLTAGE RATING	10 TO 30VDC
AMPERAGE RATING	max. 4 AMPS
PROTECTION	IP67
OPERATING TEMPERATURE	FLEXING: -5°C TO +90°C STATIC: -30°C TO +90°C



ITEM	COMPONENT	MATERIAL	FINISH
9	LED		GREEN
8	LED		YELLOW
7	LABLE	MYLAR	BLACK/YELLOW
6	O-RING	VITON	RED
5	COUPLER	BRASS	NICKEL PLATED
4	PIN CONTACT	COPPER ALLOY	GOLD OVER NICKEL
3	INSERT	PUR	BLACK
2	OVERMOLD	POLYURETHANE (PUR)	TRANSP.
1	CABLE- 22/3-4 (COPPER STRANDING) 3/4 CONDUCT. 300V	JACKET: PUR	BLACK

DESCRIPTION EC NO: WEU2010-0381 DRWN: LSTEMMLE CHKD: NS APPR: NSTAUDIG 22.02.10 2010/02/25	QUALITY SYMBOLS ▽ = 0 ▽ = 0	GENERAL TOLERANCES (UNLESS SPECIFIED) mm    INCH 4 PLACES ± --- ± --- 3 PLACES ± --- ± --- 2 PLACES ± --- ± 0.1 1 PLACE ± 0.3 ± --- ANGULAR ± --- °	DIMENSION STYLE IN/MM DRAWN BY: BBRAUCH DATE: 2010/02/03 CHECKED BY: FP DATE: 2010/02/24 APPROVED BY: NSTAUDIG DATE: 2010/02/25	SCALE 2:1 DESIGN UNITS METRIC THIRD ANGLE PROJECTION
	DRAFT WHERE APPLICABLE MUST REMAIN WITHIN DIMENSIONS	SEE TABLE SIZE A3	MIC 3-4P FE 90 PNP PUR 22/3-4 BLACK PUR CABLE MOLEX INCORPORATED SD-120067-010 1 OF 1	