

**PART NUMBER LEGEND**

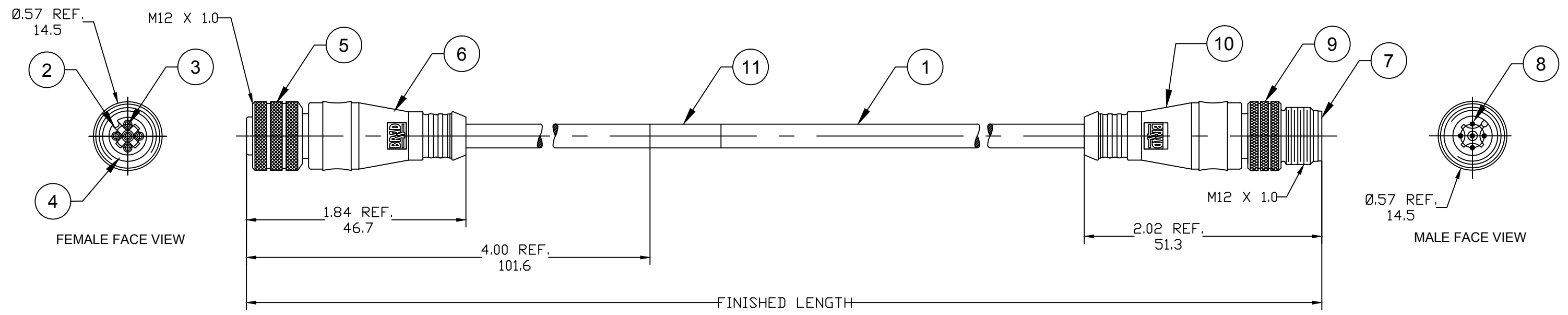
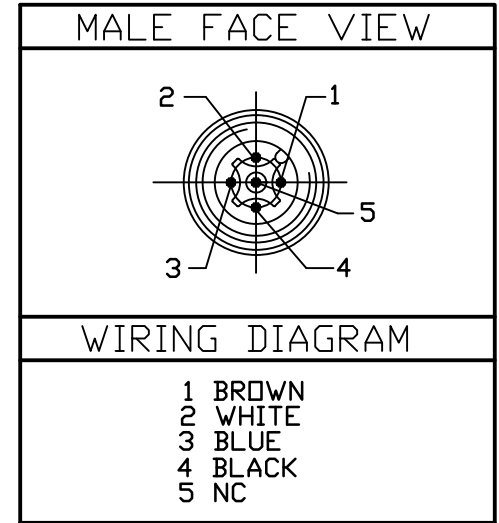
41201-M005

SERIES →

FINISHED LENGTH:  
M005= 0.5 METER  
M010= 1 METER  
100= 10 METER

**NOTES:**

1. MATERIAL: AS NOTED  
2. FINISH: AS NOTED  
3. ELECTRICAL:  
VOLTAGE: 250V  
CURRENT: 4A  
4. TEMP RATING: -20°TO +105°C  
5. PROTECTION: IP67 (WHEN MATED)



|      |                       |              |               |
|------|-----------------------|--------------|---------------|
| 11   | WRAP LABEL            | VINYL        | BLACK/YELLOW  |
| 10   | OVERMOLD (MALE)       | TPE          | GRAY          |
| 9    | COUPLING NUT (MALE)   | BRASS        | TEFLON/NICKEL |
| 8    | CONTACT PIN           | COPPER ALLOY | GOLD PLATED   |
| 7    | MALE INSERT           | PUR          | BLACK         |
| 6    | OVERMOLD (FEMALE)     | TPE          | GRAY          |
| 5    | COUPLING NUT (FEMALE) | BRASS        | TEFLON/NICKEL |
| 4    | O-RING                | VITON        | RED           |
| 3    | CONTACT SOCKET        | COPPER ALLOY | GOLD PLATED   |
| 2    | FEMALE INSERT         | PUR          | BLACK         |
| 1    | CABLE, 22 AWG, 4 COND | TPE JACKET   | MATTE BLACK   |
| ITEM | DESCRIPTION           | MATERIAL     | FINISH        |

|  |                         |  |  |   |  |  |  |
|--|-------------------------|--|--|---|--|--|--|
| RELEASED<br>EC NO: IPG2017-0018<br>DRWN: RSTONE 2016/07/07<br>CHKD: K COX<br>APPR: TWOLDEGE 2016/08/19 | DESCRIPTION<br>REV<br>A | QUALITY SYMBOLS<br>$\nabla=0$<br>$\sphericalangle=0$ | GENERAL TOLERANCES (UNLESS SPECIFIED)<br>mm INCH<br>4 PLACES ±--- ±---<br>3 PLACES ±--- ±---<br>2 PLACES ±0.13 ±0.01<br>1 PLACE ±0.3 ±---<br>ANGULAR ±2° | DIMENSION STYLE<br>IN/MM<br>DRAWN BY DATE<br>RSTONE 2016/07/07<br>CHECKED BY DATE<br>K COX ---<br>APPROVED BY DATE<br>TWOLDEGE 2016/08/19<br>MATERIAL NO. - | SCALE<br>---<br>DESIGN UNITS<br>INCH<br>THIRD ANGLE PROJECTION | TITLE<br><b>MICRO-CHANGE 4 POLE MALE/FEMALE STR/STR #22-4 TPE CABLE</b><br><b>MOLEX INCORPORATED</b><br>DOCUMENT NO. SD-120066-062<br>SHEET NO. 1 OF 1 |  |
|  |                         | DRAFT WHERE APPLICABLE MUST REMAIN WITHIN DIMENSIONS |  |   | SIZE<br><b>B</b>   | THIS DRAWING CONTAINS INFORMATION THAT IS PROPRIETARY TO MOLEX INCORPORATED AND SHOULD NOT BE USED WITHOUT WRITTEN PERMISSION                          |  |