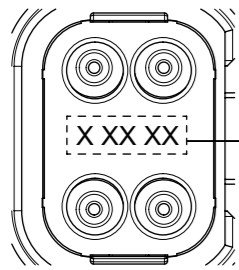
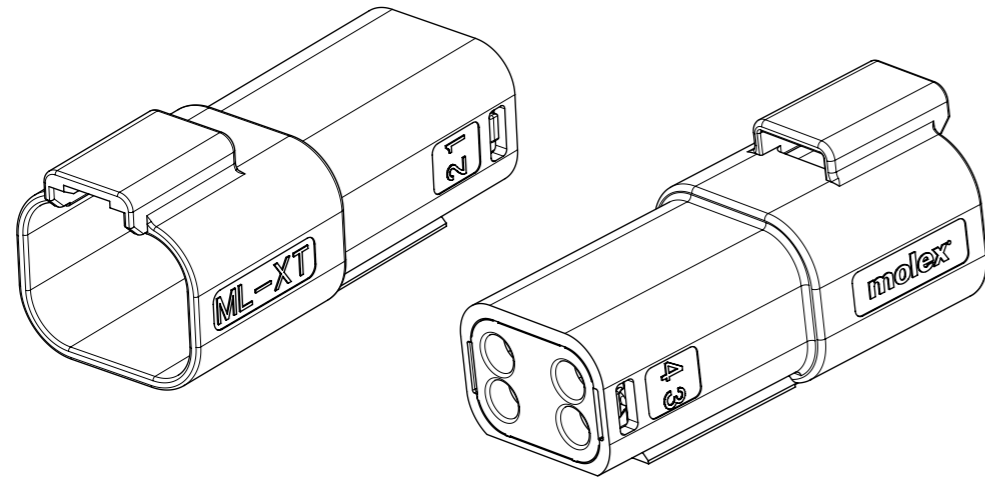


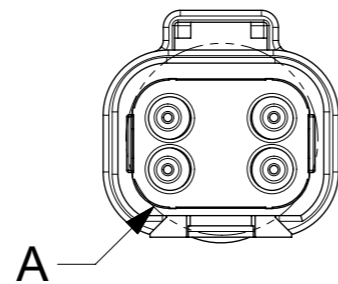
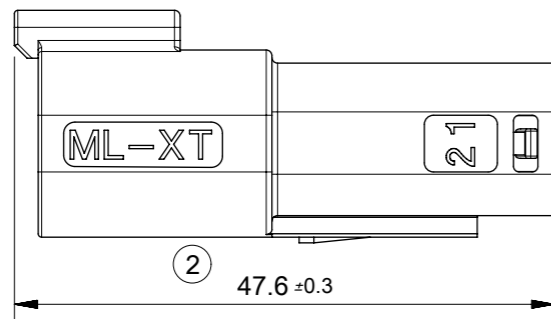
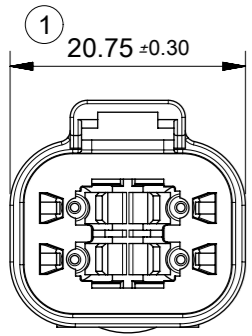
**NOTES**  
 1. SEE SHEETS 2 TO 7 FOR ALL UNSPECIFIED NOTES, DIMENSIONS AND PART NUMBERS

THIS DRAWING CONTAINS INFORMATION THAT IS PROPRIETARY TO MOLEX ELECTRONIC TECHNOLOGIES, LLC AND SHOULD NOT BE USED WITHOUT WRITTEN PERMISSION														
<b>QUALITY SYMBOLS</b> ▽A = 0 ▽E = 0 ▽F = 0 ▼ = 0 ▽C = 0 ⊗ = 0 ■ = 0 ▽ = 0		EC NO: 110489 DRWN: JFLETCHER CHK'D: FDUGGAN REV APPR: JDWALLACE			2016/11/16 2016/11/18 2017/01/03		GENERAL TOLERANCES (UNLESS SPECIFIED) ANGULAR TOL ± 2.0 ° 4 PLACES ± 3 PLACES ± 2 PLACES ± 0.1 1 PLACE ± 0.2 0 PLACES ± DRAFT WHERE APPLICABLE MUST REMAIN WITHIN DIMENSIONS		DIMENSION UNITS: MM SCALE: 1.5:1 DRWN BY: JFLETCHER DATE: 2015/11/02 CHK'D BY: NDOWDS DATE: 2015/11/10 APPR BY: JDWALLACE DATE: 2015/11/16		DRAWING SIZE: A3 THIRD ANGLE PROJECTION			
4CCT ML-XT CV CONNECTOR PRODUCT CUSTOMER DRAWING														
SERIES: 93443		MATERIAL NUMBER: SEE CHART			CUSTOMER: GENERAL MARKET									
DOCUMENT NUMBER: 934430030				DOC TYPE: PSD		DOC PART: 000		SHEET NUMBER: 1 OF 9						

4CCT RECEPTACLE CONNECTOR



DETAIL A  
SCALE 2:1



DATE CODE: X XX XX  
X — DAY: 1-7

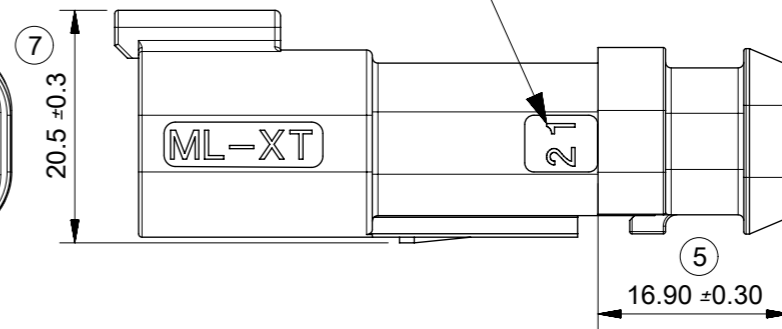
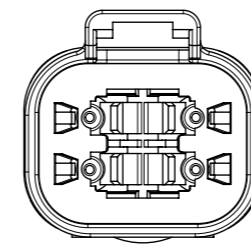
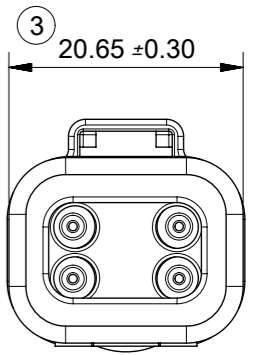
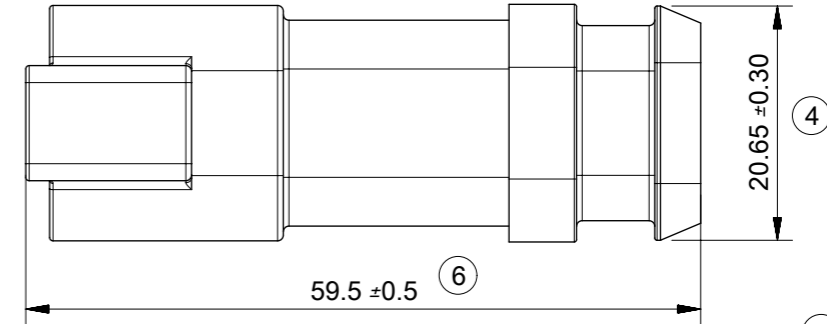
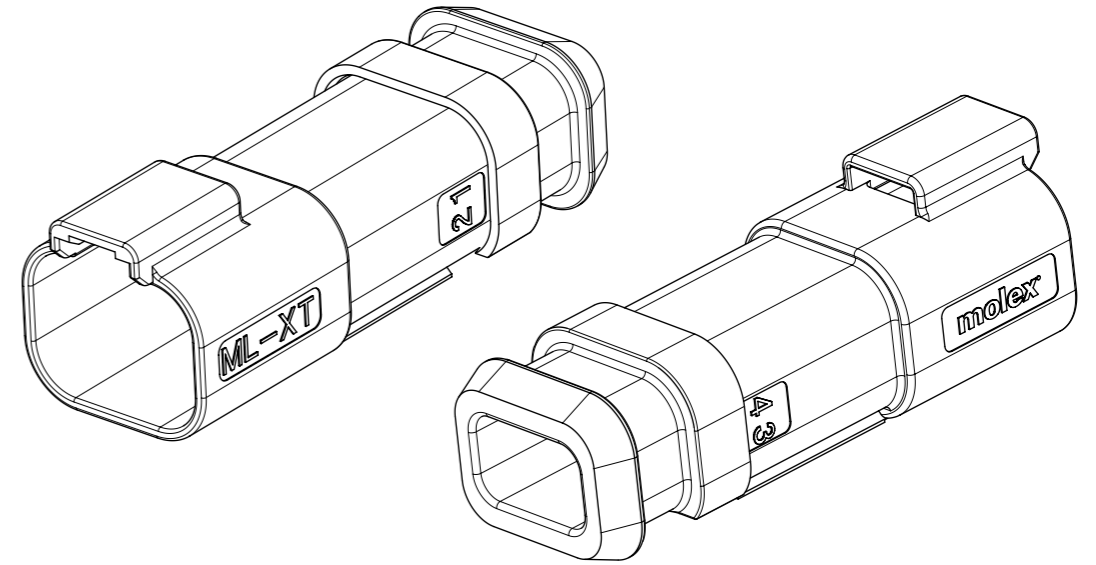
X — WEEK: 01 - 52

X — YEAR: 00 - 99

# — MACHINE NO. 1

EXAMPLE: 11315 = DAY 1, WEEK 13, YEAR 15  
i.e. 23rd OF MARCH 2015

4CCT RECEPTACLE CONNECTOR WITH  
HEATSHRINK HOUSING ULTRASONICALLY  
WELDED IN PLACE



NOTE 2

1. MATERIAL

HOUSING: NYLON 30%GF  
BACK SEAL: HIGH CONSISTENCY RUBBER

2. CIRCUIT IDENTIFICATION

3. JACKET RANGE LARGE = Ø2.7MM TO 3.6MM (SEAL COLOUR: LIGHT BLUE)  
JACKET RANGE SMALL = Ø1.4MM TO 2.7MM (SEAL COLOUR: BURNT ORANGE)

4. SEE SHEET 3 FOR FINAL PART NUMBER

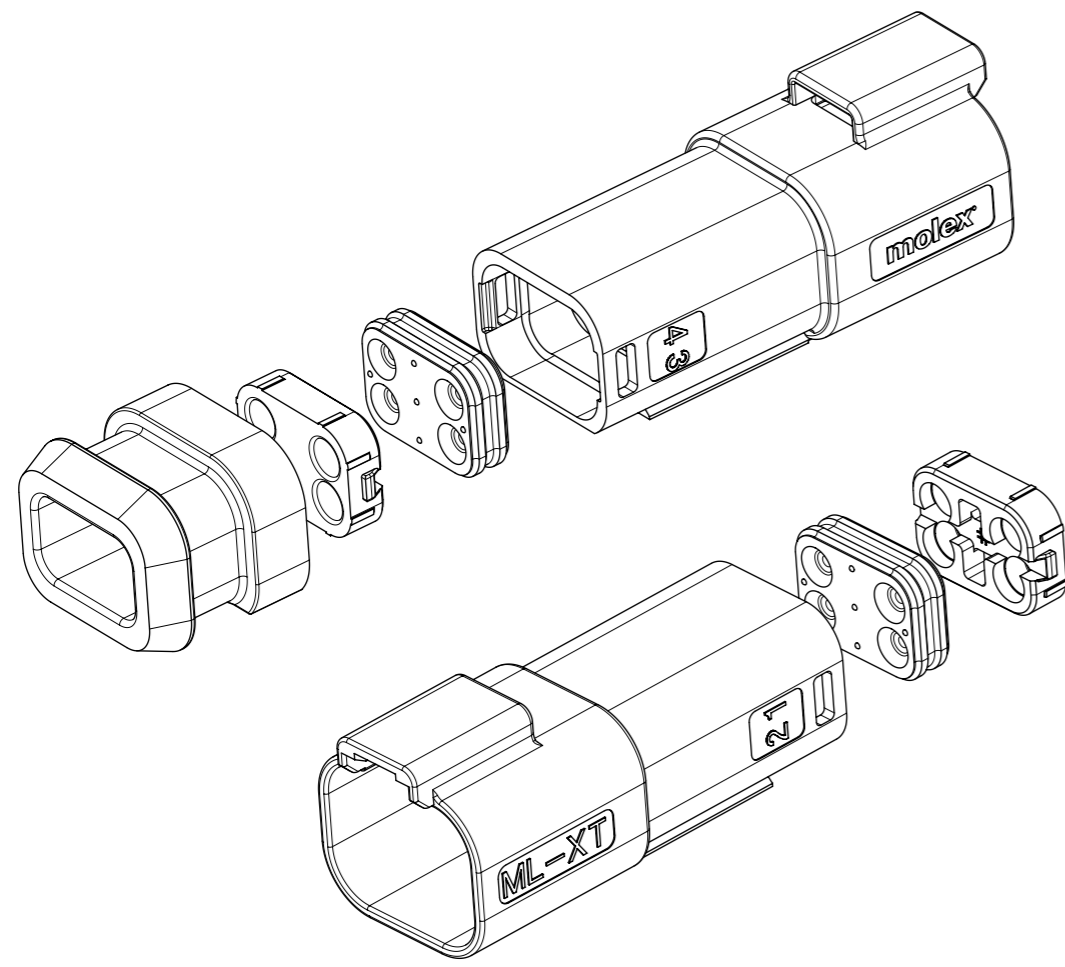
5. SEE 934430010 PS P FOR PRODUCT SPECIFICATION

6. SEE 934430002 PS K OR 934430010 PS K FOR PACKAGING SPECIFICATION

INSPECTION NUMBERS 1 - 50 RESERVED FOR SHEET 2

LAST INSPECTION NO. 7

THIS DRAWING CONTAINS INFORMATION THAT IS PROPRIETARY TO MOLEX ELECTRONIC TECHNOLOGIES, LLC AND SHOULD NOT BE USED WITHOUT WRITTEN PERMISSION										
QUALITY SYMBOLS	EC NO: 110489 DRWN: JFLETCHER CHK'D: FDUGGAN APPR: JDWALLACE			GENERAL TOLERANCES (UNLESS SPECIFIED) ANGULAR TOL ± 2.0 ° 4 PLACES ± 3 PLACES ± 2 PLACES ± 0.1 1 PLACE ± 0.2 0 PLACES ±		DIMENSION UNITS: MM SCALE: 1.5:1				
▽ = 0 ▽ = 0 ▽ = 0 ▼ = 0 ▽ = 0 ⊗ = 0 ■ = 0 ▽ = 0	SEE LONG TEXT 2016/11/16 2016/11/18 2017/01/03			DRAFT WHERE APPLICABLE MUST REMAIN WITHIN DIMENSIONS		DRWN BY: JFLETCHER DATE: 2015/11/02		4CCT ML-XT CV CONNECTOR		
		APPR BY: JDWALLACE DATE: 2015/11/10		DRAWING SIZE: A3 THIRD ANGLE PROJECTION		PRODUCT CUSTOMER DRAWING				
		EC NO: 110489 DRWN: JFLETCHER CHK'D: FDUGGAN APPR: JDWALLACE		DRAWING SIZE: A3 THIRD ANGLE PROJECTION		SERIES: 93443 MATERIAL NUMBER: SEE CHART CUSTOMER: GENERAL MARKET		DOCUMENT NUMBER: 934430030 DOC TYPE: PSD DOC PART: 000 SHEET NUMBER: 2 OF 9		



4CCT RECEPTACLE CONNECTOR

SERIES No. 93444

CIRCUIT SIZE  
3 = 4CCT

ASSEMBLY OPTIONS:  
 1 = RECEP ASSEMBLY FOR WIRE JACKET RANGE: Ø1.4mm-2.7mm (NOTE 2)  
 2 = RECEP ASSEMBLY FOR WIRE JACKET RANGE: Ø2.7mm-3.6mm (NOTE 2)  
 5 = RECEP ASSEMBLY & HEATSHRINK FOR WIRE JACKET RANGE: Ø1.4mm-2.7mm  
 6 = RECEP ASSEMBLY & HEATSHRINK FOR WIRE JACKET RANGE: Ø2.7mm-3.6mm

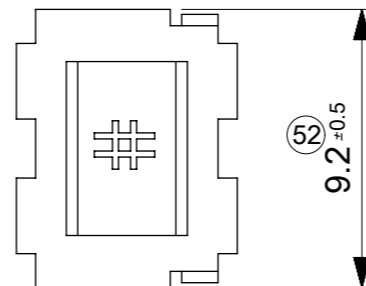
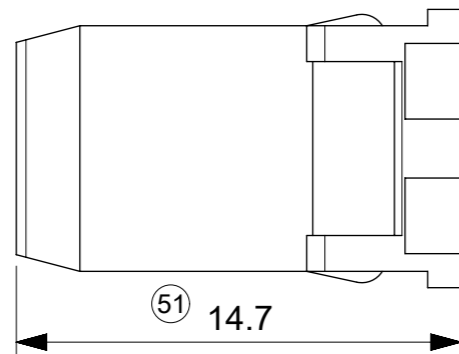
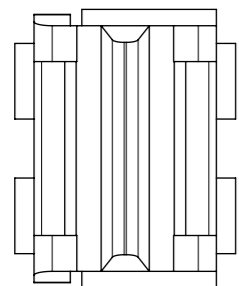
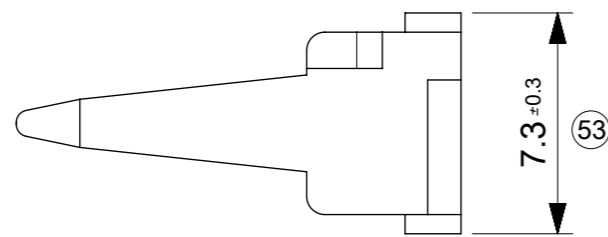
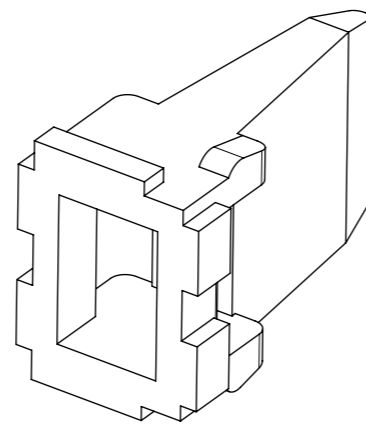
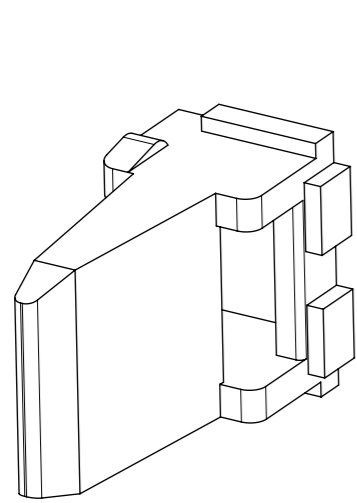
COLOUR  
 01=BLACK 06=WHITE  
 02=GREY 07=BROWN  
 03=GREEN 08=ORANGE  
 04=BLUE 09=RED

EXAMPLE:  
 4cct RECEP BLACK WITH LARGE SEAL AND HEATSHRINK = 93444-3601

NOTES

1. SEE SHEET 2 FOR UNSPECIFIED NOTES AND DIMENSIONS
2. BACK COVER HOUSING COLOUR BLACK
3. HEATSHRINK HOUSING COLOUR BLACK

THIS DRAWING CONTAINS INFORMATION THAT IS PROPRIETARY TO MOLEX ELECTRONIC TECHNOLOGIES, LLC AND SHOULD NOT BE USED WITHOUT WRITTEN PERMISSION											
QUALITY SYMBOLS ▽A = 0 ▽E = 0 ▽F = 0 ▽ = 0 ▽C = 0 ▽X = 0 ▽ = 0 ▽ = 0	SEE LONG TEXT EC NO: 110489 DRWN: JFLETCHER CHK'D: FDUGGAN APPR: JDWALLACE	GENERAL TOLERANCES (UNLESS SPECIFIED)		DIMENSION UNITS		SCALE		<div style="font-size: 2em; font-weight: bold; margin-bottom: 5px;">molex</div> <div style="font-weight: bold; margin-bottom: 5px;">4CCT ML-XT CV CONNECTOR</div>			
		ANGULAR TOL ± 2.0 °		MM		1:1					
		4 PLACES ±		DRWN BY		DATE		PRODUCT CUSTOMER DRAWING SERIES: 93443    MATERIAL NUMBER: SEE CHART    CUSTOMER: GENERAL MARKET DOCUMENT NUMBER: 934430030    DOC TYPE: PSD    DOC PART: 000    SHEET NUMBER: 3 OF 9			
		3 PLACES ±		JFLETCHER		2015/11/02					
		2 PLACES ± 0.1		CHK'D BY		DATE					
		1 PLACE ± 0.2		NDOWDS		2015/11/10					
0 PLACES ±		APPR BY		DATE							
DRAFT WHERE APPLICABLE MUST REMAIN WITHIN DIMENSIONS		JDWALLACE		2015/11/16		DRAWING SIZE		THIRD ANGLE PROJECTION			
		A3									



4CCT RECEP. WEDGELOCK

SERIES NO. 93447 3 0 --

CIRCUIT SIZE  
3 = 4CCT

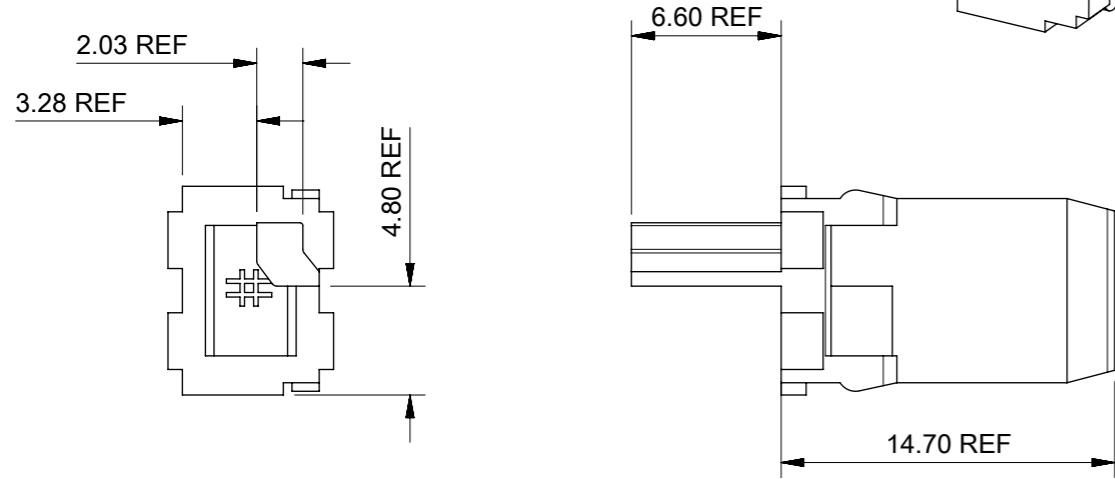
COLOUR/KEYING  
03 = GREEN (NO KEY)  
12 = GREY A KEY  
21 = BLACK B KEY  
33 = GREEN C KEY  
47 = BROWN D KEY

NOTES

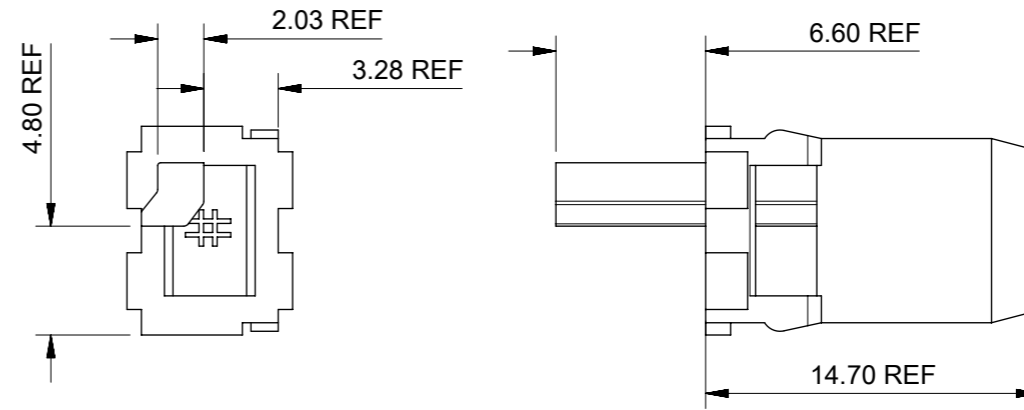
- MATERIAL  
HOUSING: NYLON 30%GF
- INSPECTION NUMBERS 51-100  
RESERVED FOR SHEET 4
- PART NUMBER 934473003 SHOWN  
LAST INSPECTION NUMBER 53

THIS DRAWING CONTAINS INFORMATION THAT IS PROPRIETARY TO MOLEX ELECTRONIC TECHNOLOGIES, LLC AND SHOULD NOT BE USED WITHOUT WRITTEN PERMISSION											
QUALITY SYMBOLS		SEE LONG TEXT		GENERAL TOLERANCES (UNLESS SPECIFIED)		DIMENSION UNITS		SCALE			
▽A	= 0	EC NO: 110489	2016/11/16	ANGULAR TOL ± 2.0 °		MM		1.5:1			
▽E	= 0	DRWN: JFLETCHER	2016/11/18	4 PLACES ±		DRWN BY		DATE		4CCT ML-XT CV CONNECTOR	
▽F	= 0	CHK'D: FDUGGAN	2017/01/03	3 PLACES ±		JFLETCHER		2015/11/02			
▽	= 0	APPR: JDWALLACE		2 PLACES ± 0.1		CHK'D BY		DATE		PRODUCT CUSTOMER DRAWING	
▽C	= 0			1 PLACE ± 0.2		NDOWDS		2015/11/10			
▽	= 0			0 PLACES ±		APPR BY		DATE		SERIES: 93443 MATERIAL NUMBER: SEE CHART CUSTOMER: GENERAL MARKET	
▽	= 0			DRAFT WHERE APPLICABLE MUST REMAIN WITHIN DIMENSIONS		JDWALLACE		2015/11/16			
▽	= 0					DRAWING SIZE		THIRD ANGLE PROJECTION		DOCUMENT NUMBER: 934430030 DOC TYPE: PSD DOC PART: 000 SHEET NUMBER: 4 OF 9	
						A3					

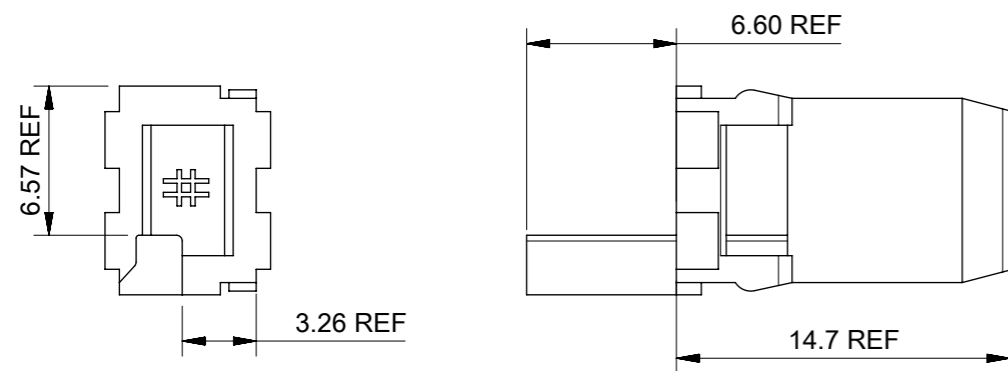
934473012 (KEY A)  
COLOUR GREY



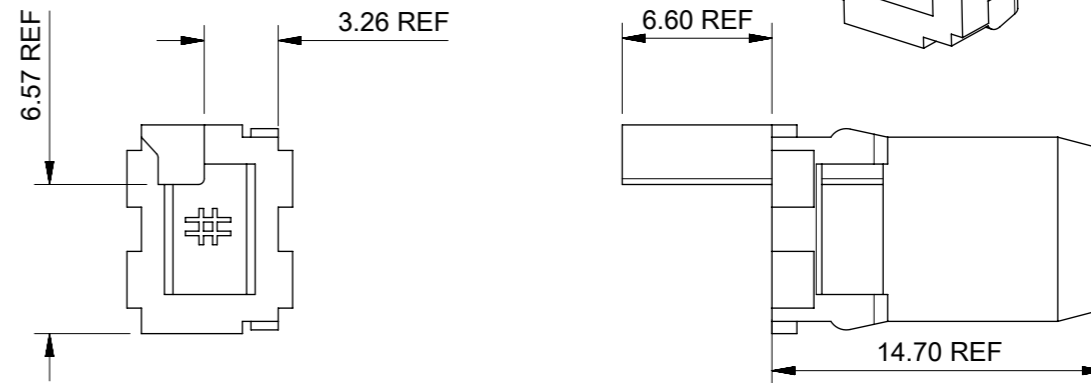
934473021 (KEY B)  
COLOUR BLACK



934473033 (KEY C)  
COLOUR GREEN



934473047 (KEY D)  
COLOUR BROWN

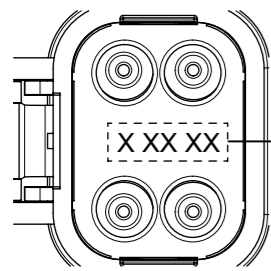
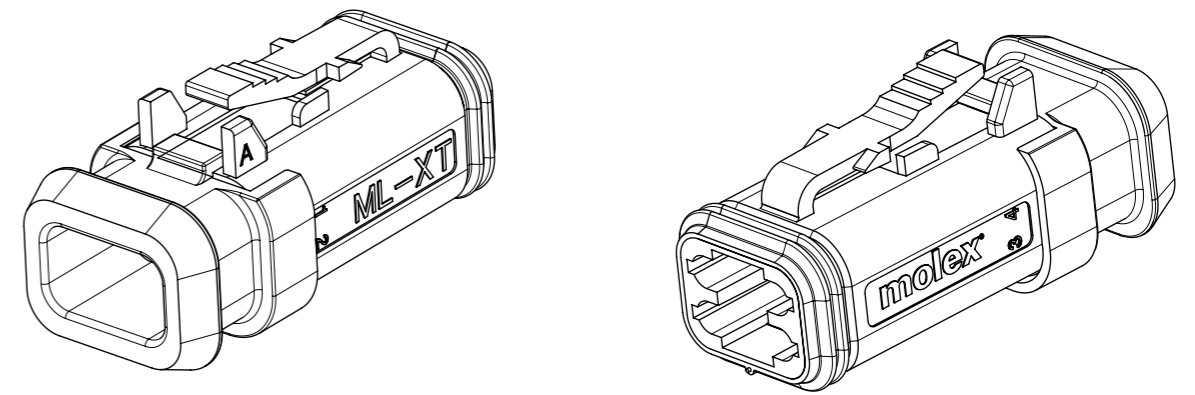
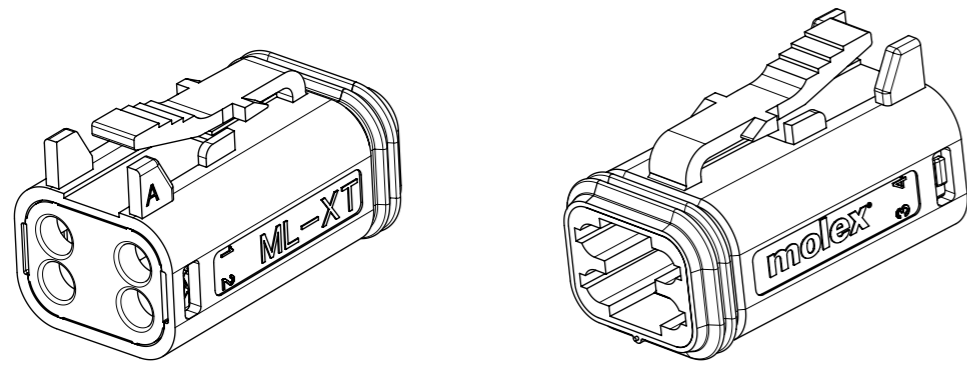


NOTES:  
1. MATERIAL PA66 30%GF  
2. SEE SHEET 4 FOR UNSPECIFIED NOTES & DIMENSIONS

THIS DRAWING CONTAINS INFORMATION THAT IS PROPRIETARY TO MOLEX ELECTRONIC TECHNOLOGIES, LLC AND SHOULD NOT BE USED WITHOUT WRITTEN PERMISSION																			
QUALITY SYMBOLS		GENERAL TOLERANCES (UNLESS SPECIFIED)			DIMENSION UNITS		SCALE												
▽A	= 0	ANGULAR TOL ± 2.0 °			MM		3:1												
▽E	= 0	4 PLACES ±			DRWN BY		DATE		4CCT ML-XT CV CONNECTOR										
▽F	= 0	3 PLACES ±			JFLETCHER		2015/11/02												
▽B	= 0	2 PLACES ± 0.1			CHK'D BY		DATE		PRODUCT CUSTOMER DRAWING										
▽C	= 0	1 PLACE ± 0.2			NDOWDS		2015/11/10												
▽D	= 0	0 PLACES ±			APPR BY		DATE		<table border="1"> <tr> <td>SERIES</td> <td>MATERIAL NUMBER</td> <td>CUSTOMER</td> </tr> <tr> <td>93443</td> <td></td> <td>GENERAL MARKET</td> </tr> </table>			SERIES	MATERIAL NUMBER	CUSTOMER	93443		GENERAL MARKET		
SERIES	MATERIAL NUMBER	CUSTOMER																	
93443		GENERAL MARKET																	
▽	= 0	DRAFT WHERE APPLICABLE MUST REMAIN WITHIN DIMENSIONS			JDWALLACE		2015/11/16		<table border="1"> <tr> <td>DOCUMENT NUMBER</td> <td>DOC TYPE</td> <td>DOC PART</td> <td>SHEET NUMBER</td> </tr> <tr> <td>934430030</td> <td>PSD</td> <td>000</td> <td>5 OF 9</td> </tr> </table>			DOCUMENT NUMBER	DOC TYPE	DOC PART	SHEET NUMBER	934430030	PSD	000	5 OF 9
DOCUMENT NUMBER	DOC TYPE	DOC PART	SHEET NUMBER																
934430030	PSD	000	5 OF 9																
▽	= 0	SEE LONG TEXT		A2		A3		THIRD ANGLE PROJECTION											
		EC NO: 110489		DRWN: JFLETCHER		2016/11/16		2016/11/18											
		CHK'D: FDUGGAN		2016/11/18		2017/01/03		2017/01/03											
		APPR: JDWALLACE		2017/01/03															
RELEASE STATUS		ER		RELEASE DATE		18.11.2016		14:21:32											

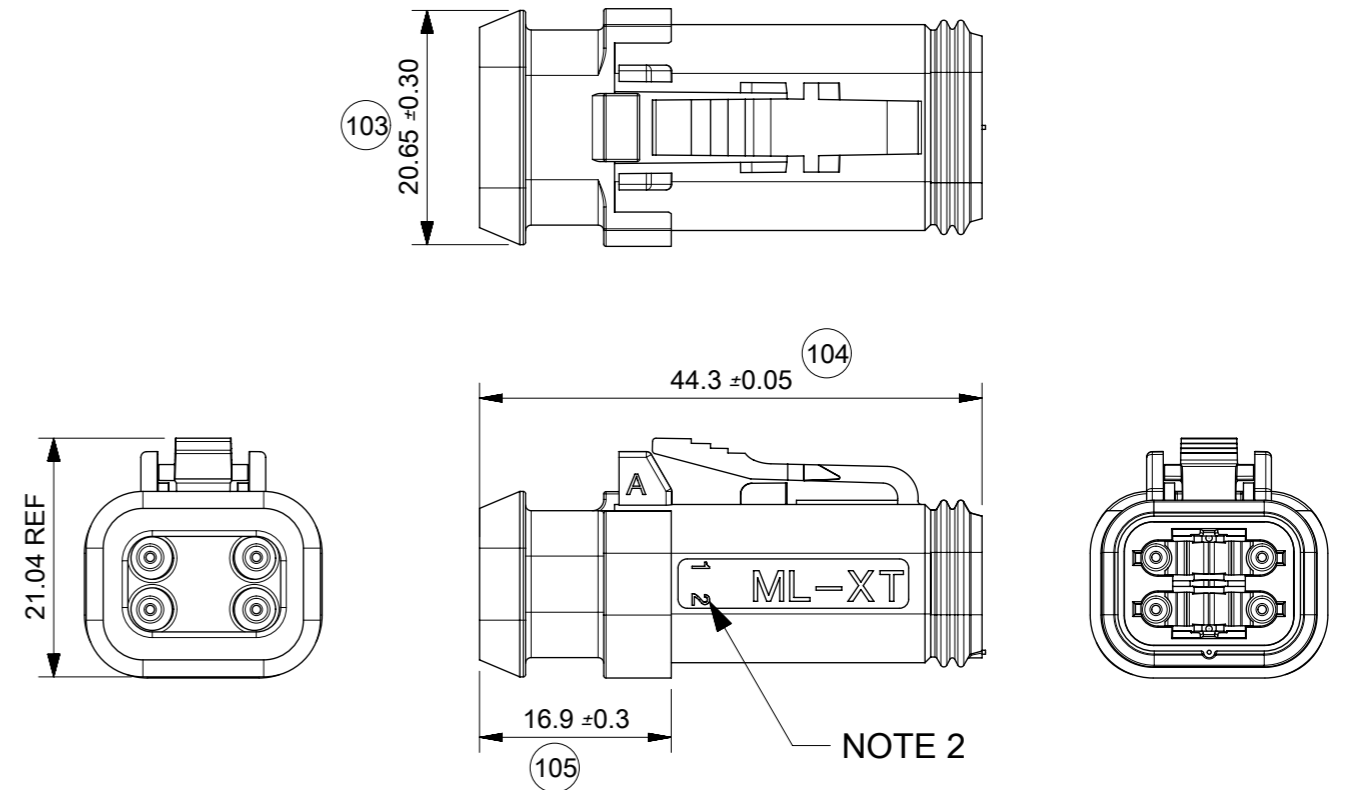
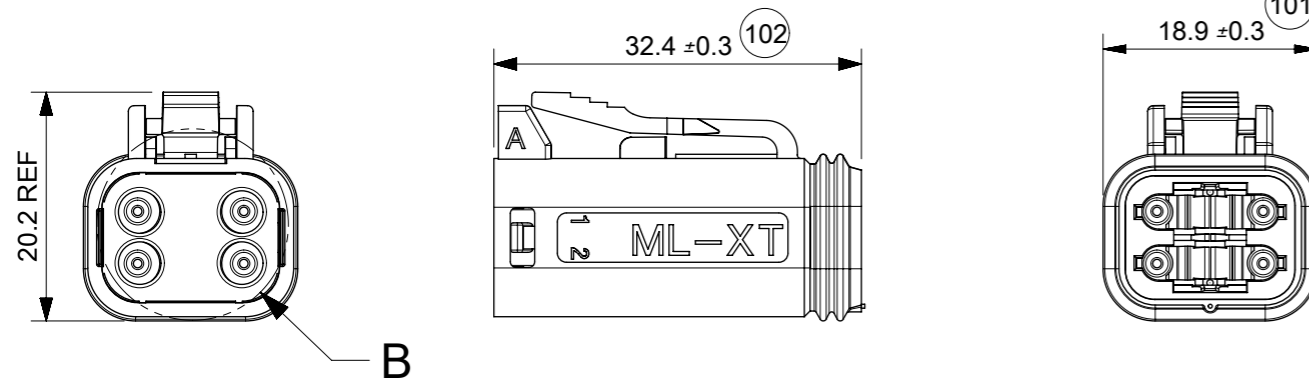
4CCT PLUG CONNECTOR

4CCT PLUG CONNECTOR WITH HEATSHRINK HOUSING ULTRASONICALLY WELDED IN PLACE



DATE CODE: X XX XX  
 X— DAY: 1- 7  
 X — WEEK: 01 - 52  
 X — YEAR: 00 - 99  
 # — MACHINE NO. 1  
 EXAMPLE: 11315 = DAY 1, WEEK 13, YEAR 15  
 i.e. 23rd OF MARCH 2015

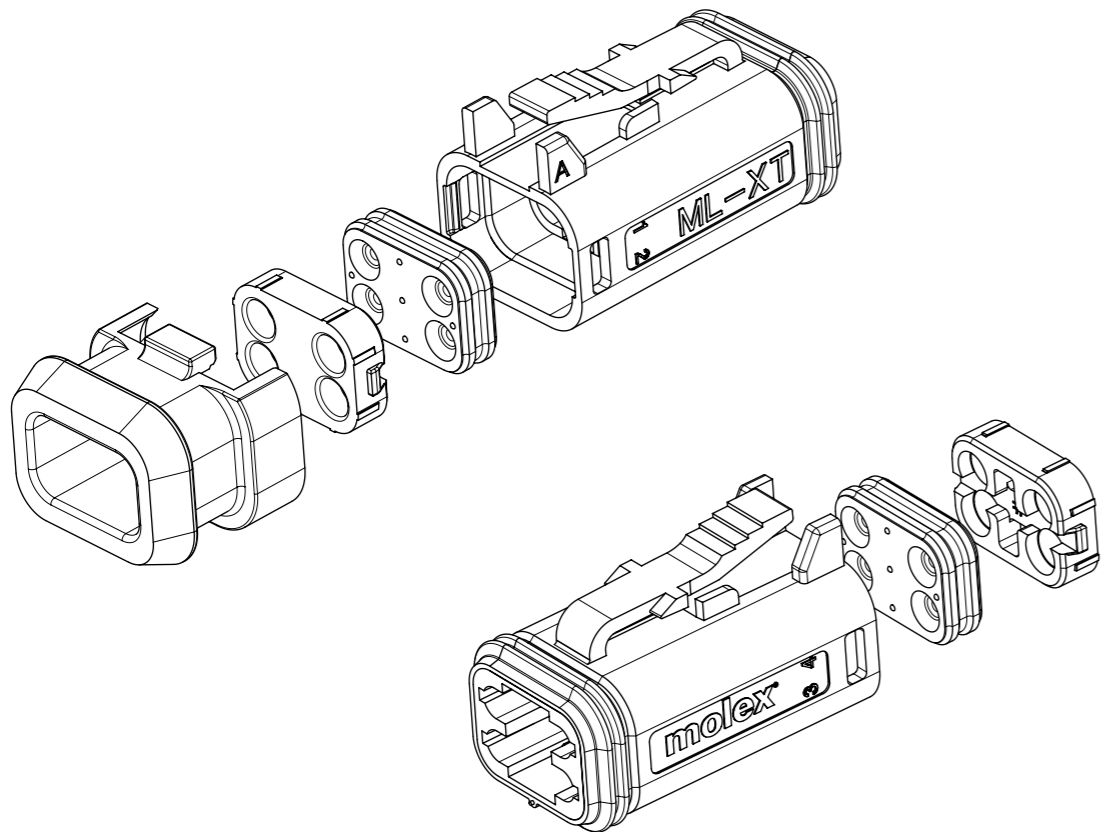
DETAIL B  
SCALE 2:1



NOTES

- MATERIAL:  
 HOUSING: NYLON 30% GF  
 PLUG SEAL: SILICONE RUBBER  
 BACK SEAL: HIGH CONSISTENCY RUBBER
- CIRCUIT IDENTIFICATION
- JACKET RANGE LARGE = Ø2.7MM TO 3.6MM (SEAL COLOUR: LIGHT BLUE)  
 JACKET RANGE SMALL = Ø1.4MM TO 2.7MM (SEAL COLOUR: BURNT ORANGE)
- SEE SHEET 7 FOR FINAL PART NUMBER DESIGNATION  
 INSPECTION NUMBERS 101-150 RESERVED FOR SHEET 6  
 LAST INSPECTION NUMBER 105

QUALITY SYMBOLS		THIS DRAWING CONTAINS INFORMATION THAT IS PROPRIETARY TO MOLEX ELECTRONIC TECHNOLOGIES, LLC AND SHOULD NOT BE USED WITHOUT WRITTEN PERMISSION									
▽A	= 0	EC NO: 110489 DRWN: JFLETCHER CHK'D: FDUGGAN APPR: JDWALLACE 2016/11/16 2016/11/18 2017/01/03	GENERAL TOLERANCES (UNLESS SPECIFIED)		DIMENSION UNITS		SCALE				
▽E	= 0		ANGULAR TOL ± 2.0 °		MM		1:1				
▽F	= 0		4 PLACES ±		DRWN BY		DATE		4CCT ML-XT CV CONNECTOR		
▽B	= 0		3 PLACES ±		JFLETCHER		2015/11/02				
▽	= 0		2 PLACES ± 0.1		CHK'D BY		DATE		PRODUCT CUSTOMER DRAWING		
▽C	= 0		1 PLACE ± 0.2		NDOWDS		2015/11/10				
▽D	= 0		0 PLACES ±		APPR BY		DATE		SERIES: 93443 MATERIAL NUMBER: SEE CHART CUSTOMER: GENERAL MARKET		
▽	= 0		DRAFT WHERE APPLICABLE MUST REMAIN WITHIN DIMENSIONS		JDWALLACE		2015/11/16				
▽	= 0				DRAWING SIZE		THIRD ANGLE PROJECTION		DOCUMENT NUMBER: 934430030 DOC TYPE: PSD DOC PART: 000 SHEET NUMBER: 6 OF 9		
▽	= 0				A3						



4CCT PLUG CONNECTOR

93445

3

-

--

SERIES No. \_\_\_\_\_

CIRCUIT SIZE  
3 = 4CCT

ASSEMBLY OPTIONS:

- 1 = PLUG ASSEMBLY FOR WIRE JACKET RANGE: Ø1.4mm-2.7mm (NOTE 2)
- 2 = PLUG ASSEMBLY FOR WIRE JACKET RANGE: Ø2.7mm-3.6mm (NOTE 2)
- 5 = PLUG ASSEMBLY & HEATSHRINK FOR WIRE JACKET RANGE: Ø1.4mm-2.7mm
- 6 = PLUG ASSEMBLY & HEATSHRINK FOR WIRE JACKET RANGE: Ø2.7mm-3.6mm

COLOUR

- 01=BLACK
- 02=GREY 06=WHITE
- 03=GREEN 07=BROWN
- 04=BLUE 08=ORANGE
- 05=YELLOW 09=RED

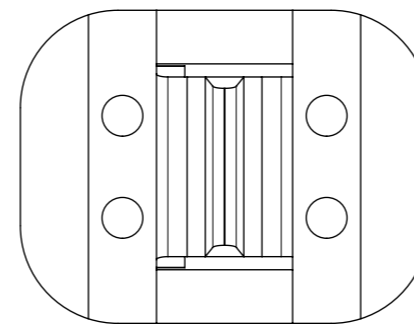
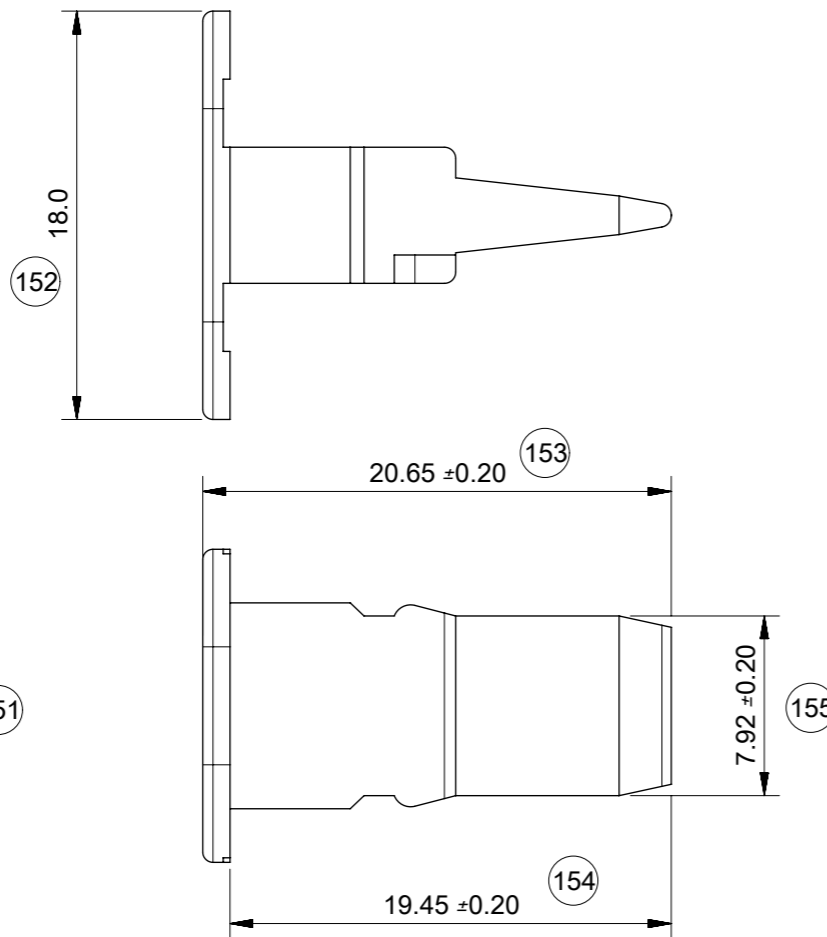
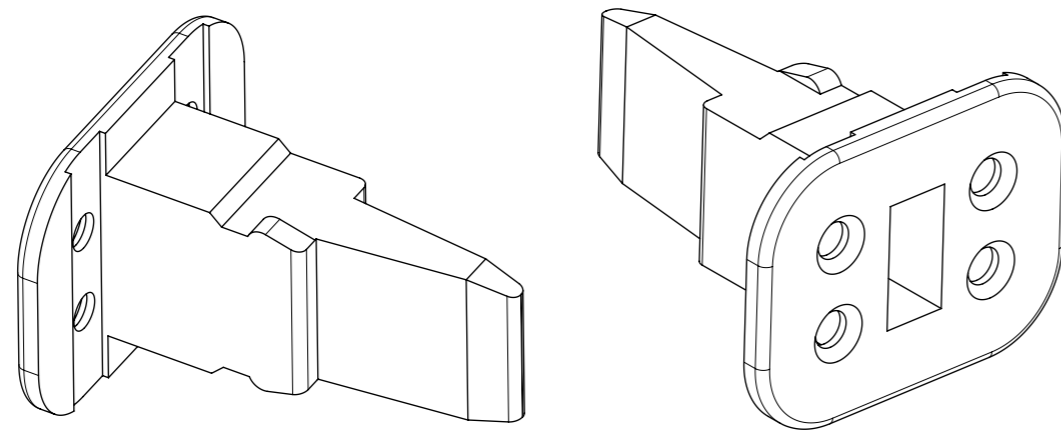
EXAMPLE:

4cct PLUG BLACK WITH LARGE SEAL AND HEATSHRINK = 93444-3601

NOTES

- 1. SEE SHEET 6 FOR UNSPECIFIED NOTES AND DIMENSIONS
- 2. BACK COVER HOUSING COLOUR BLACK
- 3. HEATSHRINK HOUSING COLOUR BLACK

THIS DRAWING CONTAINS INFORMATION THAT IS PROPRIETARY TO MOLEX ELECTRONIC TECHNOLOGIES, LLC AND SHOULD NOT BE USED WITHOUT WRITTEN PERMISSION																	
<b>QUALITY SYMBOLS</b> ▽A = 0 ▽E = 0 ▽F = 0 ▼ = 0 ▽C = 0 ⊗ = 0 ■ = 0 ▽ = 0	SEE LONG TEXT EC NO: 110489 DRWN: JFLETCHER CHK'D: FDUGGAN APPR: JDWALLACE	GENERAL TOLERANCES (UNLESS SPECIFIED)		DIMENSION UNITS	SCALE												
		ANGULAR TOL ± 2.0 °		MM	1:1												
		4 PLACES ±		DRWN BY	DATE	4CCT ML-XT CV CONNECTOR											
		3 PLACES ±		JFLETCHER	2015/11/02												
		2 PLACES ± 0.1		CHK'D BY	DATE	PRODUCT CUSTOMER DRAWING											
		1 PLACE ± 0.2		NDOWDS	2015/11/10												
		0 PLACES ±		APPR BY	DATE	<table border="1" style="width: 100%; border-collapse: collapse;"> <tr> <td style="width: 25%;">SERIES</td> <td style="width: 45%;">MATERIAL NUMBER</td> <td style="width: 30%;">CUSTOMER</td> </tr> <tr> <td>93443</td> <td>SEE CHART</td> <td>GENERAL MARKET</td> </tr> </table>						SERIES	MATERIAL NUMBER	CUSTOMER	93443	SEE CHART	GENERAL MARKET
		SERIES	MATERIAL NUMBER	CUSTOMER													
		93443	SEE CHART	GENERAL MARKET													
		DRAFT WHERE APPLICABLE MUST REMAIN WITHIN DIMENSIONS		DRAWING SIZE	THIRD ANGLE PROJECTION	DOCUMENT NUMBER 934430030		DOC TYPE PSD		DOC PART 000		SHEET NUMBER 7 OF 9					
		A3															



**4CCT PLUG WEDGELOCK**

SERIES NO. 93448 3 0 --

CIRCUIT SIZE 3 = 4CCT

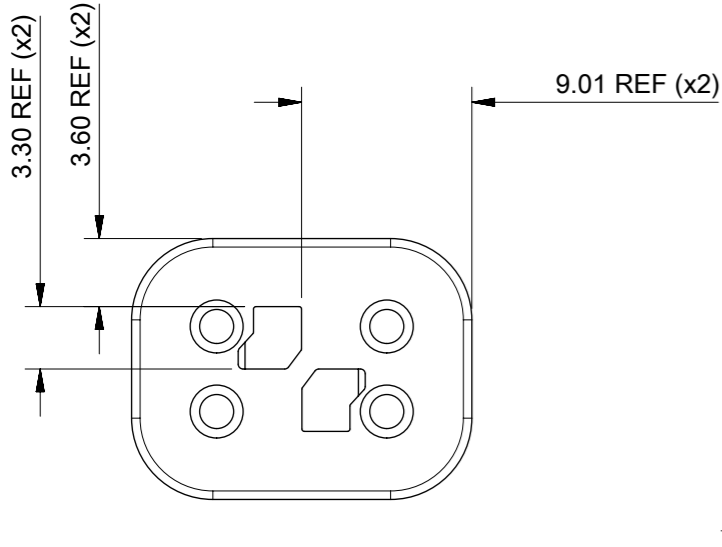
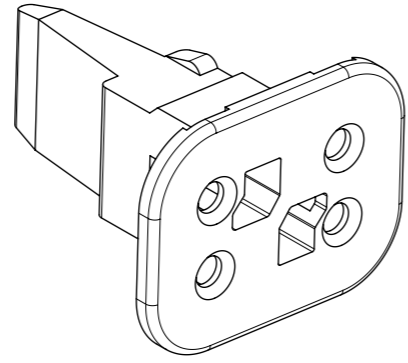
COLOUR/KEYING  
 03 = GREEN (NO KEY)  
 12 = GREY A KEY  
 21 = BLACK B KEY  
 33 = GREEN C KEY  
 47 = BROWN D KEY

**NOTES**  
 1. MATERIAL  
 HOUSING: NYLON 30%GF  
 2. INSPECTION NUMBERS 151-200 RESERVED FOR SHEET 8  
 3. PART NUMBER 934483003 SHOWN  
 LAST INSPECTION NUMBER 155

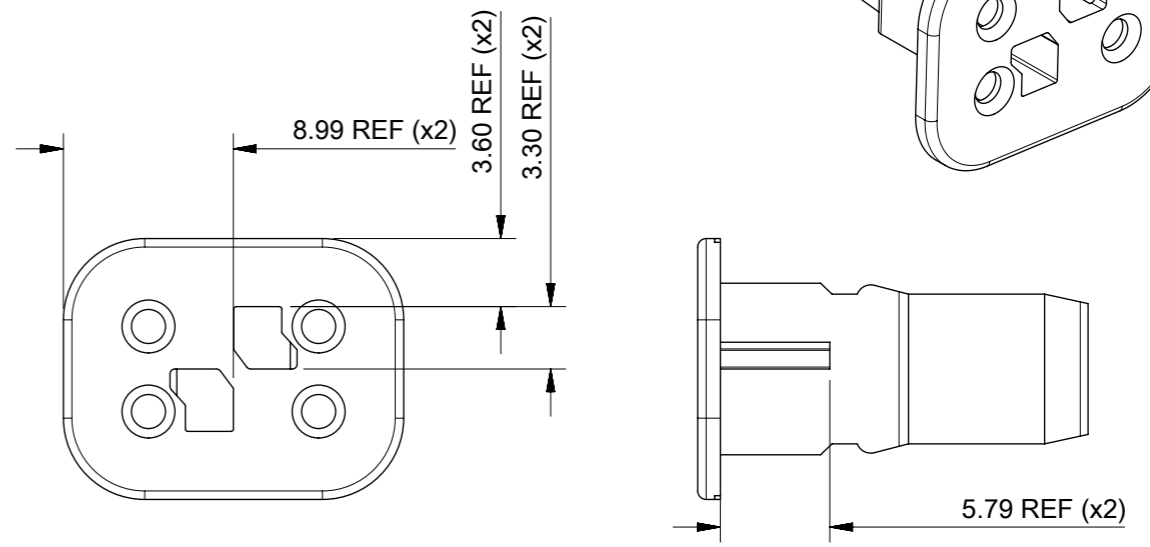
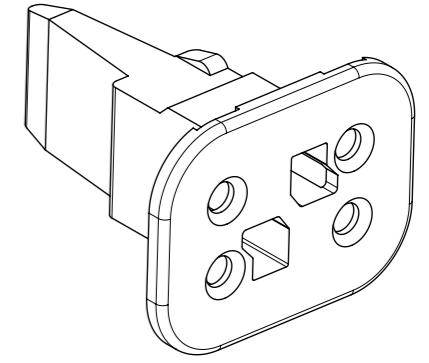
THIS DRAWING CONTAINS INFORMATION THAT IS PROPRIETARY TO MOLEX ELECTRONIC TECHNOLOGIES, LLC AND SHOULD NOT BE USED WITHOUT WRITTEN PERMISSION											
QUALITY SYMBOLS		2016/11/16 2016/11/18 2017/01/03		GENERAL TOLERANCES (UNLESS SPECIFIED)		DIMENSION UNITS		SCALE		<b>molex</b>	
▽A	= 0	SEE LONG TEXT	EC NO: 110489 DRWN: JFLETCHER CHK'D: FDUGGAN APP: JDWALLACE	ANGULAR TOL ± 2.0 °		MM		3:1			
▽E	= 0			4 PLACES	±	DRWN BY		DATE			
▽F	= 0			3 PLACES	±	JFLETCHER		2015/11/02			
▽	= 0			2 PLACES	± 0.1	CHK'D BY		DATE			
▽C	= 0			1 PLACE	± 0.2	NDOWDS		2015/11/10			
▽D	= 0			0 PLACES	±	APPR BY		DATE			
▽	= 0	DRAFT WHERE APPLICABLE MUST REMAIN WITHIN DIMENSIONS		JDWALLACE		2015/11/16		PRODUCT CUSTOMER DRAWING			
▽	= 0			DRAWING SIZE		THIRD ANGLE PROJECTION		SERIES		MATERIAL NUMBER	
				A3				93443		SEE CHART	
								CUSTOMER		GENERAL MARKET	
								DOCUMENT NUMBER		DOC TYPE	
								934430030		PSD	
								DOC PART		SHEET NUMBER	
								000		8 OF 9	



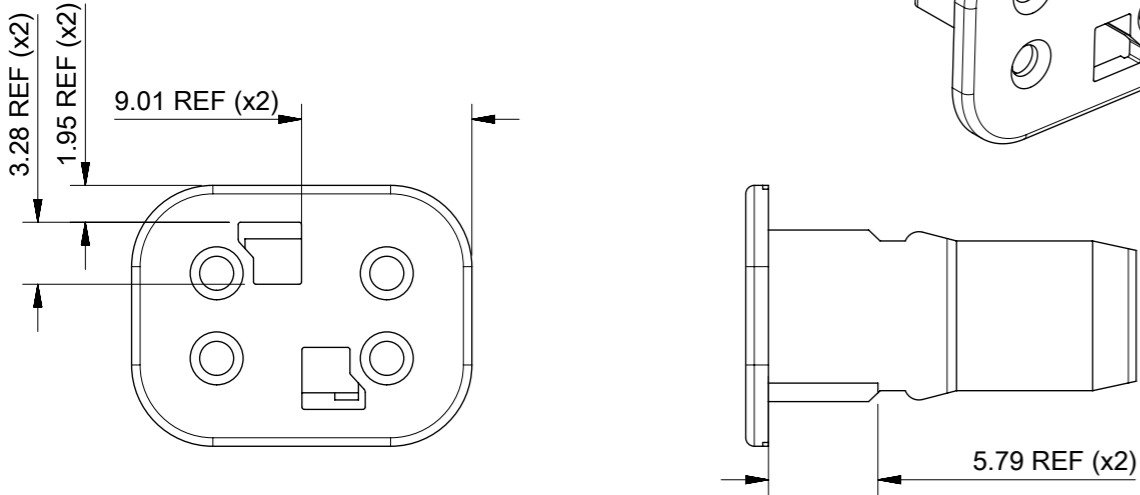
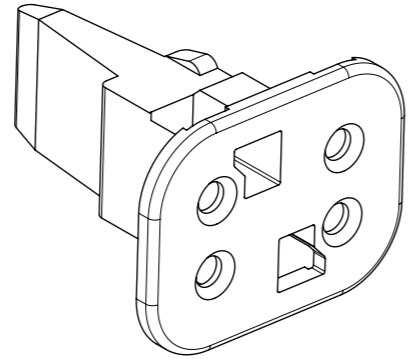
934483012 (KEY A)  
COLOUR GREY



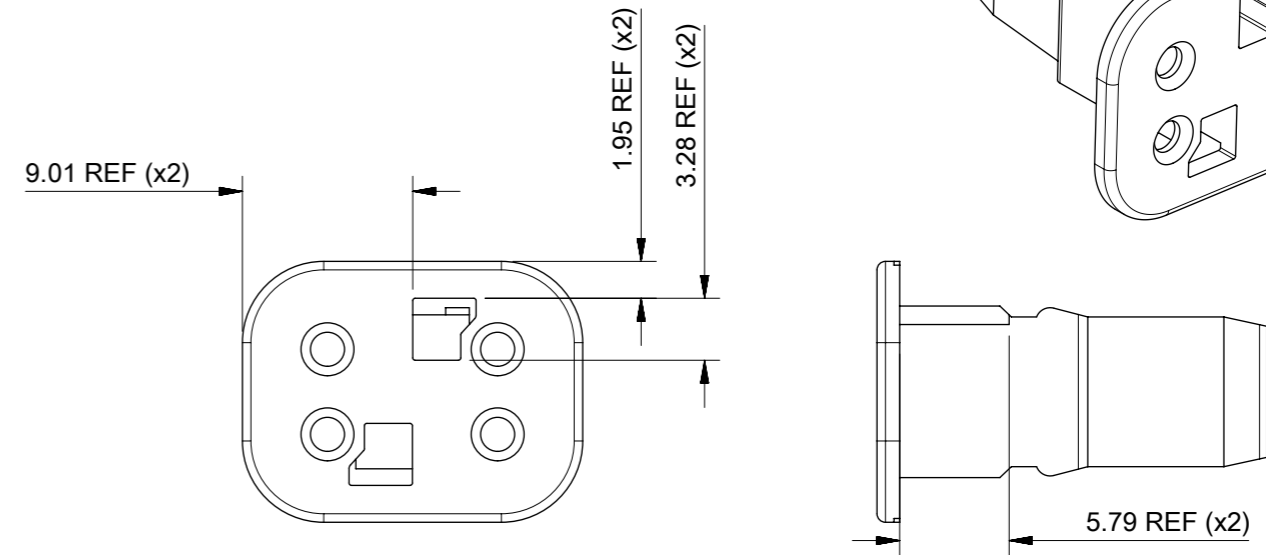
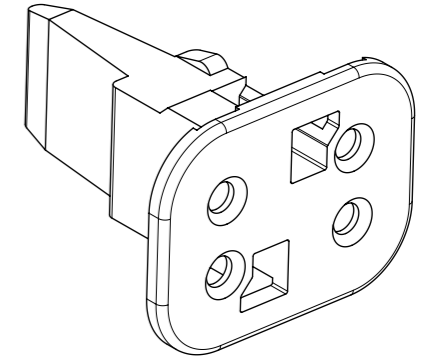
934483021 (KEY B)  
COLOUR BLACK



934483033 (KEY C)  
COLOUR GREEN



934483047 (KEY D)  
COLOUR BROWN



NOTES:  
1. MATERIAL PA66 30%GF  
2. SEE SHEET 4 FOR UNSPECIFIED NOTES & DIMENSIONS

THIS DRAWING CONTAINS INFORMATION THAT IS PROPRIETARY TO MOLEX ELECTRONIC TECHNOLOGIES, LLC AND SHOULD NOT BE USED WITHOUT WRITTEN PERMISSION																			
QUALITY SYMBOLS		GENERAL TOLERANCES (UNLESS SPECIFIED)			DIMENSION UNITS		SCALE												
▽A	= 0	ANGULAR TOL ± 2.0 °			MM		2.5:1												
▽E	= 0	4 PLACES ±			DRWN BY		DATE		4CCT ML-XT CV CONNECTOR										
▽F	= 0	3 PLACES ±			JFLETCHER		2015/11/02												
▽B	= 0	2 PLACES ± 0.1			CHK'D BY		DATE		PRODUCT CUSTOMER DRAWING										
▽C	= 0	1 PLACE ± 0.2			NDOWDS		2015/11/10												
▽D	= 0	0 PLACES ±			APPR BY		DATE		<table border="1"> <tr> <td>SERIES</td> <td>MATERIAL NUMBER</td> <td>CUSTOMER</td> </tr> <tr> <td>93443</td> <td>SEE CHART</td> <td>GENERAL MARKET</td> </tr> </table>			SERIES	MATERIAL NUMBER	CUSTOMER	93443	SEE CHART	GENERAL MARKET		
SERIES	MATERIAL NUMBER	CUSTOMER																	
93443	SEE CHART	GENERAL MARKET																	
▽	= 0	DRAFT WHERE APPLICABLE MUST REMAIN WITHIN DIMENSIONS			JDWALLACE		2015/11/16		<table border="1"> <tr> <td>DOCUMENT NUMBER</td> <td>DOC TYPE</td> <td>DOC PART</td> <td>SHEET NUMBER</td> </tr> <tr> <td>934430030</td> <td>PSD</td> <td>000</td> <td>9 OF 9</td> </tr> </table>			DOCUMENT NUMBER	DOC TYPE	DOC PART	SHEET NUMBER	934430030	PSD	000	9 OF 9
DOCUMENT NUMBER	DOC TYPE	DOC PART	SHEET NUMBER																
934430030	PSD	000	9 OF 9																
▽	= 0				DRAWING SIZE		THIRD ANGLE PROJECTION												
					A3														
<table border="1"> <tr> <td>RELEASE STATUS</td> <td>ER</td> <td>RELEASE DATE</td> <td>18.11.2016</td> <td>14:21:32</td> </tr> </table>		RELEASE STATUS	ER	RELEASE DATE	18.11.2016	14:21:32													
RELEASE STATUS	ER	RELEASE DATE	18.11.2016	14:21:32															