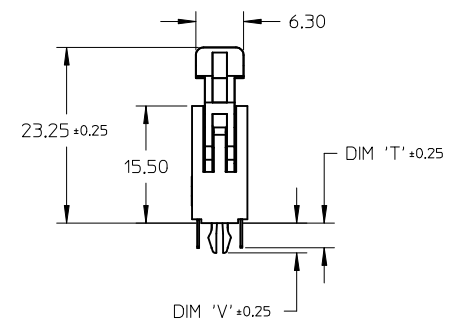
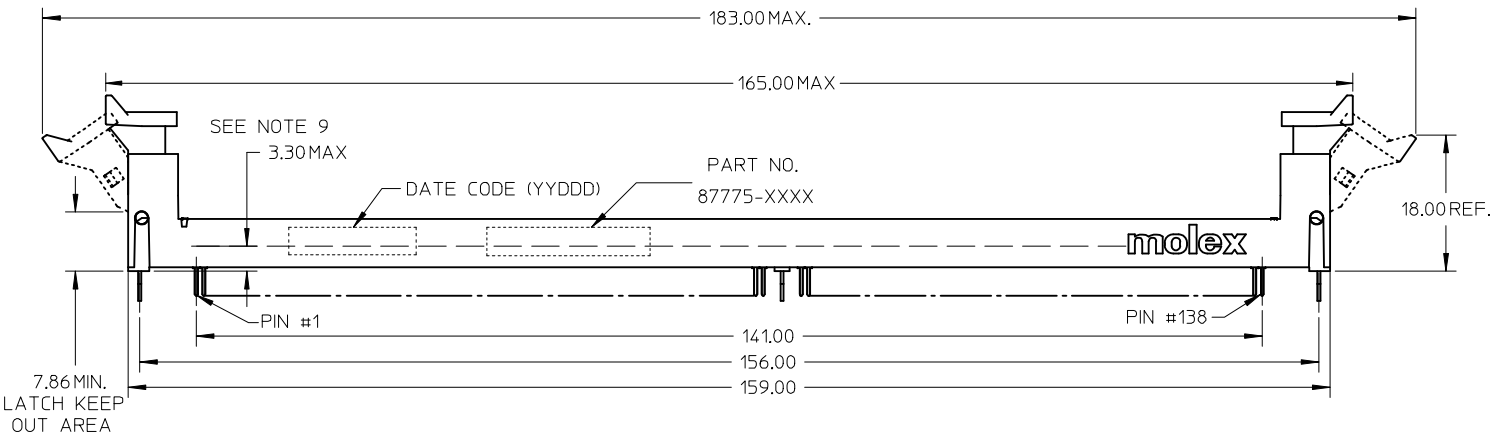
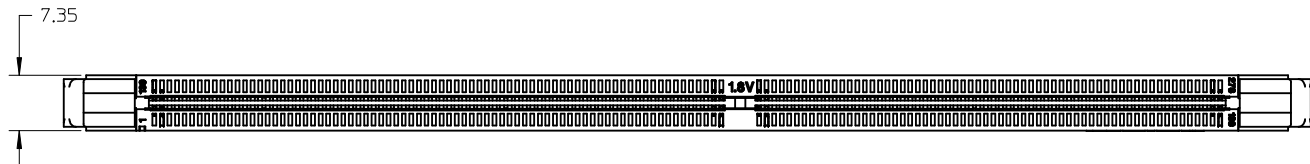
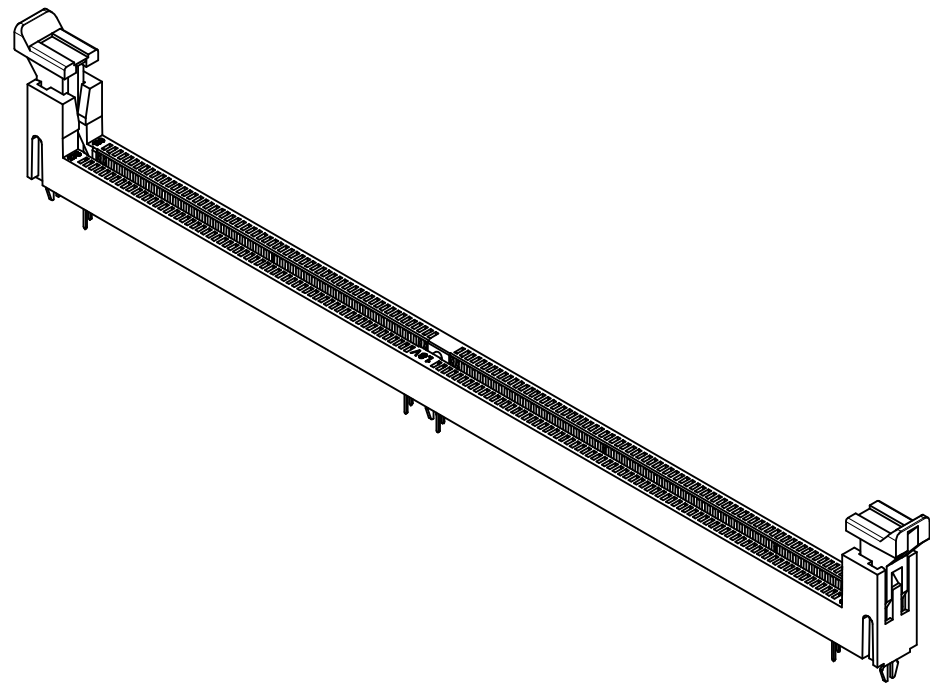
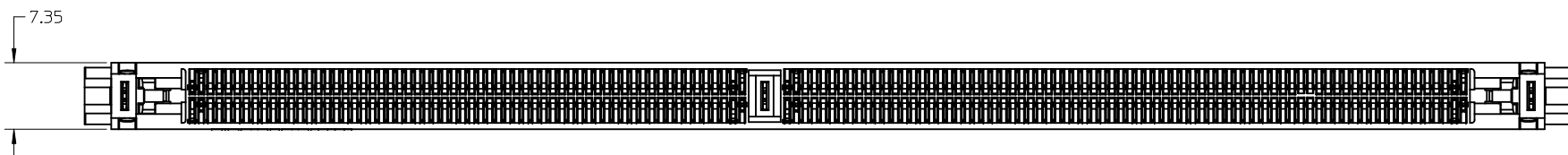


- NOTES:
1. MATERIALS
 HOUSING - HIGH TEMP. NYLON GLASS FILLED, UL 94V-0, COLOR: BLACK
 EJECTORS - HIGH TEMP. NYLON GLASS FILLED, UL 94V-0, COLOR: NATURAL (OFF WHITE)
 TERMINALS - COPPER ALLOY
 2. PLATING - SEE TABLE IN SHEET 5.
 3. CARD SLOT ACCEPTS 1.27±0.10MM MODULE THICKNESS. (MEASURED OVER P.C. PADS)
 4. RECOMMENDED MODULE LAYOUT SHALL BE AS PER SHEET 3.
 5. REFER TO PRODUCT SPEC. PS-87775-018 FOR PERFORMANCE SPECIFICATIONS.
 6. PRODUCT IS PACKED IN TRAYS. REFER TO SHEET 6.
 7. PRODUCT WILL HAVE DATE STAMPED ON SIDE OF HOUSING.
 8. THE KEEP OUT AREA IS THE AREA WHERE THE CONNECTOR IS MOUNTED ONTO THE PCB THAT DOES NOT INCLUDE THE LATCH.
 9. DIMM MODULE SEATING PLANE FROM TOP OF PCB.



UPDATE HSG VIEW EC NO: S2007-1012 DRWN:CMTEO 2007/05/21 CHKD:CCTEH 2007/05/21 APPR:SHLENI 2007/05/21	DESCRIPTION REV	QUALITY SYMBOLS	GENERAL TOLERANCES (UNLESS SPECIFIED)	DIMENSION STYLE MM ONLY	SCALE NTS	DESIGN UNITS METRIC	THIRD ANGLE PROJECTION	
		▽=0 Ⓢ=0	mm INCH 4 PLACES ± --- ± --- 3 PLACES ± --- ± --- 2 PLACES ± 0.20 ± --- 1 PLACE ± --- ± --- ANGULAR ± 5 °	DRAWN BY DATE CMTEO 2007/02/23 CHECKED BY DATE CCTEH 2007/04/03 APPROVED BY DATE SHLENI 2007/04/03	TITLE	DDR2 DIMM, 100MM PITCH 276 CKTS, VERTICAL T/H FORK-LOCK		
			DRAFT WHERE APPLICABLE MUST REMAIN WITHIN DIMENSIONS	SEE TABLE	MOLEX INCORPORATED DOCUMENT NO. SD-87775-002		SHEET NO. 1 OF 6	
		A1	SIZE A3	THIS DRAWING CONTAINS INFORMATION THAT IS PROPRIETARY TO MOLEX INCORPORATED AND SHOULD NOT BE USED WITHOUT WRITTEN PERMISSION				

10 9 8 7 6 5 4 3 2 1

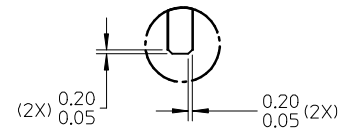
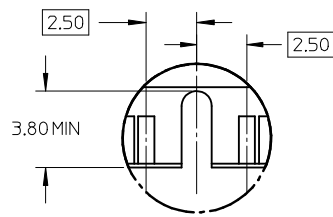
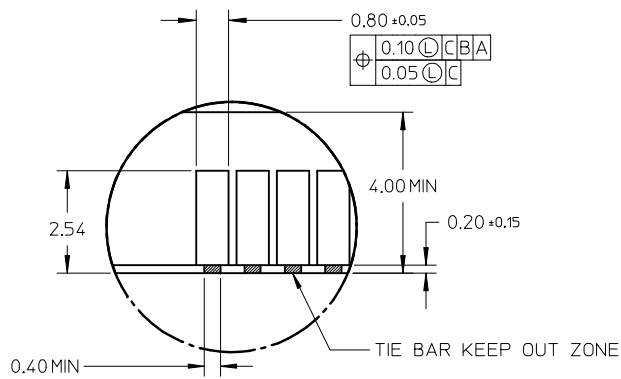
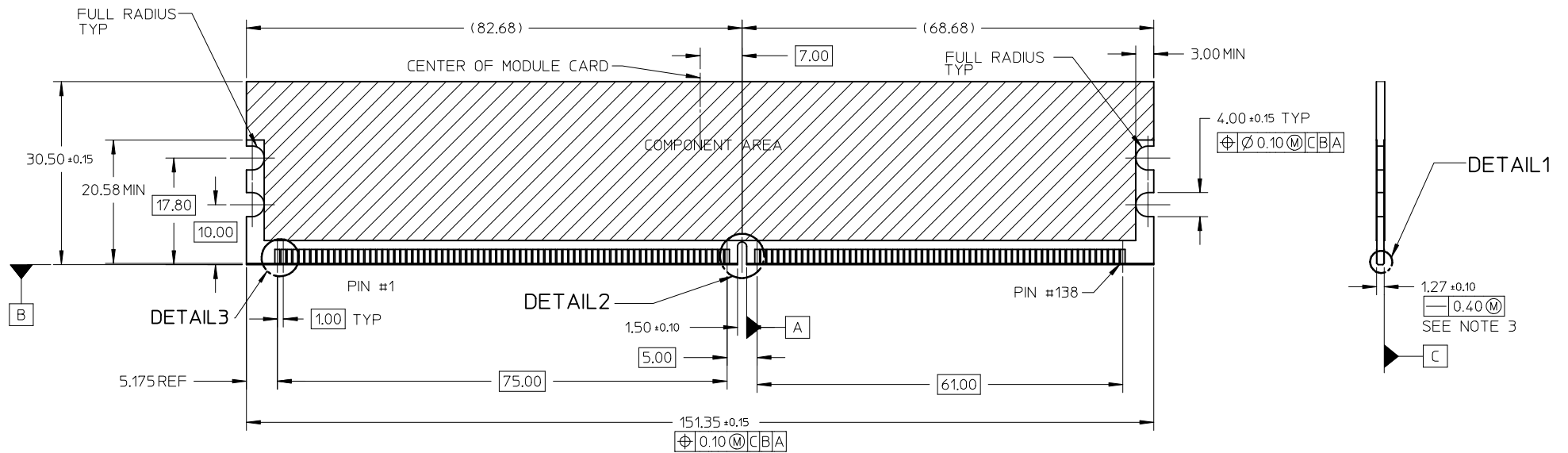


UPDATE HSG VIEW EC NO: S2007-1012 DRWN:CMTEO 2007/05/21 CHKD:CCTEH 2007/05/21 APPR:SHLENI 2007/05/21	DESCRIPTION REV	QUALITY SYMBOLS ▽=0 ◻=0	GENERAL TOLERANCES (UNLESS SPECIFIED)		DIMENSION STYLE MM ONLY		SCALE NTS	DESIGN UNITS METRIC	THIRD ANGLE PROJECTION	
		4 PLACES ± --- ± --- 3 PLACES ± --- ± --- 2 PLACES ± 0.20 ± --- 1 PLACE ± --- ± ---	mm INCH	DRAWN BY CMTEO	DATE 2007/02/23	TITLE DDR2 DIMM, 100MM PITCH 276 CKTS, VERTICAL T/H FORK-LOCK				
		ANGULAR ± 5 °		CHECKED BY CCTEH	DATE 2007/04/03	MOLEX INCORPORATED				
		DRAFT WHERE APPLICABLE MUST REMAIN WITHIN DIMENSIONS		APPROVED BY SHLENI	DATE 2007/04/03	MATERIAL NO. SEE TABLE	DOCUMENT NO. SD-87775-002	SHEET NO. 2 OF 6		

9 8 7 6 5 4 3 2 1

10 9 8 7 6 5 4 3 2 1

RECOMMENDED MODULE LAYOUT



NOTES:
1. MODULE CARD USED FOR TESTS ARE WITH 0.10MM CHAMFER.

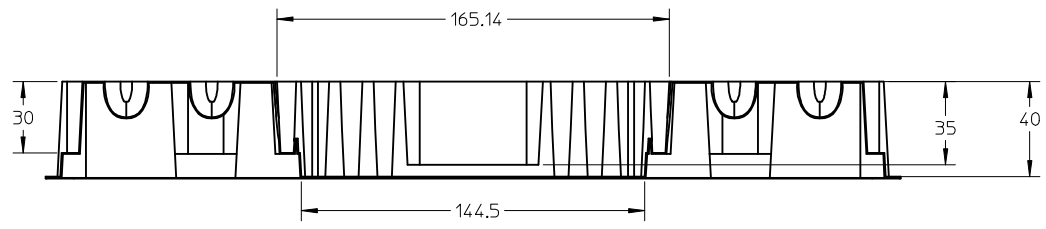
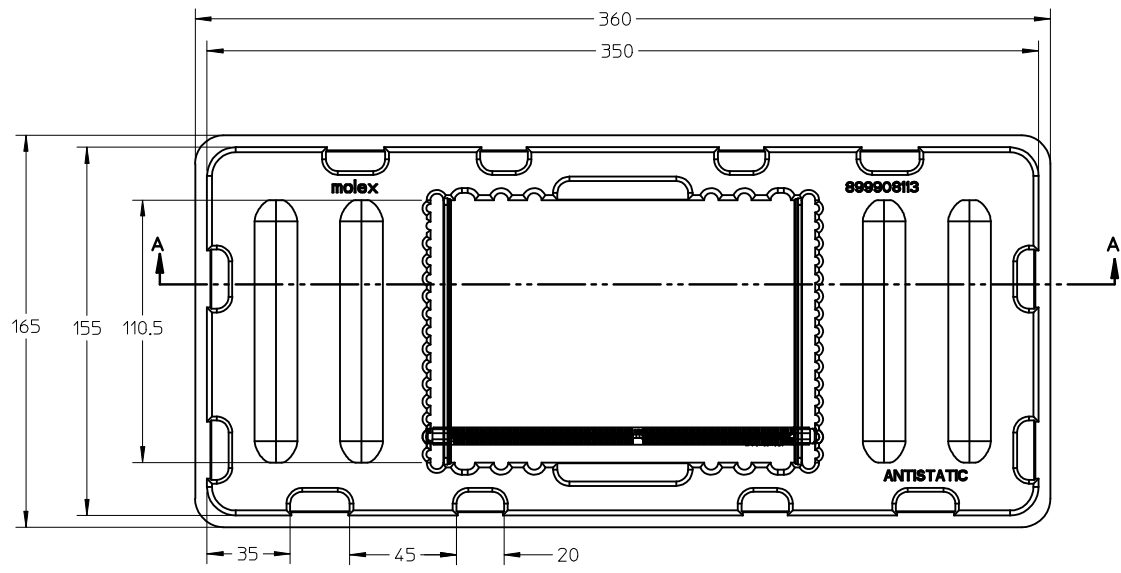
UPDATE HSG VIEW EC NO: S2007-1012 DRWN: CMTEO 2007/05/21 CHKD: CCTEH 2007/05/21 APPR: SHLENI 2007/05/21	QUALITY SYMBOLS ▽=0 ◻=0	GENERAL TOLERANCES (UNLESS SPECIFIED) mm INCH 4 PLACES ± --- ± --- 3 PLACES ± --- ± --- 2 PLACES ± 0.20 ± --- 1 PLACE ± --- ± --- ANGULAR ± 5 °	DIMENSION STYLE MM ONLY DRAWN BY: CMTEO DATE: 2007/02/23 CHECKED BY: CCTEH DATE: 2007/04/03 APPROVED BY: SHLENI DATE: 2007/04/03	SCALE NTS DESIGN UNITS METRIC THIRD ANGLE PROJECTION	TITLE DDR2 DIMM, 100MM PITCH 276 CKTS, VERTICAL T/H FORK-LOCK
	DRAFT WHERE APPLICABLE MUST REMAIN WITHIN DIMENSIONS	MATERIAL NO. SEE TABLE	MOLEX INCORPORATED DOCUMENT NO. SD-87775-002	SHEET NO. 3 OF 6	
	SIZE A3	THIS DRAWING CONTAINS INFORMATION THAT IS PROPRIETARY TO MOLEX INCORPORATED AND SHOULD NOT BE USED WITHOUT WRITTEN PERMISSION			
	REV A1				

9 8 7 6 5 4 3 2 1

PART NO	KEY POS.	DIM 'T'	DIM 'V'	RECOMMENDED PCB THICKNESS	PLATING
87775-1001	CENTER	2.67	3.94	1.57	0.76μM/ 30μIN MIN. GOLD ON CONTACT, 2.54μM/ 100μIN MIN. TIN ON SOLDERTAILS 1.27μM/50μIN MIN. NICKEL UNDERPLATE
87775-1011		3.18		2.36	
87775-1101		4.00	4.42	3.00	

UPDATE HSG VIEW EC NO: S2007-1012 DRWN:CMTEO 2007/05/21 CHKD:CCTEH 2007/05/21 APPR:SHLENI 2007/05/21	DESCRIPTION REV	QUALITY SYMBOLS ▽=0 ◻=0	GENERAL TOLERANCES (UNLESS SPECIFIED)		DIMENSION STYLE MM ONLY		SCALE NTS	DESIGN UNITS METRIC	THIRD ANGLE PROJECTION		
			4 PLACES ± --- ± --- 3 PLACES ± --- ± --- 2 PLACES ± 0.20 ± --- 1 PLACE ± --- ± ---	mm INCH ± --- ± --- ± 0.20 ± --- ± --- ± ---	DRAWN BY CMTEO	DATE 2007/02/23	TITLE DDR2 DIMM, 100MM PITCH 276 CKTS, VERTICAL T/H FORK-LOCK				
			ANGULAR ± 5 °		CHECKED BY CCTEH	DATE 2007/04/03	MOLEX INCORPORATED				
			DRAFT WHERE APPLICABLE MUST REMAIN WITHIN DIMENSIONS		APPROVED BY SHLENI	DATE 2007/04/03	MATERIAL NO. SEE TABLE	DOCUMENT NO. SD-87775-002	SHEET NO. 5 OF 6		

10 9 8 7 6 5 4 3 2 1



SECTION A-A

NOTE:

1. CAVITY QTY : 1 X 15 = 15PCS.

UPDATE HSG VIEW EC NO: S2007-1012 DRWN: CMTEO 2007/05/21 CH'KD: CCTEH 2007/05/21 APPR: SHLENI 2007/05/21	QUALITY SYMBOLS ▽=0 ▽=0	GENERAL TOLERANCES (UNLESS SPECIFIED)		DIMENSION STYLE	SCALE	DESIGN UNITS	THIRD ANGLE PROJECTION	
				MM ONLY	NTS	METRIC		
								TITLE
				DRAWN BY	DATE	DDR2 DIMM, 1.00MM PITCH 276 CKTS, VERTICAL T/H FORK-LOCK		
				CMTEO	2007/02/23	MOLEX INCORPORATED		
				CHECKED BY	DATE	DOCUMENT NO.		
				CCTEH	2007/04/03	SD-87775-002		
				APPROVED BY	DATE	SHEET NO.		
				SHLENI	2007/04/03	6 OF 6		
				MATERIAL NO.		THIS DRAWING CONTAINS INFORMATION THAT IS PROPRIETARY TO MOLEX INCORPORATED AND SHOULD NOT BE USED WITHOUT WRITTEN PERMISSION		
				SEE TABLE				

9 8 7 6 5 4 3 2 1