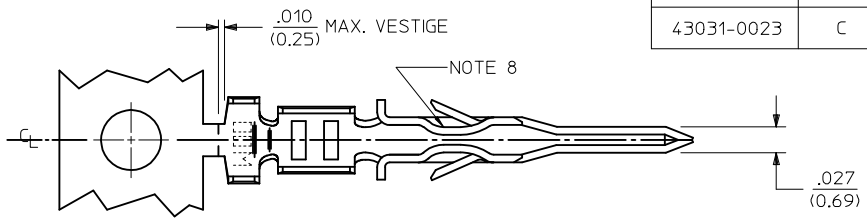
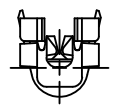
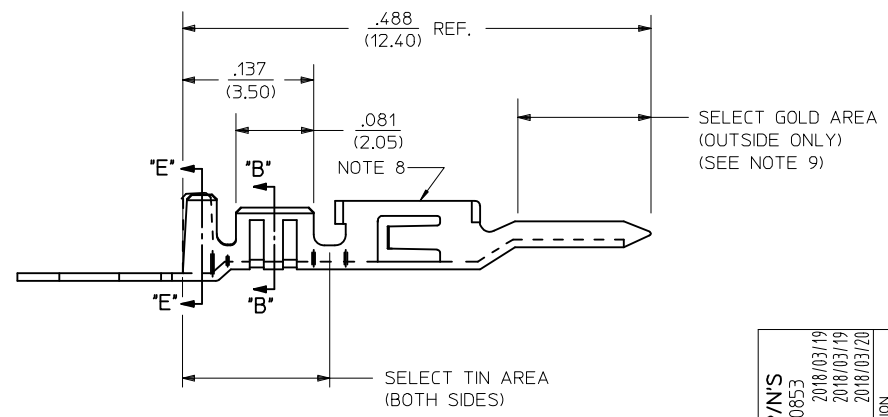


WIRE SIZE	MAX. INSULATION
18 OR 0.75mm ² (SEE NOTE 11)	.073/(1.85)
20-24	.073/(1.85)
26-30	.050/(1.27)

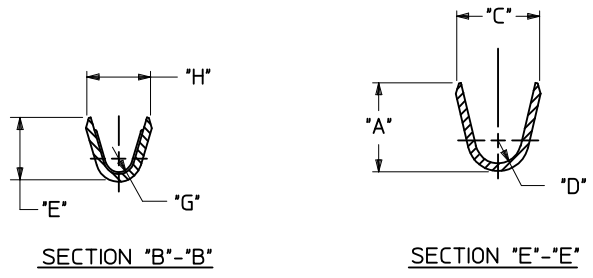
ITEM NUMBER	PLATING OPTION	WIRE SIZE	ASSEMBLY OPTION	"A" ±.016 (±0.41)	"C" ±.012 (±0.30)	"D" ±.005 (±0.13)	"E" ±.016 (±0.41)	"G" ±.005 (±0.13)	"H" ±.012 (±0.30)
43031-0001	A	20-24	CHAIN	.090/(2.29)	.100/(2.54)	.030/(0.76) R.	.075/(1.91)	.025/(0.64) R.	.082/(2.08)
43031-0002	B	20-24	CHAIN	.090/(2.29)	.100/(2.54)	.030/(0.76) R.	.075/(1.91)	.025/(0.64) R.	.082/(2.08)
43031-0003	C	20-24	CHAIN	.090/(2.29)	.100/(2.54)	.030/(0.76) R.	.075/(1.91)	.025/(0.64) R.	.082/(2.08)
43031-0004	A	26-30	CHAIN	.075/(1.91)	.083/(2.10)	.025/(0.64) R.	.058/(1.47)	.020/(0.51) R.	.065/(1.65)
43031-0005	B	26-30	CHAIN	.075/(1.91)	.083/(2.10)	.025/(0.64) R.	.058/(1.47)	.020/(0.51) R.	.065/(1.65)
43031-0006	C	26-30	CHAIN	.075/(1.91)	.083/(2.10)	.025/(0.64) R.	.058/(1.47)	.020/(0.51) R.	.065/(1.65)
43031-0007	A	20-24	LOOSE	.090/(2.29)	.100/(2.54)	.030/(0.76) R.	.075/(1.91)	.025/(0.64) R.	.082/(2.08)
43031-0008	B	20-24	LOOSE	.090/(2.29)	.100/(2.54)	.030/(0.76) R.	.075/(1.91)	.025/(0.64) R.	.082/(2.08)
43031-0009	C	20-24	LOOSE	.090/(2.29)	.100/(2.54)	.030/(0.76) R.	.075/(1.91)	.025/(0.64) R.	.082/(2.08)
43031-0010	A	26-30	LOOSE	.075/(1.91)	.083/(2.10)	.025/(0.64) R.	.058/(1.47)	.020/(0.51) R.	.065/(1.65)
43031-0011	B	26-30	LOOSE	.075/(1.91)	.083/(2.10)	.025/(0.64) R.	.058/(1.47)	.020/(0.51) R.	.065/(1.65)
43031-0012	C	26-30	LOOSE	.075/(1.91)	.083/(2.10)	.025/(0.64) R.	.058/(1.47)	.020/(0.51) R.	.065/(1.65)
43031-0021	A	18 OR 0.75mm ² (SEE NOTE 11)	CHAIN	.090/(2.29)	.100/(2.54)	.030/(0.76) R.	.086/(2.18)	.029/(0.74) R.	.094/(2.39)
43031-0022	B	18 OR 0.75mm ² (SEE NOTE 11)	CHAIN	.090/(2.29)	.100/(2.54)	.030/(0.76) R.	.086/(2.18)	.029/(0.74) R.	.094/(2.39)
43031-0023	C	18 OR 0.75mm ² (SEE NOTE 11)	CHAIN	.090/(2.29)	.100/(2.54)	.030/(0.76) R.	.086/(2.18)	.029/(0.74) R.	.094/(2.39)



NOTES:
 1) MATERIAL: PHOSPHOR BRONZE ALLOY
 2) TERMINAL PLATING:
 "A" = HOT TIN DIP: .000040/(0.00102) MIN.
 "B" = .000015/(0.00038) MIN. SELECT GOLD
 .000100/(0.00254) MIN. SELECT TIN
 OVER .000050/(0.00127) MIN. NICKEL
 "C" = .000030/(0.00076) MIN. SELECT GOLD
 .000100/(0.00254) MIN. SELECT TIN
 OVER .000050/(0.00127) MIN. NICKEL
 * MATERIAL NUMBERS WITH SELECT PLATING ARE
 POST-PLATED AFTER FORMING
 3) PRODUCT SPECIFICATION: PS-43045, PS-43650, PS-44300-001.
 4) PACKAGING SPECIFICATION: PK-43031-001 (REEL), AND PK-43030-003 (LOOSE).
 5) TERMINAL FOR USE IN MICRO FIT PLUG SERIES 43020, 43640, 44300, AND 46625.
 6) FOR TERMINAL ORIENTATION IN PLUG SEE DRAWINGS FOR PLUG HOUSINGS.
 7) THIS TERMINAL IS DESIGNED IN METRIC.
 8) TERMINAL MAY HAVE AN INWARD OR OUTWARD FORMED SHAPE IN THIS AREA.
 9) SOME GOLD MAY BE PRESENT ON INSIDE SURFACE.
 10) TEXT ON PART IS FOR REFERENCE ONLY. TEXT AND TEXT LOCATION MAY
 VARY DEPENDING ON PART NUMBER AND/OR TOOL.
 11) PART NUMBERS FOR 18 AWG OR 0.75 mm² ARE DESIGNED FOR 1061 STYLE WIRE
 OR A .073/1.85 MAXIMUM INSULATION OUTSIDE DIAMETER.

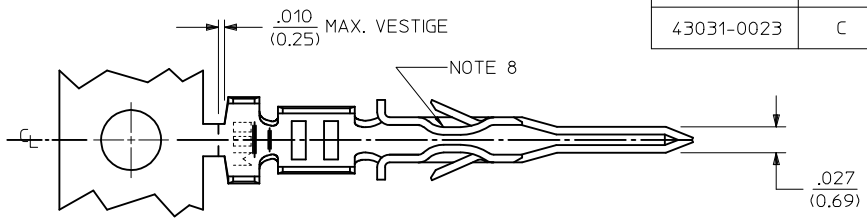


ADD 18AWG P/N'S EC NO: UCP2018-0853 DRWNS:SSOUSEK 2018/03/19 CHKD:JBELL 2018/03/19 APPR:FSMITH 2018/03/20	QUALITY SYMBOLS ∇=0 ∇=0 ∇=0	GENERAL TOLERANCES (UNLESS SPECIFIED)		DIMENSION STYLE IN/MM		SCALE	DESIGN UNITS METRIC	THIRD ANGLE PROJECTION		
		mm		INCH		DRAWN BY	DATE	TITLE		
		4 PLACES ± ---		± ---		MUELLER	2002/08/13	MICRO-FIT (3.0) MALE TERMINAL		
		3 PLACES ± ---		±.014		CHECKED BY	DATE	molex		
2 PLACES ± 0.25		±.010		MUELLER	2002/08/13	APPROVED BY		DATE	MATERIAL NO. SEE CHART	
1 PLACE ± 0.35		± ---		MARGULIS	2002/08/13	DOCUMENT NO.		SHEET NO.		
0 PLACE ±		±				SD-43031-****		1 OF 1		
ANGULAR ±1/2°		DRAFT WHERE APPLICABLE MUST REMAIN WITHIN DIMENSIONS		THIS DRAWING CONTAINS INFORMATION THAT IS PROPRIETARY TO MOLEX INCORPORATED AND SHOULD NOT BE USED WITHOUT WRITTEN PERMISSION						

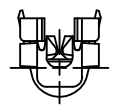
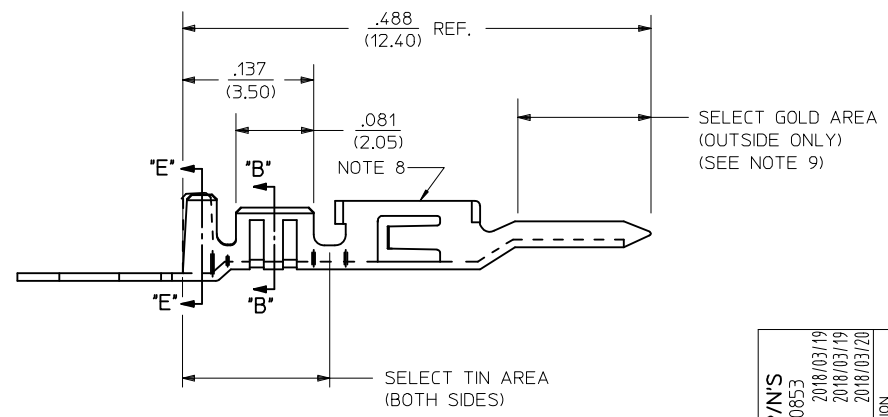


WIRE SIZE	MAX. INSULATION
18 OR 0.75mm ² (SEE NOTE 11)	.073/(1.85)
20-24	.073/(1.85)
26-30	.050/(1.27)

ITEM NUMBER	PLATING OPTION	WIRE SIZE	ASSEMBLY OPTION	"A" ±.016 (±0.41)	"C" ±.012 (±0.30)	"D" ±.005 (±0.13)	"E" ±.016 (±0.41)	"G" ±.005 (±0.13)	"H" ±.012 (±0.30)
43031-0001	A	20-24	CHAIN	.090/(2.29)	.100/(2.54)	.030/(0.76) R.	.075/(1.91)	.025/(0.64) R.	.082/(2.08)
43031-0002	B	20-24	CHAIN	.090/(2.29)	.100/(2.54)	.030/(0.76) R.	.075/(1.91)	.025/(0.64) R.	.082/(2.08)
43031-0003	C	20-24	CHAIN	.090/(2.29)	.100/(2.54)	.030/(0.76) R.	.075/(1.91)	.025/(0.64) R.	.082/(2.08)
43031-0004	A	26-30	CHAIN	.075/(1.91)	.083/(2.10)	.025/(0.64) R.	.058/(1.47)	.020/(0.51) R.	.065/(1.65)
43031-0005	B	26-30	CHAIN	.075/(1.91)	.083/(2.10)	.025/(0.64) R.	.058/(1.47)	.020/(0.51) R.	.065/(1.65)
43031-0006	C	26-30	CHAIN	.075/(1.91)	.083/(2.10)	.025/(0.64) R.	.058/(1.47)	.020/(0.51) R.	.065/(1.65)
43031-0007	A	20-24	LOOSE	.090/(2.29)	.100/(2.54)	.030/(0.76) R.	.075/(1.91)	.025/(0.64) R.	.082/(2.08)
43031-0008	B	20-24	LOOSE	.090/(2.29)	.100/(2.54)	.030/(0.76) R.	.075/(1.91)	.025/(0.64) R.	.082/(2.08)
43031-0009	C	20-24	LOOSE	.090/(2.29)	.100/(2.54)	.030/(0.76) R.	.075/(1.91)	.025/(0.64) R.	.082/(2.08)
43031-0010	A	26-30	LOOSE	.075/(1.91)	.083/(2.10)	.025/(0.64) R.	.058/(1.47)	.020/(0.51) R.	.065/(1.65)
43031-0011	B	26-30	LOOSE	.075/(1.91)	.083/(2.10)	.025/(0.64) R.	.058/(1.47)	.020/(0.51) R.	.065/(1.65)
43031-0012	C	26-30	LOOSE	.075/(1.91)	.083/(2.10)	.025/(0.64) R.	.058/(1.47)	.020/(0.51) R.	.065/(1.65)
43031-0021	A	18 OR 0.75mm ² (SEE NOTE 11)	CHAIN	.090/(2.29)	.100/(2.54)	.030/(0.76) R.	.086/(2.18)	.029/(0.74) R.	.094/(2.39)
43031-0022	B	18 OR 0.75mm ² (SEE NOTE 11)	CHAIN	.090/(2.29)	.100/(2.54)	.030/(0.76) R.	.086/(2.18)	.029/(0.74) R.	.094/(2.39)
43031-0023	C	18 OR 0.75mm ² (SEE NOTE 11)	CHAIN	.090/(2.29)	.100/(2.54)	.030/(0.76) R.	.086/(2.18)	.029/(0.74) R.	.094/(2.39)



- NOTES:
- 1) MATERIAL: PHOSPHOR BRONZE ALLOY
 - 2) TERMINAL PLATING:
 "A" = HOT TIN DIP: .000040/(0.00102) MIN.
 "B" = .000015/(0.00038) MIN. SELECT GOLD
 .000100/(0.00254) MIN. SELECT TIN
 OVER .000050/(0.00127) MIN. NICKEL
 "C" = .000030/(0.00076) MIN. SELECT GOLD
 .000100/(0.00254) MIN. SELECT TIN
 OVER .000050/(0.00127) MIN. NICKEL
 * MATERIAL NUMBERS WITH SELECT PLATING ARE
 POST-PLATED AFTER FORMING
 - 3) PRODUCT SPECIFICATION: PS-43045, PS-43650, PS-44300-001.
 - 4) PACKAGING SPECIFICATION: PK-43031-001 (REEL), AND PK-43030-003 (LOOSE).
 - 5) TERMINAL FOR USE IN MICRO FIT PLUG SERIES 43020, 43640, 44300, AND 46625.
 - 6) FOR TERMINAL ORIENTATION IN PLUG SEE DRAWINGS FOR PLUG HOUSINGS.
 - 7) THIS TERMINAL IS DESIGNED IN METRIC.
 - 8) TERMINAL MAY HAVE AN INWARD OR OUTWARD FORMED SHAPE IN THIS AREA.
 - 9) SOME GOLD MAY BE PRESENT ON INSIDE SURFACE.
 - 10) TEXT ON PART IS FOR REFERENCE ONLY. TEXT AND TEXT LOCATION MAY VARY DEPENDING ON PART NUMBER AND/OR TOOL.
 - 11) PART NUMBERS FOR 18 AWG OR 0.75 mm² ARE DESIGNED FOR 1061 STYLE WIRE OR A .073/1.85 MAXIMUM INSULATION OUTSIDE DIAMETER.



ADD 18AWG P/N'S EC NO: UCP2018-0853 DRWNS:SSOUSEK 2018/03/19 CHKD:JBELL 2018/03/19 APPR:FSMITH 2018/03/20	QUALITY SYMBOLS ∇=0 ∇=0 ∇=0	GENERAL TOLERANCES (UNLESS SPECIFIED)		DIMENSION STYLE IN/MM		SCALE	DESIGN UNITS METRIC	THIRD ANGLE PROJECTION													
		<table border="1"> <tr><th>mm</th><th>INCH</th></tr> <tr><td>4 PLACES ± ---</td><td>± ---</td></tr> <tr><td>3 PLACES ± ---</td><td>±.014</td></tr> <tr><td>2 PLACES ± 0.25</td><td>±.010</td></tr> <tr><td>1 PLACE ± 0.35</td><td>± ---</td></tr> <tr><td>0 PLACE ±</td><td>±</td></tr> </table>		mm	INCH	4 PLACES ± ---	± ---	3 PLACES ± ---	±.014	2 PLACES ± 0.25	±.010	1 PLACE ± 0.35	± ---	0 PLACE ±	±	DRAWN BY DATE MUELLER 2002/08/13		TITLE MICRO-FIT (3.0) MALE TERMINAL		SHEET NO. 1 OF 1	
		mm	INCH																		
		4 PLACES ± ---	± ---																		
3 PLACES ± ---	±.014																				
2 PLACES ± 0.25	±.010																				
1 PLACE ± 0.35	± ---																				
0 PLACE ±	±																				
ANGULAR ±1/2°		APPROVED BY DATE MARGULIS 2002/08/13		DOCUMENT NO. SD-43031-****		MATERIAL NO.															
DRAFT WHERE APPLICABLE MUST REMAIN WITHIN DIMENSIONS		SEE CHART		THIS DRAWING CONTAINS INFORMATION THAT IS PROPRIETARY TO MOLEX INCORPORATED AND SHOULD NOT BE USED WITHOUT WRITTEN PERMISSION																	