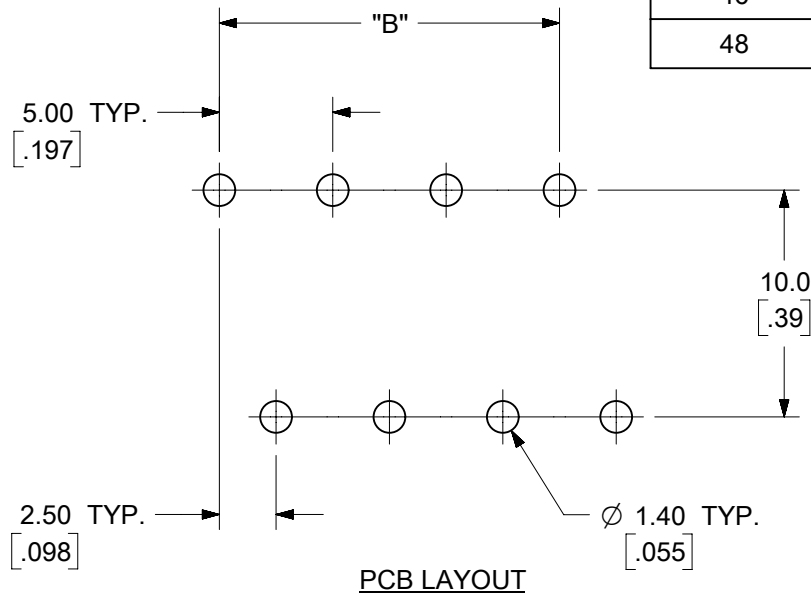


- SPECIFICATIONS:**
- MATERIAL:**
 - (A) BODY: PA66 (UL 94V-0).
 - (B) PIN: BRASS.
 - (C) COVER: PBT (UL 94V-0).
 - ELECTRICAL RATING:** 300V, 15A.
 - DIELECTRIC WITHSTAND:** AC 2500V FOR 1 MINUTE.
 - BREAKDOWN VOLTAGE:** 4000V.
 - INSULATION RESISTANCE:** DC 1000V, 1000 MEGOHMS.
 - OPERATING TEMPERATURE:** -40°C TO +105°C.
 - NUMBER OF CIRCUIT POSITIONS AVAILABLE= 4**
THROUGH 48, EVEN NUMBERED CIRCUIT SIZES ONLY.
 - ALL COMPONENTS ARE ROHS COMPLIANT.**
 - DIMS SHOWN ARE FOR REFERENCE ONLY.**

| TOLERANCES | | | |
|------------|-------|-----------|-------|
| MM | TOL | INCH | TOL |
| 0-6 | ±0.25 | 0-.24 | ±.010 |
| >6-30 | ±0.40 | .24-1.18 | ±.016 |
| >30-120 | ±0.50 | 1.18-4.76 | ±.020 |
| >120 | ±0.80 | >4.76 | ±.031 |

| | | | | | | |
|--|--|---|--|--|--|--|
| SYMBOLS DIMENSION UNITS: MM/INCH SCALE: 3:1 GENERAL TOLERANCES (UNLESS SPECIFIED): 4 PLACES ± --- ± --- 3 PLACES ± --- ± SEE CHART 2 PLACES ± SEE CHART ± SEE CHART 1 PLACE ± SEE CHART ± --- 0 PLACES ± --- ± --- ANGULAR TOL ± --- DRAFT WHERE APPLICABLE MUST REMAIN WITHIN DIMENSIONS THIRD ANGLE PROJECTION DRAWING: B-SIZE SERIES: 39528 | | THIS DRAWING CONTAINS INFORMATION THAT IS PROPRIETARY TO MOLEX ELECTRONIC TECHNOLOGIES, LLC AND SHOULD NOT BE USED WITHOUT WRITTEN PERMISSION CURRENT REV DESC: MIGRATION TO ECTR/NX EC NO: 620717 DRWN: ABENJAMINLW 2019/07/11 CHK'D: DACHAMMER 2019/07/16 APPR: JFMURPHY 2019/08/02 INITIAL REVISION: DRWN: LROTHAUS 2006/01/09 APPR: JPAWLICK 2006/01/10 | | molex 5.0MM, EURO DUAL HEADER, HORIZONTAL, OPEN END, STACKABLE PRODUCT CUSTOMER DRAWING DOCUMENT NUMBER: SD-39528-001 DOC TYPE: PSD DOC PART: 001 REVISION: B2 MATERIAL NUMBER: SEE SHEET-2 CUSTOMER: GENERAL MARKET SHEET NUMBER: 1 OF 2 | | |
|--|--|---|--|--|--|--|

| CIRCUIT SIZE | MATERIAL NUMBERS | | | | DIMENSIONAL INFORMATION | | | |
|--------------|------------------|------------|-----------|------------|-------------------------|-------|----------|-------|
| | BLACK | | GREEN | | DIM. "A" | | DIM. "B" | |
| | 100% TIN | 30 u" GOLD | 100% TIN | 30 u" GOLD | mm | inch | mm | inch |
| 4 | 395280004 | 395280504 | 395285004 | 395285504 | 10.00 | .394 | 5.00 | .197 |
| 6 | 395280006 | 395280506 | 395285006 | 395285506 | 15.00 | .591 | 10.00 | .394 |
| 8 | 395280008 | 395280508 | 395285008 | 395285508 | 20.00 | .787 | 15.00 | .591 |
| 10 | 395280010 | 395280510 | 395285010 | 395285510 | 25.00 | .984 | 20.00 | .787 |
| 12 | 395280012 | 395280512 | 395285012 | 395285512 | 30.00 | 1.181 | 25.00 | .984 |
| 14 | 395280014 | 395280514 | 395285014 | 395285514 | 35.00 | 1.378 | 30.00 | 1.181 |
| 16 | 395280016 | 395280516 | 395285016 | 395285516 | 40.00 | 1.575 | 35.00 | 1.378 |
| 18 | 395280018 | 395280518 | 395285018 | 395285518 | 45.00 | 1.772 | 40.00 | 1.575 |
| 20 | 395280020 | 395280520 | 395285020 | 395285520 | 50.00 | 1.969 | 45.00 | 1.772 |
| 22 | 395280022 | 395280522 | 395285022 | 395285522 | 55.00 | 2.165 | 50.00 | 1.969 |
| 24 | 395280024 | 395280524 | 395285024 | 395285524 | 60.00 | 2.362 | 55.00 | 2.165 |
| 26 | 395280026 | 395280526 | 395285026 | 395285526 | 65.00 | 2.559 | 60.00 | 2.362 |
| 28 | 395280028 | 395280528 | 395285028 | 395285528 | 70.00 | 2.756 | 65.00 | 2.559 |
| 30 | 395280030 | 395280530 | 395285030 | 395285530 | 75.00 | 2.953 | 70.00 | 2.756 |
| 32 | 395280032 | 395280532 | 395285032 | 395285532 | 80.00 | 3.150 | 75.00 | 2.953 |
| 34 | 395280034 | 395280534 | 395285034 | 395285534 | 85.00 | 3.346 | 80.00 | 3.150 |
| 36 | 395280036 | 395280536 | 395285036 | 395285536 | 90.00 | 3.543 | 85.00 | 3.346 |
| 38 | 395280038 | 395280538 | 395285038 | 395285538 | 95.00 | 3.740 | 90.00 | 3.543 |
| 40 | 395280040 | 395280540 | 395285040 | 395285540 | 100.00 | 3.937 | 95.00 | 3.740 |
| 42 | 395280042 | 395280542 | 395285042 | 395285542 | 105.00 | 4.134 | 100.00 | 3.937 |
| 44 | 395280044 | 395280544 | 395285044 | 395285544 | 110.00 | 4.331 | 105.00 | 4.134 |
| 46 | 395280046 | 395280546 | 395285046 | 395285546 | 115.00 | 4.528 | 110.00 | 4.331 |
| 48 | 395280048 | 395280548 | 395285048 | 395285548 | 120.00 | 4.724 | 115.00 | 4.528 |



| TOLERANCES | | | |
|------------|-------|-----------|-------|
| MM | TOL | INCH | TOL |
| 0-6 | ±0.25 | 0-.24 | ±.010 |
| >6-30 | ±0.40 | .24-1.18 | ±.016 |
| >30-120 | ±0.50 | 1.18-4.76 | ±.020 |
| >120 | ±0.80 | >4.76 | ±.031 |

| | | |
|------------------------|---|------------------------------|
| SYMBOLS | THIS DRAWING CONTAINS INFORMATION THAT IS PROPRIETARY TO MOLEX ELECTRONIC TECHNOLOGIES, LLC AND SHOULD NOT BE USED WITHOUT WRITTEN PERMISSION | |
| | DIMENSION UNITS | SCALE |
| ▽ = 0 | MM/INCH | 3:1 |
| ▽ = 0 | CURRENT REV DESC: MIGRATION TO ECTR/NX | |
| ▽ = 0 | GENERAL TOLERANCES (UNLESS SPECIFIED) | |
| ▽ = 0 | 4 PLACES ± --- ± --- | EC NO: 620717 |
| ▽ = 0 | 3 PLACES ± --- ± SEE CHART | DRWN: ABENJAMINLW 2019/07/11 |
| ▽ = 0 | 2 PLACES ± SEE CHART ± SEE CHART | CHK'D: DACHAMMER 2019/07/16 |
| ▽ = 0 | 1 PLACE ± SEE CHART ± --- | APPR: JFMURPHY 2019/08/02 |
| □ = 0 | 0 PLACES ± --- ± --- | INITIAL REVISION: |
| ■ = 0 | ANGULAR TOL ± --- | DRWN: LROTHAUS 2006/01/09 |
| ▽ = 0 | DRAFT WHERE APPLICABLE MUST REMAIN WITHIN DIMENSIONS | APPR: JPAWLICK 2006/01/10 |
| THIRD ANGLE PROJECTION | | DRAWING |
| B-SIZE | | SERIES |
| 39528 | | MATERIAL NUMBER |
| SEE TABLE | | CUSTOMER |
| GENERAL MARKET | | SHEET NUMBER |
| 2 OF 2 | | |

molex

5.0MM, EURO DUAL HEADER,
HORIZONTAL, OPEN END, STACKABLE

PRODUCT CUSTOMER DRAWING

| | | | |
|-----------------|----------|----------|----------|
| DOCUMENT NUMBER | DOC TYPE | DOC PART | REVISION |
| SD-39528-001 | PSD | 001 | B2 |