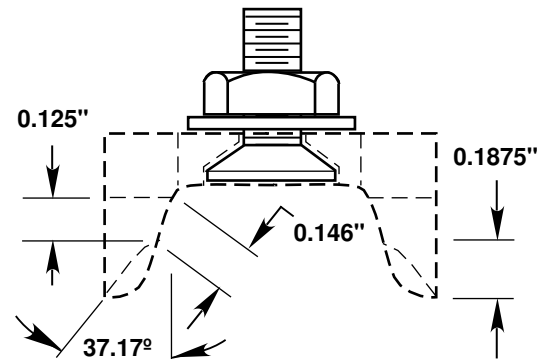
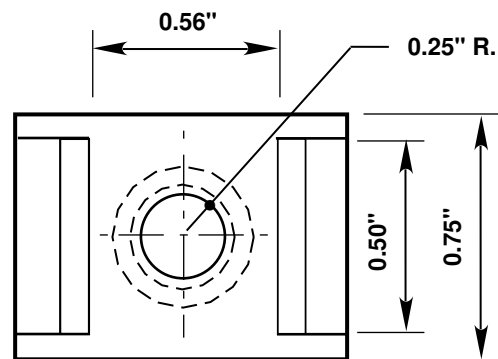


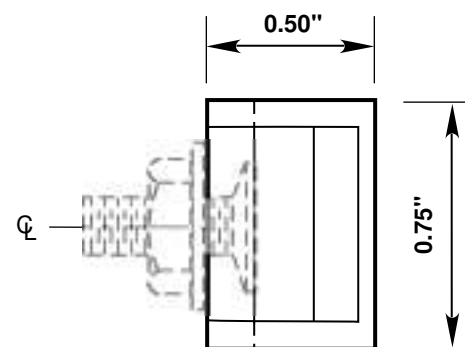
**SIDE VIEW
SADDLE W/O HARDWARE**



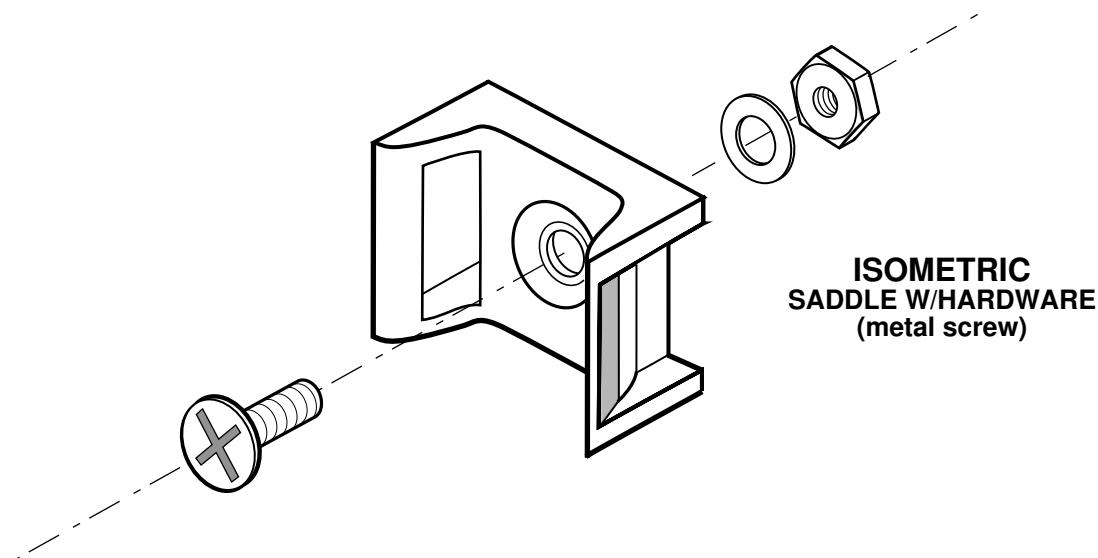
**SIDE VIEW
SADDLE W/HARDWARE**



**TOP VIEW
SADDLE W/O HARDWARE**



**END VIEW
SADDLE W/HARDWARE
(metal screw or wood screw)**

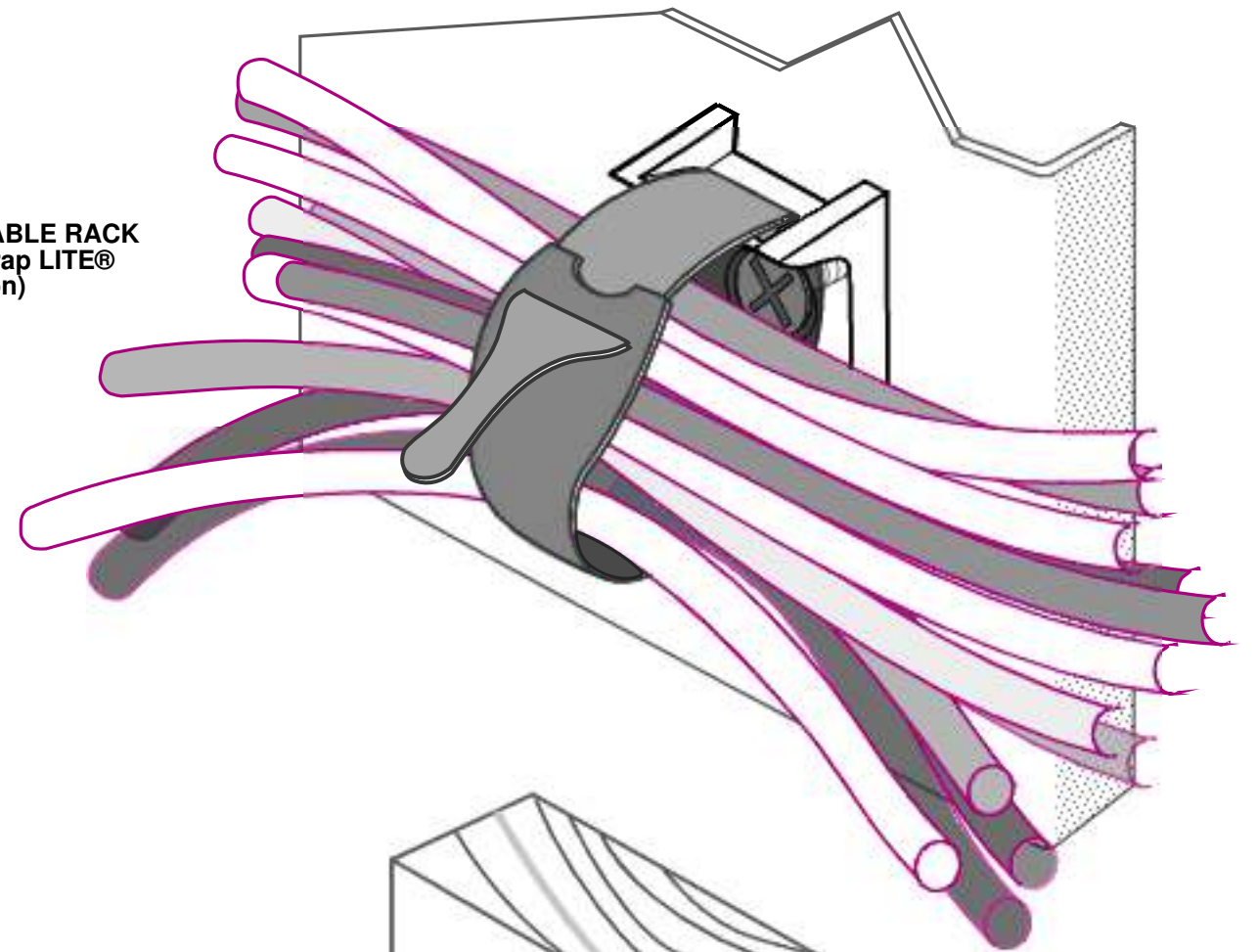


**ISOMETRIC
SADDLE W/HARDWARE
(metal screw)**

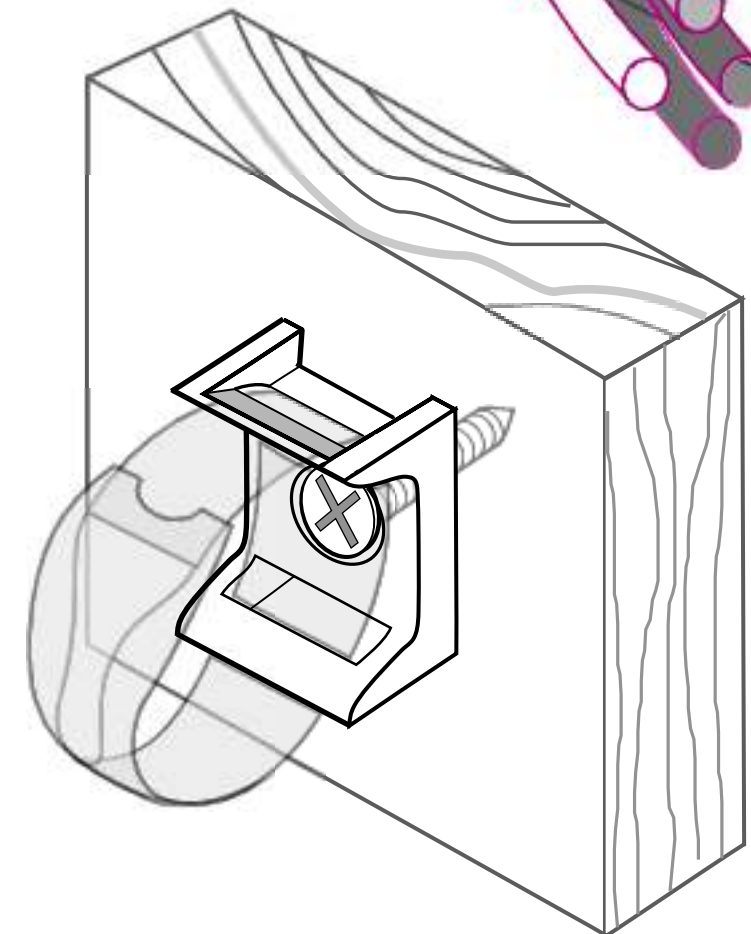
NOTES:

- Cable Saddle: Nylon
- Metal Screw: Phillips-head, flat machined-steel. 10-32 X 1/2.
- Hex Nut: Steel-machined, 10-32.
- Washer: #10 steel, flat washer.
- Wood Screw: Customer option.

**SADDLE ATTACHED TO CABLE RACK
USING 1/2" wide CableWrap LITE®
(metal screw option)**



**SADDLE ATTACHED TO WOOD
USING 1/2" wide CableWrap LITE®
(wood screw option)**



PROJECT:

DETAIL DRAWING: CABLE SADDLE®

FOR: A'n D CABLE PRODUCTS, Inc.

SCALE: 1 1/2"-1"(unless otherwise)

CAD OP NAME: A.R. WILLIAMS

SHEET: 1 OF 1