

# W16-111

## MECHANICAL CHARACTERISTICS:

CONTACT ARRANGEMENT: SPDT-DB(FORM Z).

CONTACTS: SILVER.

PRETRAVEL: 0.050inch MAX.

OVER TRAVEL: 0.012inch MIN.

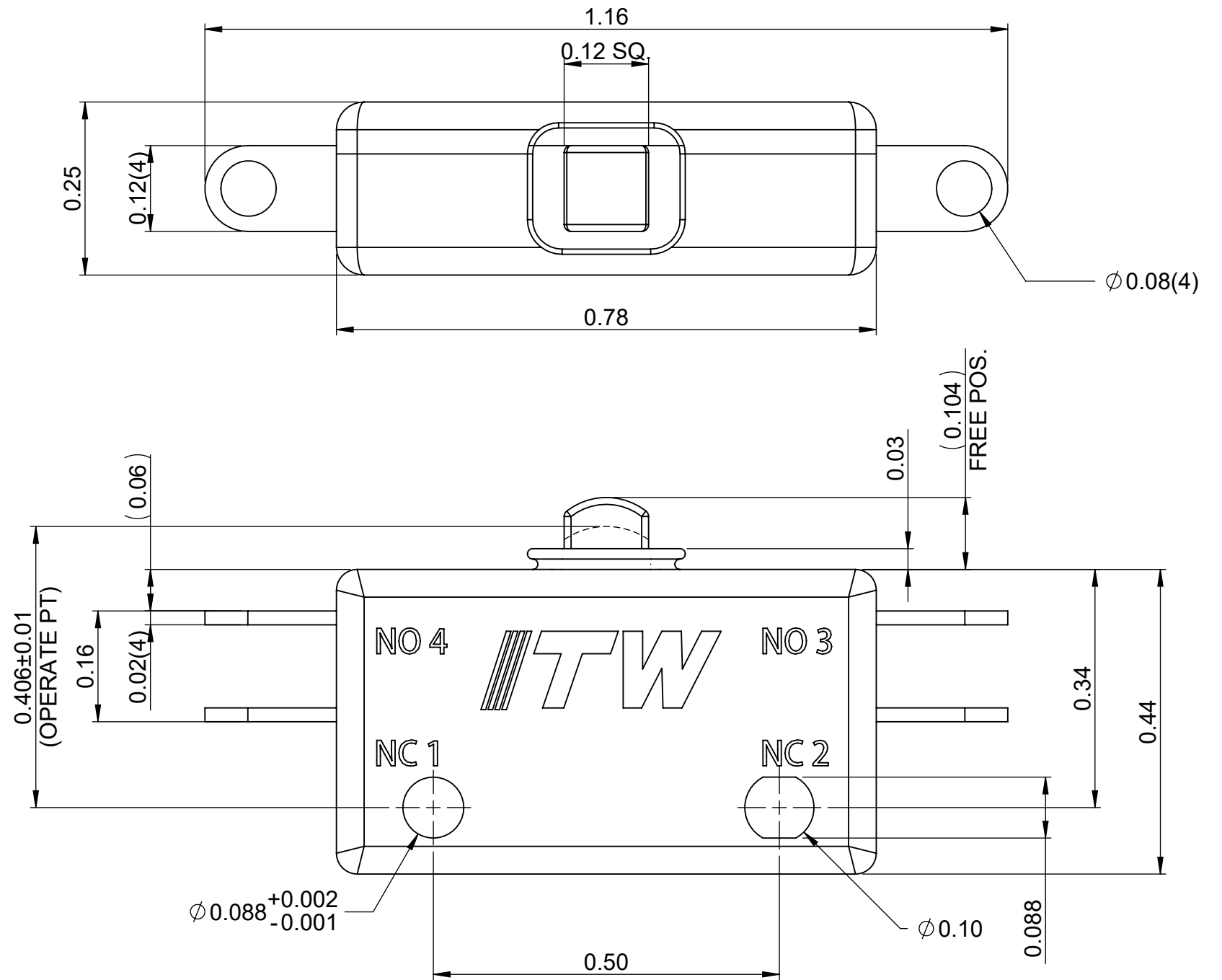
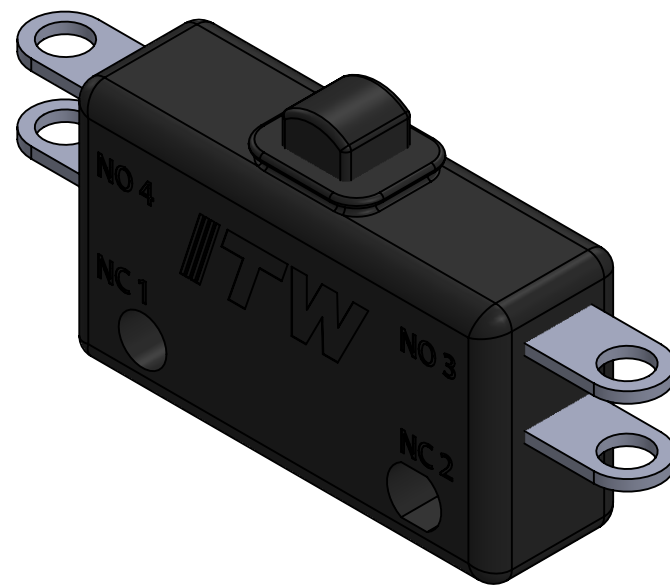
OPERATING FORCE:  $50z_{-2}^{+3}$

RELEASE FORCE: 1 oz MIN.

MOVEMENT DIFFERENTIAL:  $0.020 \pm 0.005$  inches.

AMBIENT TEMP. RANGE: -55°C to +125°C.

CONTACT RESISTANCE SPEC.: 0.025 OHM INITAIL.



DWG TYPE SALES DRAWING	DRAWN <i>K.Y.</i>	TOLERANCES: UNLESS OTHERWISE NOTED X.XXX ±.005 X.XX ± .01 ANGULAR ±1°	DWG TITLE T16 KAP END TERMINAL CONFIG							
STATUS RELEASE	REVIEW <i>v.w.</i>		DWG NO. W16-111							
<small>This document is the intellectual property of ITW Electronic Business Asia Co., Limited and may contain confidential, proprietary, privileged information protected by law. Neither this document nor any information it contains can be reproduced, transformed to any other format, or distributed, without written permission by ITW Electronic Business Asia Co., Limited. 本文作為安達維百電股份有限公司之智慧財產，非經許可不得翻取、複製、轉變成其他形式使用或散佈。</small>			THIRD ANGLE PROJECTION 	REF: 16-111(B-1)	<input checked="" type="checkbox"/> 管制文件 <input type="checkbox"/> 非管制文件	Unit inch	SCALE -	REV 1	RoHS Compliant	SHEET 1 OF 2
			DATE 2021/6/7							

## REVISION RECORD

REV.	DESCRIPTION	DATE	DRAWN BY	DOCUMENT NO.
1	1. REORGANIZE 16-111 DRAWING INTO EBA SYSTEM.(FROM 16-111_Rev.B-1)	2021/6/20	K.Y.	DCN-202100055

DWG TYPE <b>SALES DRAWING</b>	DRAWN <i>K.Y.</i>	TOLERANCES: UNLESS OTHERWISE NOTED X.X ± X.XX ± .01 ANGULAR ±1°	DWG TITLE <b>T16 KAP END TERMINAL CONFIG</b>						
STATUS <b>RELEASE</b>	REVIEW <i>V.W.</i>		DWG NO. <b>W16-111</b>						
<small>This document is the intellectual property of ITW Electronic Business Asia Co., Limited and may contain confidential, proprietary, privileged information protected by law. Neither this document nor any information it contains can be reproduced, transformed to any other format, or distributed, without written permission by ITW Electronic Business Asia Co., Limited.            本文件為安天德百電股份有限公司之智權財產，非經許可不得翻印、複製、轉變成其他形式使用或散佈。</small>			DATE 2021/6/7	REF: 16-111(B-1)	<input checked="" type="checkbox"/> 管制文件 <input type="checkbox"/> 非管制文件		Unit inch	SCALE -	REV 1