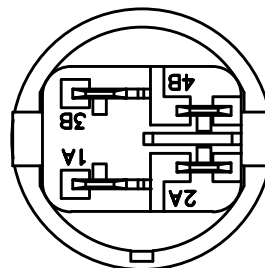
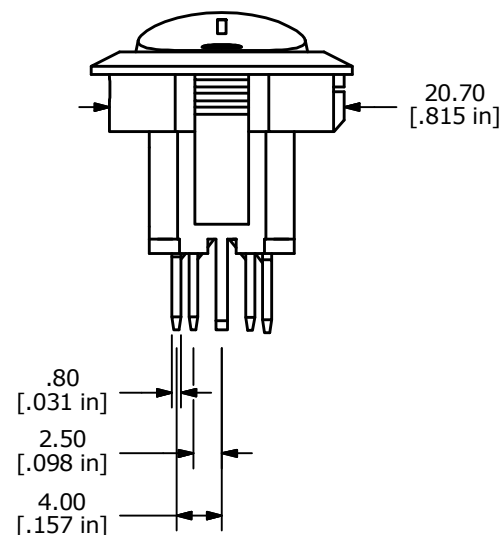
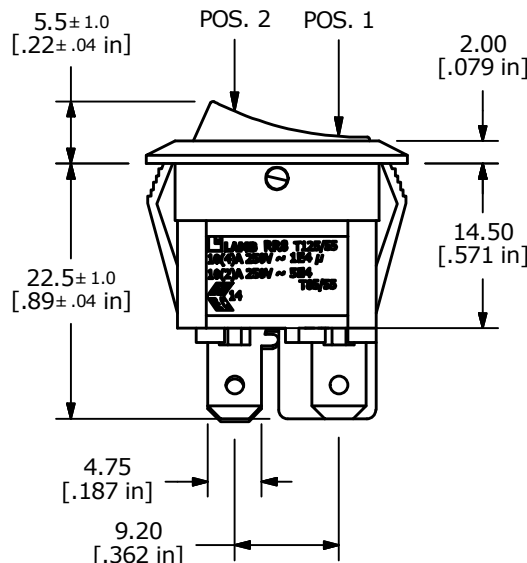
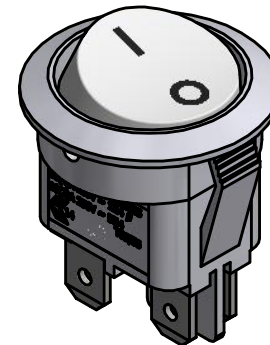
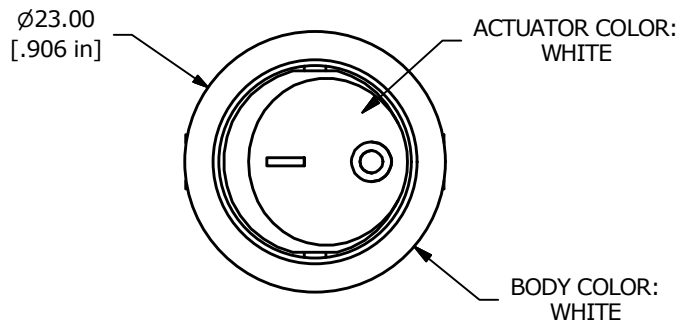
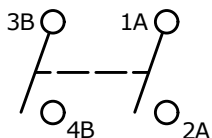


▲ PANEL CUTOUT

| PANEL THICKNESS | (X) DIM. |
|-----------------|----------|
| 0.75 TO 1.25 | 20.2mm |
| 1.25 TO 2.00 | 20.4mm |
| 2.00 TO 3.00 | 20.6mm |



| SWITCH FUNCTION | |
|-----------------|-----------------|
| POS. 1 | POS. 2 |
| | |
| OFF | ON |
| OPEN | 3B-4B, 1A-2A |



CIRCUIT: DPST
FUNCTIONS
▲ OFF - ON

NOTE:

- DIMENSIONS IN MM [INCH]
- GENERAL TOLERANCE: X.X = ± 0.4
X.XX = ± 0.25
- TERMINAL NUMBERS FOR REF ONLY
- CONTACT MATERIAL: SILVER
- CONTACT RATING: 16A 125VAC [UR, cUR]
10A 250VAC [UR, cUR]
1/3HP 125/250VAC [UR, cUR]
10(4)A 250V~1E4 T125/55 [ENEC14]
10(2)A 250V~5E4 T85/55 [ENEC14]
- CONTACT RESISTANCE: 35mΩ MAX. @ 50VAC
- INSULATION RESISTANCE: 100MΩ MIN. @ 500VAC
- DIELECTRIC STRENGTH: 1,500VAC FOR 1 MINUTE
- ELECTRICAL LIFE: 6,000 CYCLES [UR, cUR]
10,000 CYCLES [ENEC14: 10(4)A 250V~]
- OPERATING TEMPERATURE: -20°C TO 105°C [UR, cUR]
-20°C TO 125°C [ENEC14]
- ▲ DENOTES CRITICAL PARAMETER
- 2011/65/EU (ROHS) COMPLIANT



| | | | | |
|-----|--------|----------------------|---------|-----|
| E | 23472 | REMOVED SEMKO RATING | 7/24/18 | MJR |
| D | 22403 | ADDED BOTTOM VIEW | 7/22/16 | MJR |
| REV | PCR NO | DESCRIPTION | DATE | BY |

| | | | | |
|------------------|---------------|--------|-------------------|-------|
| TITLE RR812C2211 | | | | |
| SCALE 3:2 | DATE 3/8/2012 | DR BGL | DWG 38-RR812C2211 | REV E |